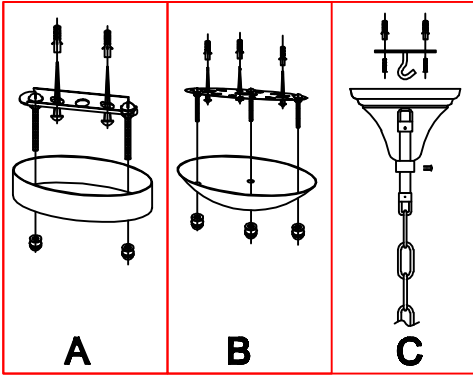
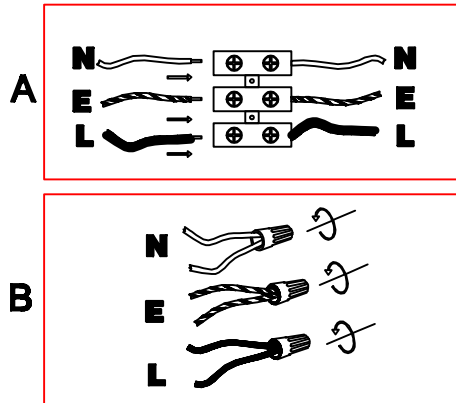


### Ceiling installation schematic

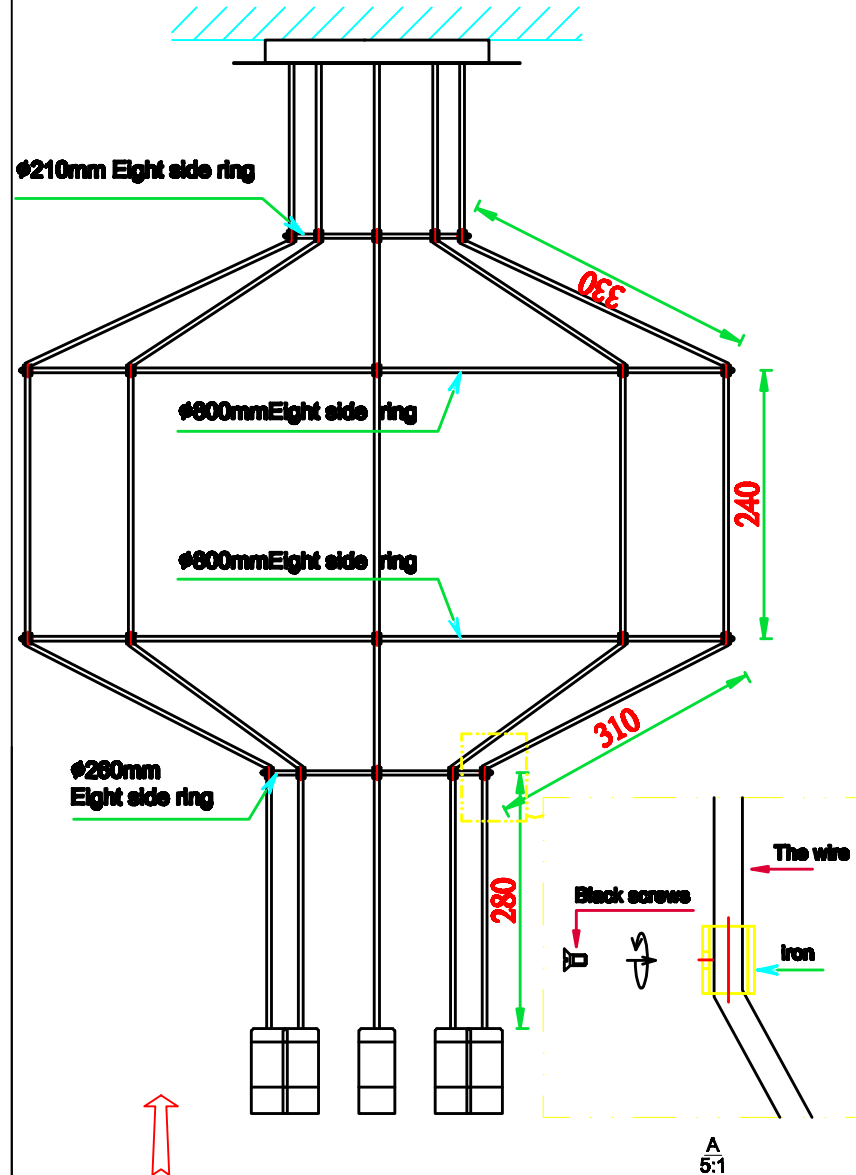


### Wiring diagram



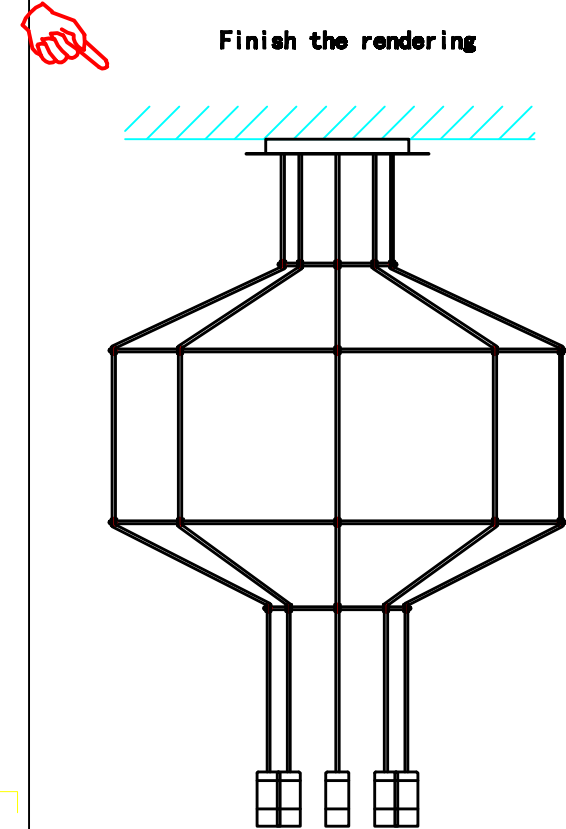
### Installation procedure

1. Measure the distance first, then put the wire into the wire frame and set the distance. Screw down with screws.
2. Check whether the power cord is intact after all the wire frames are in place. According to wiring diagram of wiring diagram.
3. Adjust the lamp body and test the electricity.



Install it from the bottom up

### Finish the rendering



### Install the matters needing attention

- 1: the lamps and lanterns is suitable for use in the 220 v ~ 240 v power supply, 50 Hz
- 2: please wearing gloves when installing, avoid scratch surface of lamps and lanterns and power lines.
- 3: do not install in the ceiling had not been dried, and environment should be ventilated and dry.
- Class 4: lamps and lanterns is not close to acid and alkali corrosive chemical objects and gases.
- Shall not wash with water, only use a clean soft cloth to wipe.
- 5: clean lamps and lanterns and replacement bulbs, should cut off power supply.