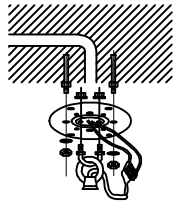


Installation instructions and illustrations:

After you open the packing box, please check the parts in the box carefully by comparing the drawings. If not, please contact the customer service promptly.

Installation Step 1



1. Mark the position of hanging plate hole on the top of cement.
2. According to the size of the expansion screw, open a hole on the cement ceiling, and then knock the expansion screw into the ceiling hole, with the M6 teeth exposed
3. Remove the nut, fix the hanging plate on the expansion screw, then pad the gasket, and then lock the hanging plate on the ceiling with the nut to ensure that the connection between the hanging plate and the expansion screw is enough to bear the weight of the lamp body!

Installation Notes:

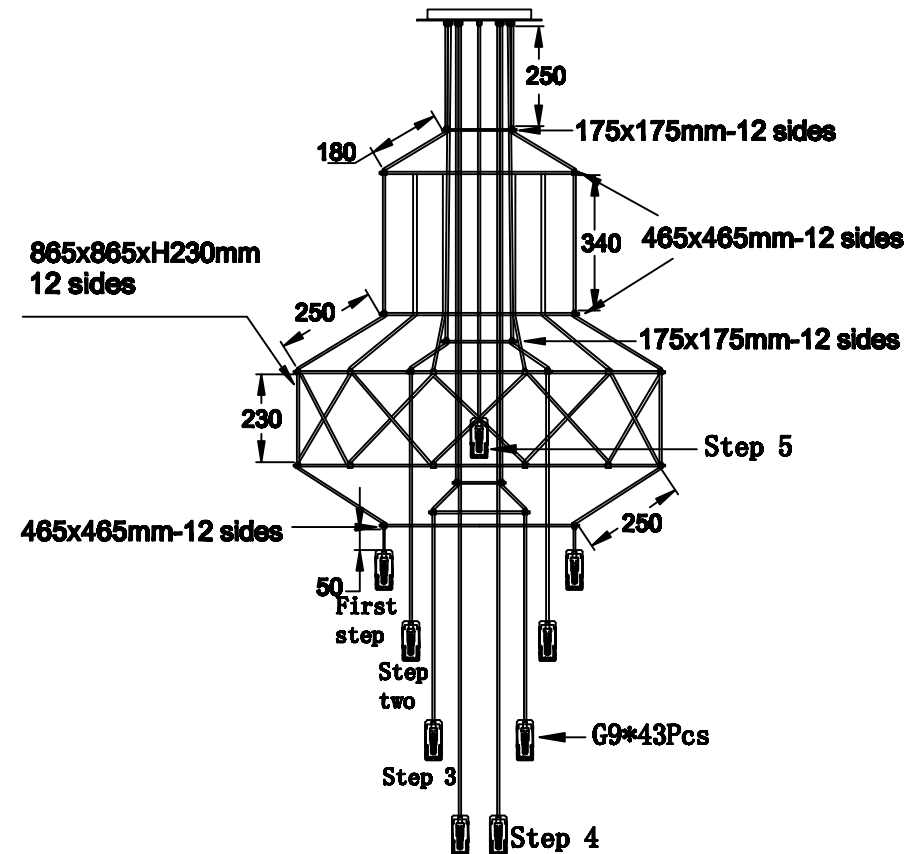
- 1: Suitable for 220 v-240 V 50 Hz power supply, lamp power less than 60 W.
- 2: Please wear gloves during installation to avoid scratching the surface of lamps and wires.
- 3: Do not install on wet ceiling. The installation environment should be ventilated and dry.
- 4: The lamp should not be cleaned with water or acid or gas. Only wipe with a clean soft cloth.
- 5: It should be installed by a professional electrician
- 6: When cleaning lamps and changing bulbs, the power supply should be cut off.

Installation steps:

1. As shown in the right picture, install the lamp parts first.
2. Wiring method, which connects the same color wires of each lamp head. Then connect with the zero-fire line separately.
3. When installing, the glass is fragile. Take care to handle it lightly.
4. After the lamp body is installed, check whether it is locked on the ceiling.
5. Cut off the power supply when installing or replacing the light source.

Installation plan of chandelier Model: 43head-Ø900*H2000

The screw should  Solid wall smallpox fasten the hanging plate



Installation instructions for pendant lamps

(Note: This instruction is for reference only! Actual products are based on physical objects.)