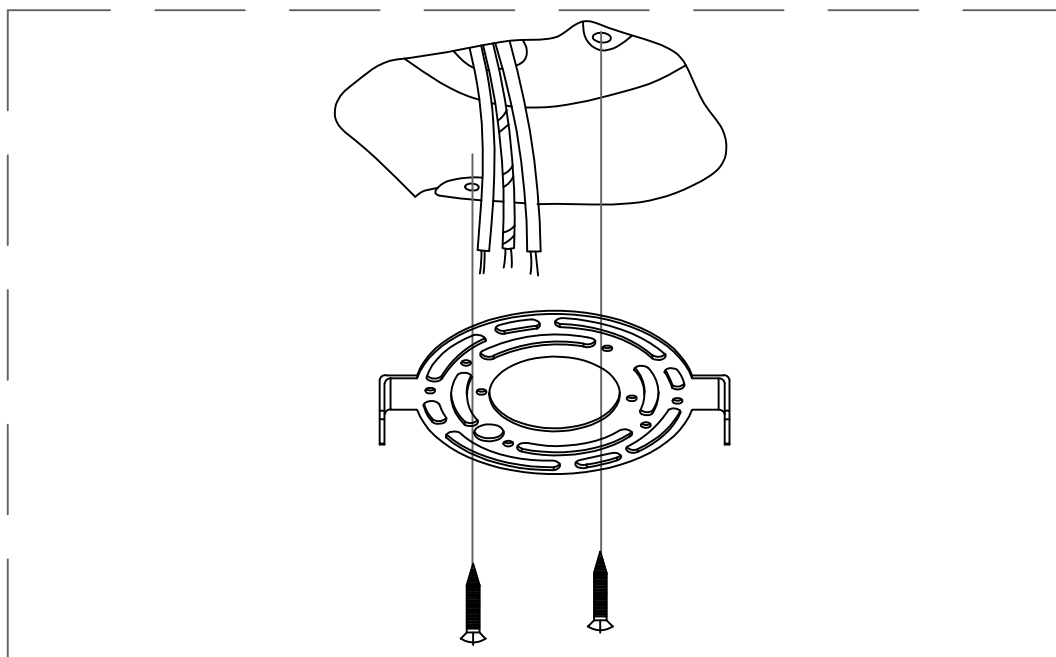
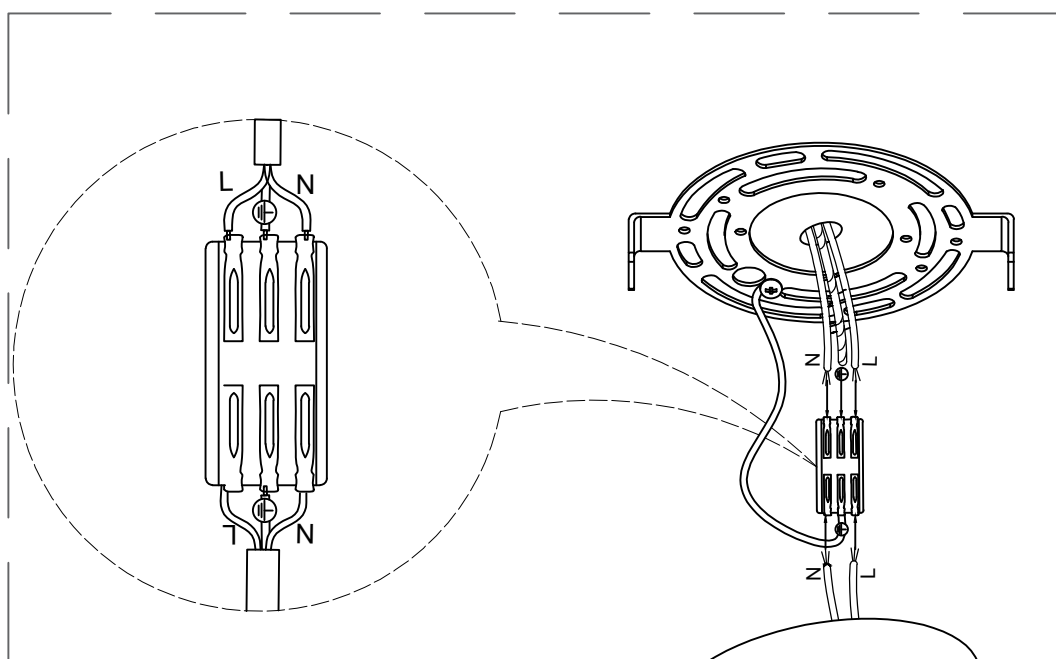


1

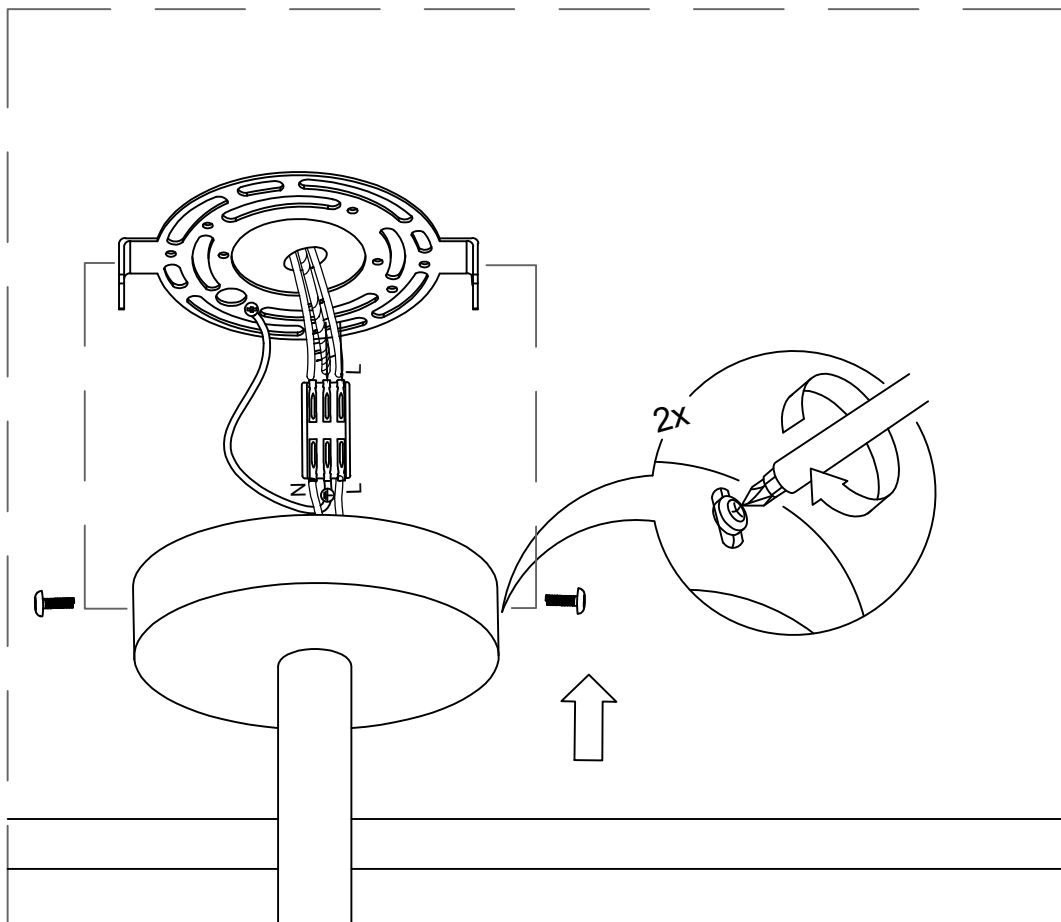
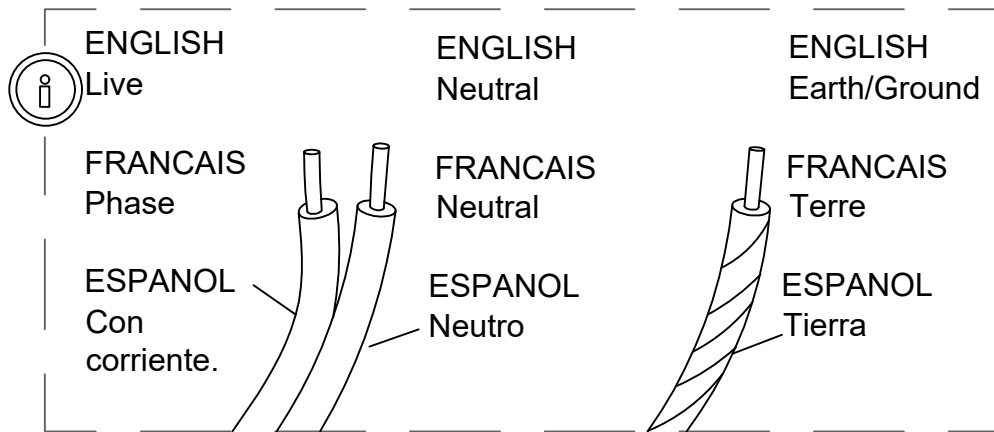


Fix the hanging plate to the wall with screws



The wires in the home are connected to the wires in the lamps through the wire terminals

2



Use screws to fix the lamp body to the wall bracket