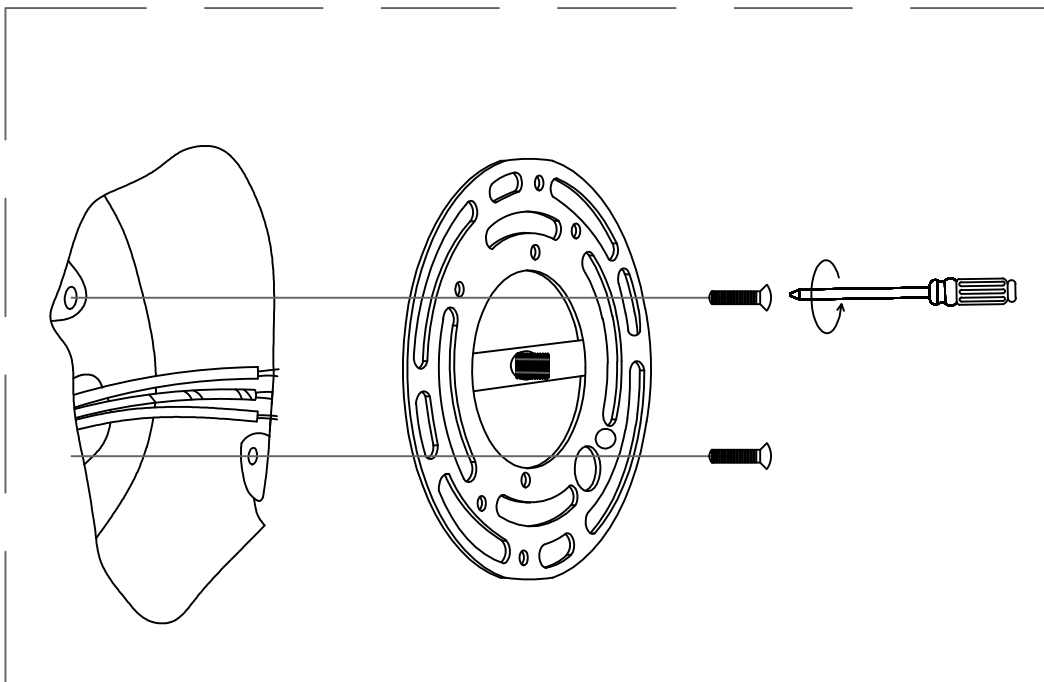


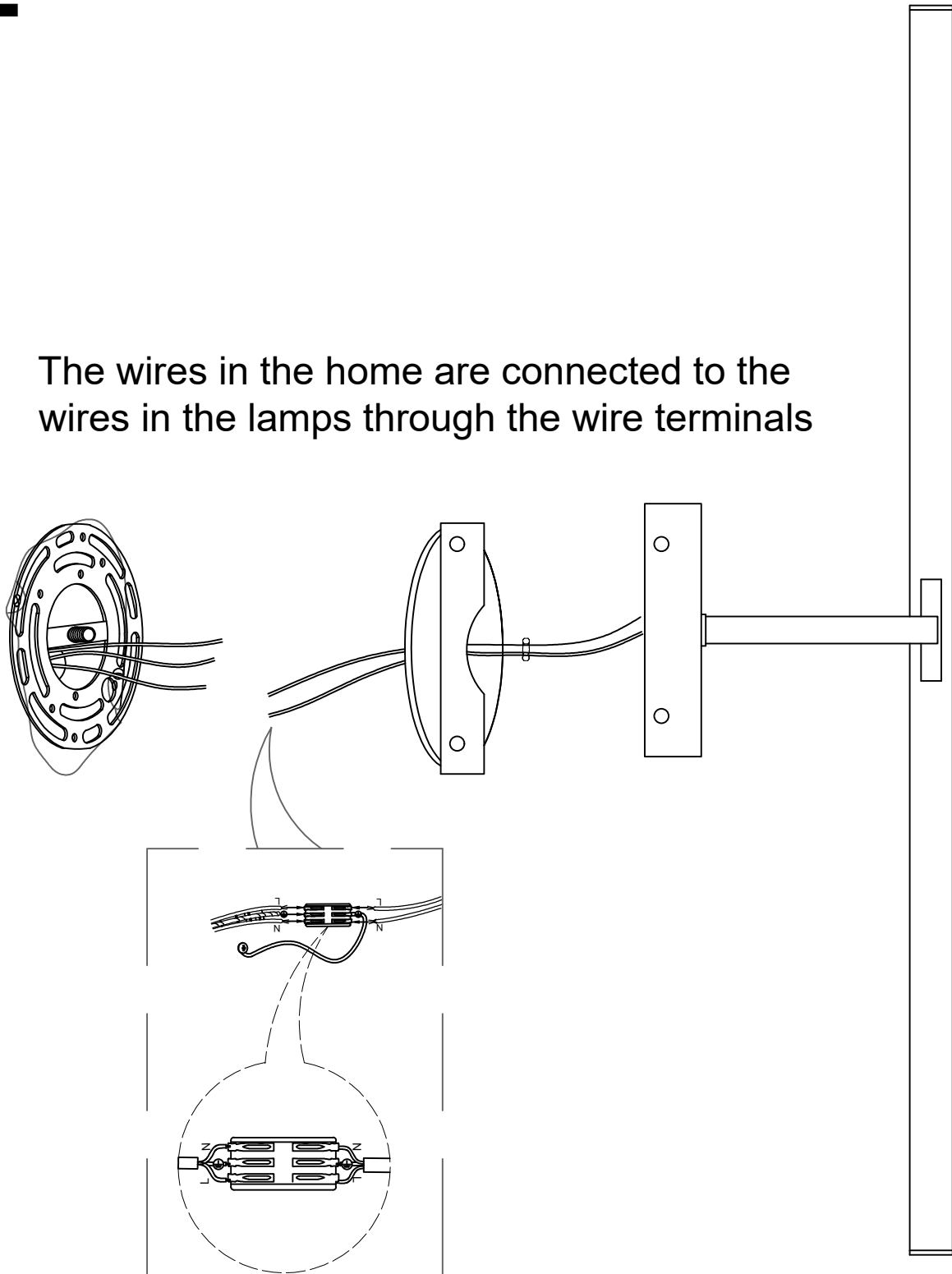
# 1



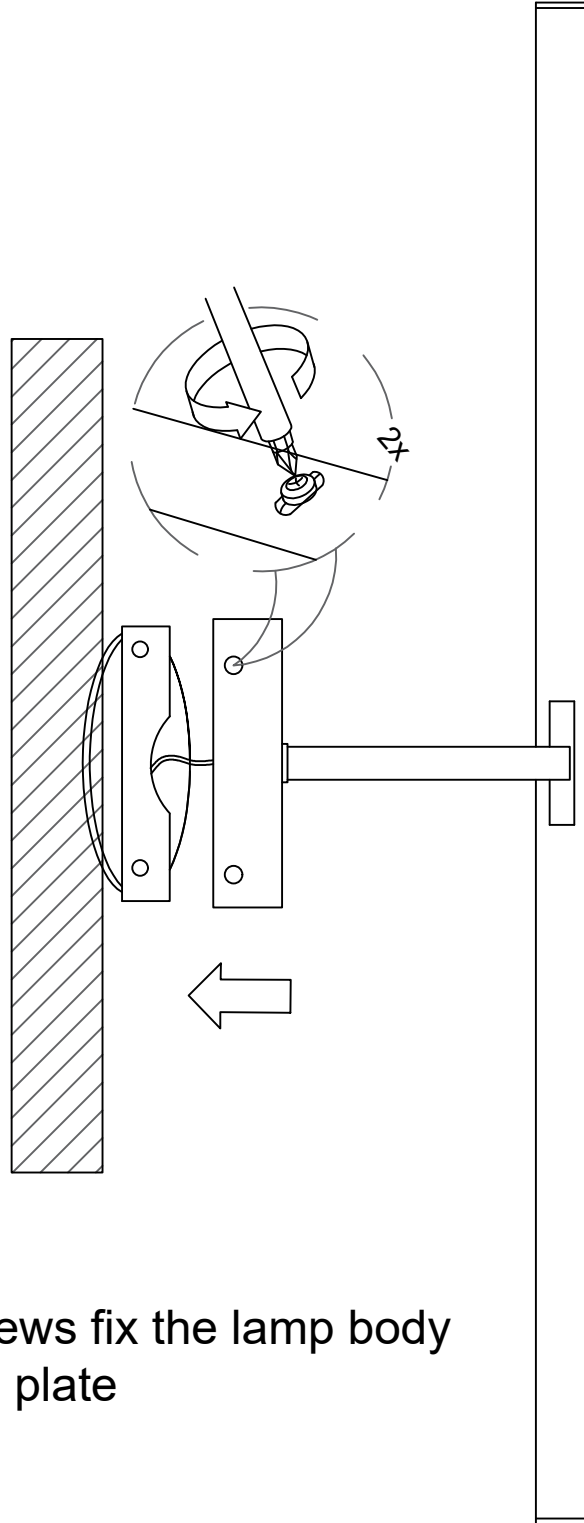
Fix the hanging plate to the wall with screws

# 2

The wires in the home are connected to the wires in the lamps through the wire terminals



# 3



The side screws fix the lamp body to the ceiling plate