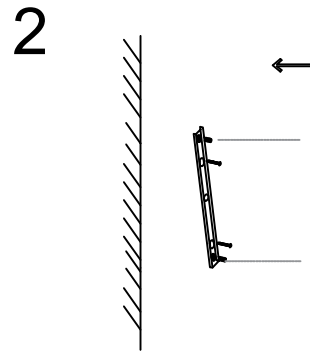
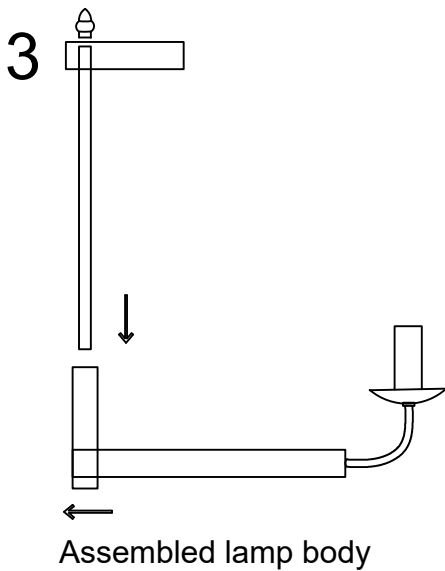


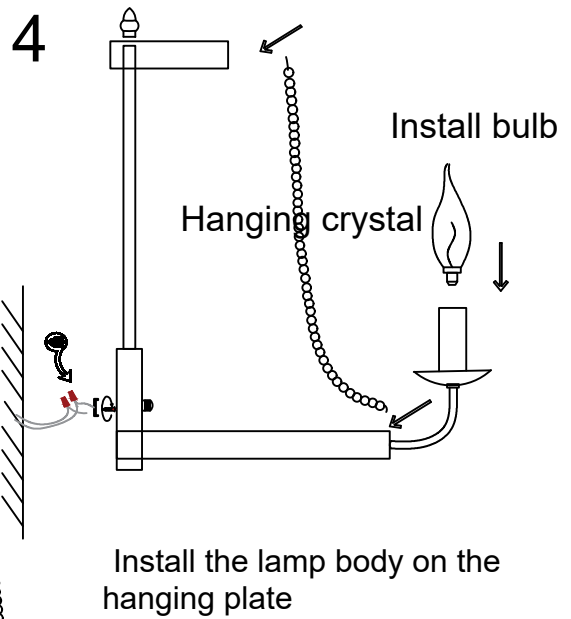
Drill holes in the wall and
insert expansion screws



Install the hanging plate on
the wall



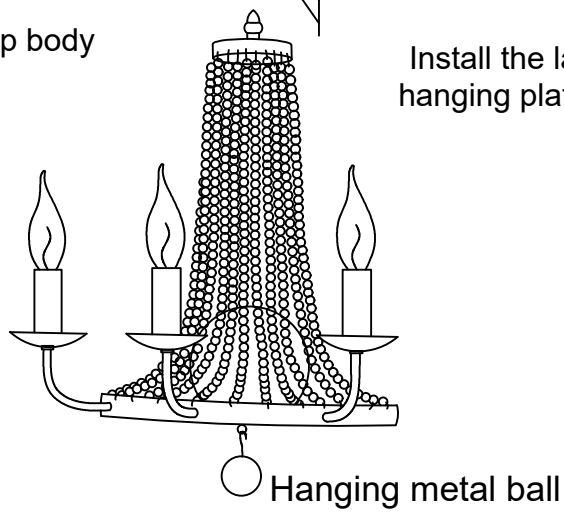
Assembled lamp body



Install bulb

Hanging crystal

Install the lamp body on the
hanging plate



Hanging metal ball

Note: Please turn off the power before installing the lamp