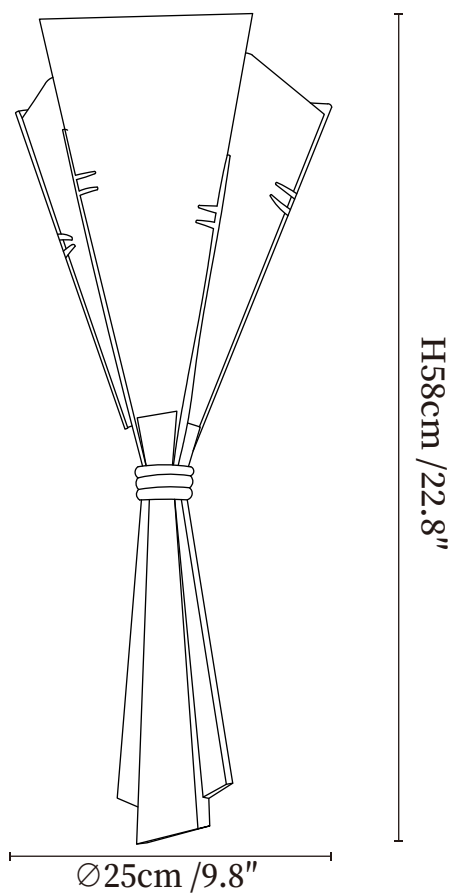


# SPECIFICATION SHEET

---



## SPECIFICATION DETAILS

\*For custom options, consult factory for details

<b>Fixture Dimensions</b>	$\text{Ø} 6.3'' \times \text{H} 15.4'' \text{Ø} 9.8'' \times \text{H} 22.8''$
<b>Light source</b>	E26 or E27 (bulb not included)
<b>Wattage</b>	MAX 40W incandescent bulb or LED equivalent.
<b>Voltage</b>	AC 110-240V
<b>Mounting</b>	Hardwired.
<b>Dimming</b>	Compatible with dimmable bulbs (bulb not included)
<b>Control method</b>	Compatible with common wall switches (not included)
<b>Finishes</b>	Chrome.
<b>Shade Details</b>	White.
<b>Material</b>	Metal, Alabaster.