

# INSTALLATION INSTRUCTIONS

## CAUTION

Turn off the power to the main circuit panel before starting.

## CAUTION

The light source for this product is a non-replaceable LED. Do not disassemble the product, as the LED may damage your eyes.

Do not immerse in water.



## WARNINGS

Failure to follow assembly instructions may result in a fire or electric shock hazard.

## CAUTION

Pulling the light fixture out of the surface may cause personal injury and damage to the fixture and/or the mounting surface. To reduce the likelihood of such injury or damage, install it only on surfaces with intact mechanical structures.



## WARNINGS

Different materials require different fittings. Always select screws and plugs specifically matched to the material.



## WARNINGS

Failure to follow assembly instructions may result in a fire or electric shock hazard.

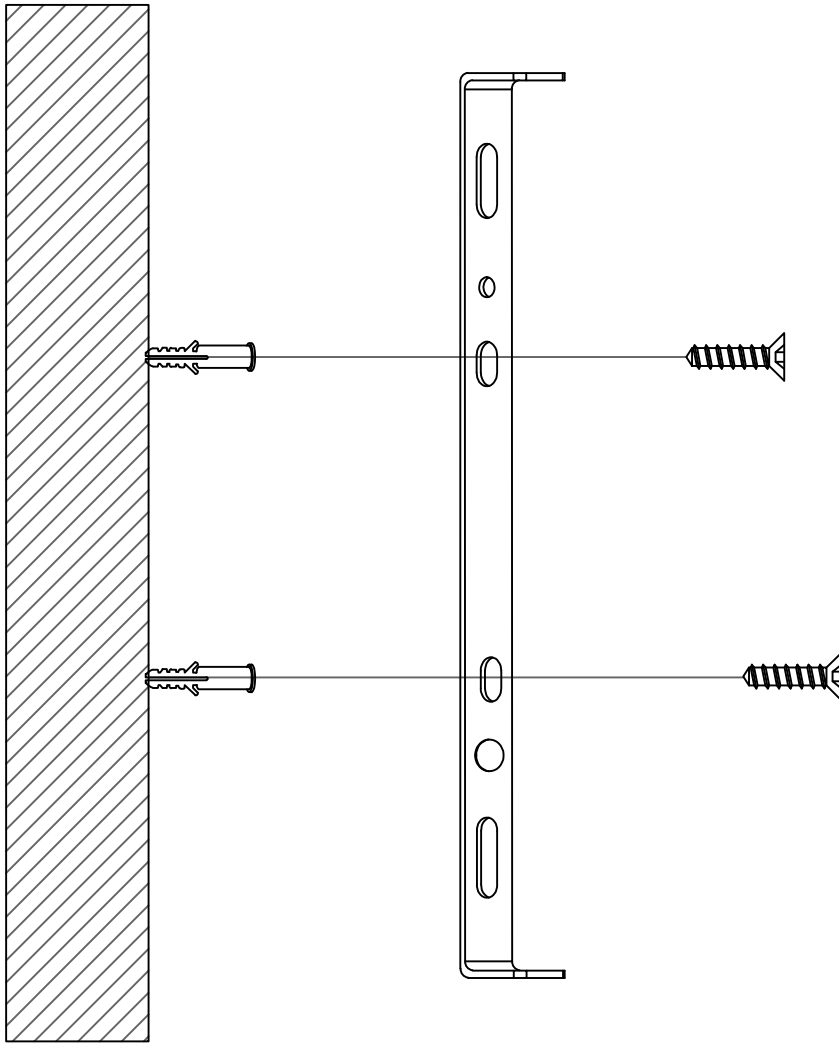


## WARNINGS

Choking hazard. Keep the power cord at least 3 feet away from cribs, bassinets, and toddler beds.

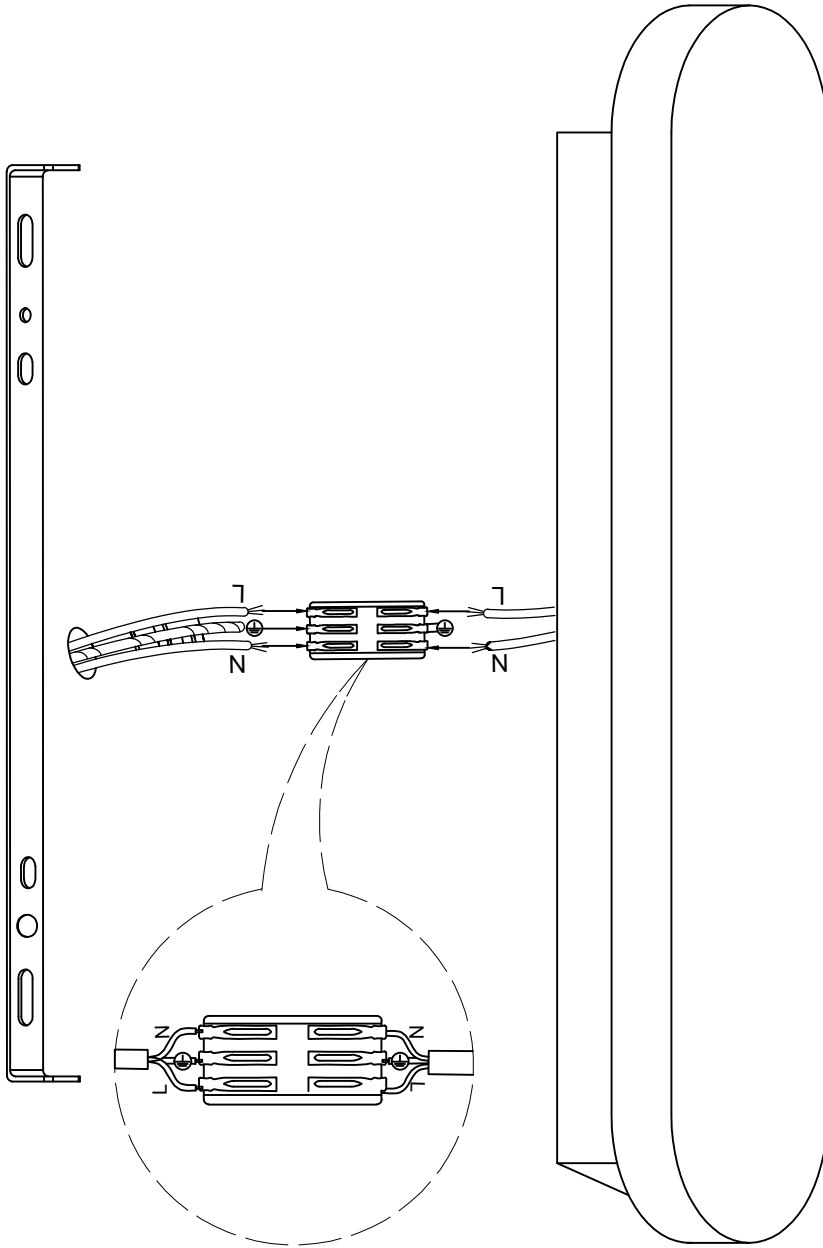
THIS PRODUCT IS NOT A TOY AND HAS NO PLAY VALUE.

# 1



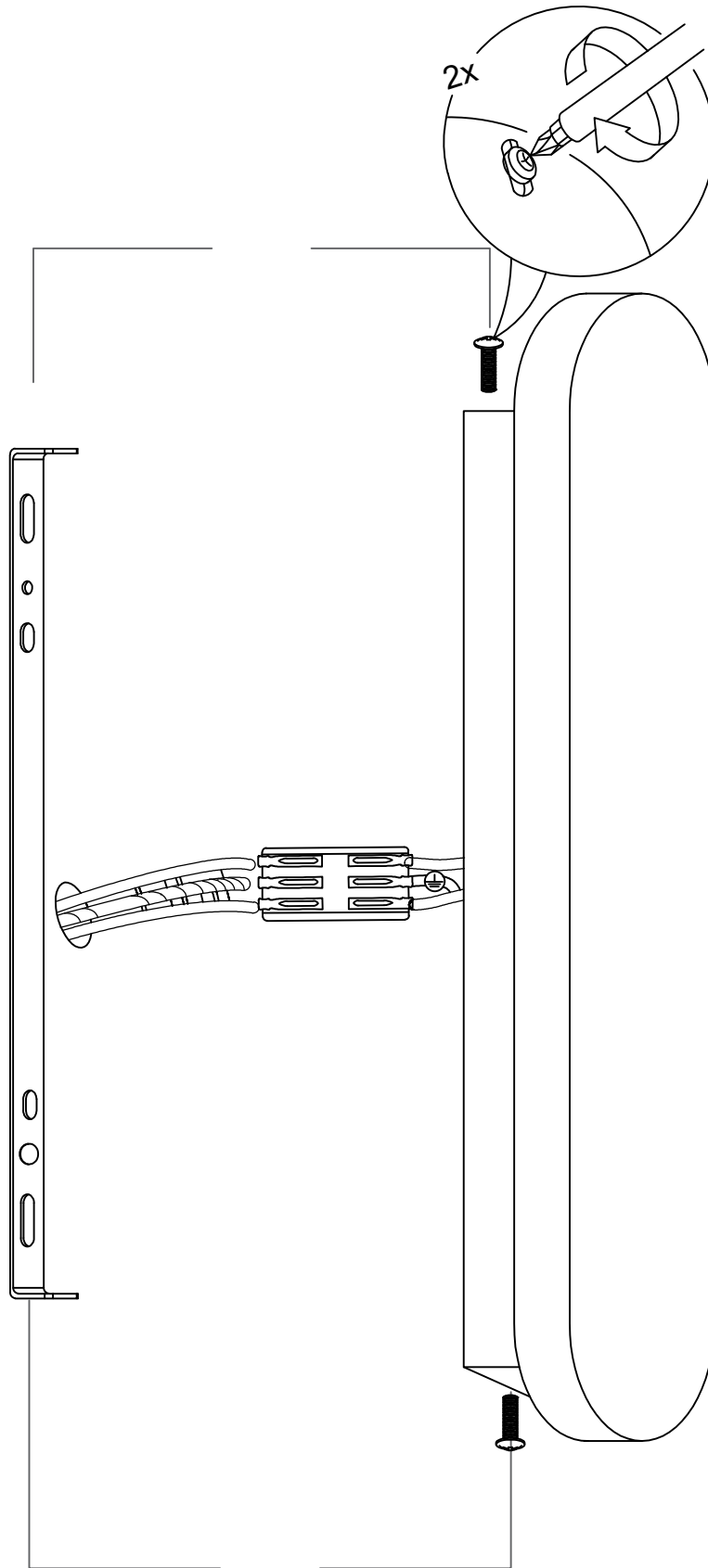
Fix the hanging plate to the wall with screws

# 2



The wires in the home are connected to the wires in the lamps through the wire terminals

# 3



The side screws fix the lamp body to the ceiling plate