

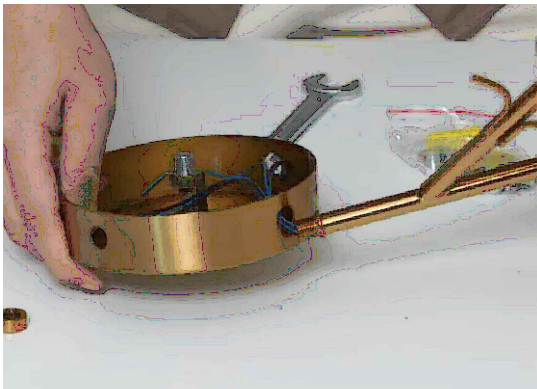
2

①



Remove all accessories and set them up

②



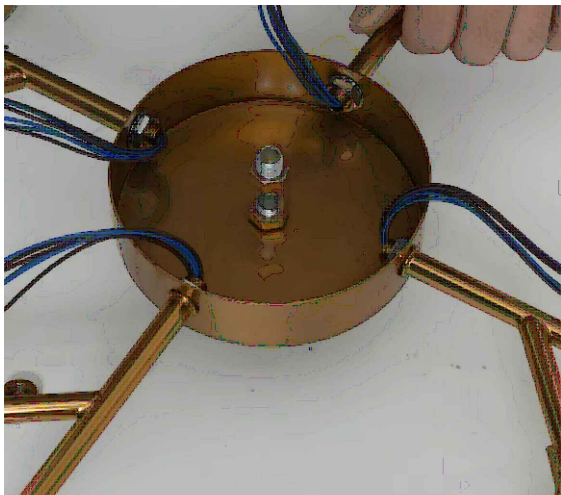
insert

③

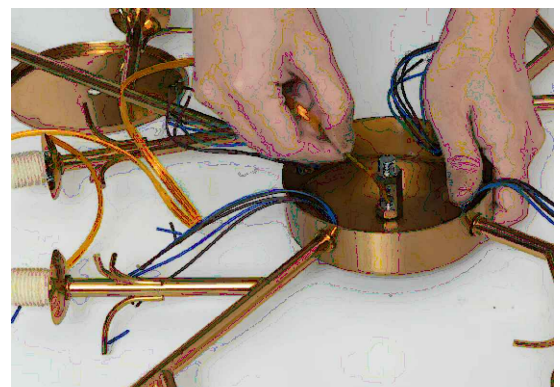


Nut fixing

④

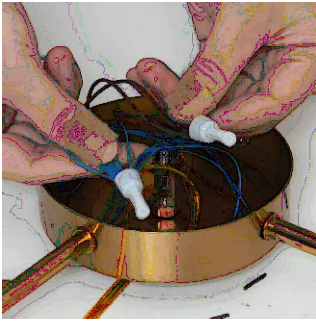


⑤



Nestled into the main line

3  
⑥



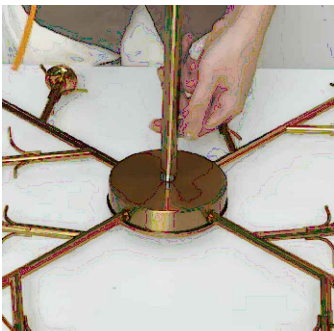
Wires of the same color are joined together

⑦



Covered, fixed

⑧



Twist into the center post

⑨



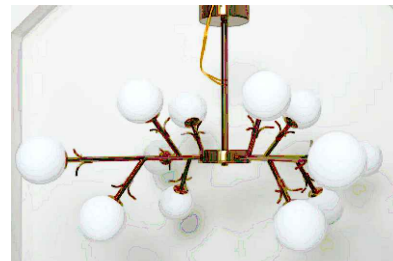
Insert the light source

⑩

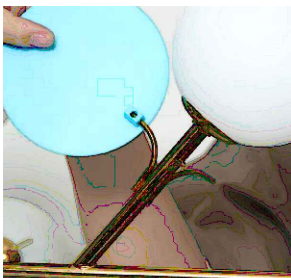


Twist on the lampshade

⑪

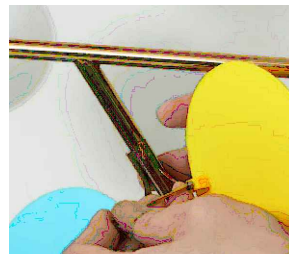


⑫



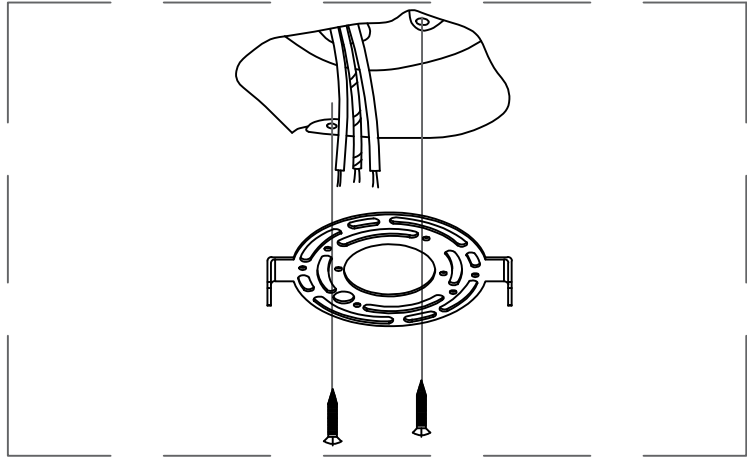
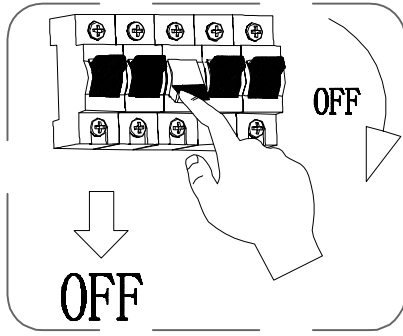
Insert the decorative piece

⑬

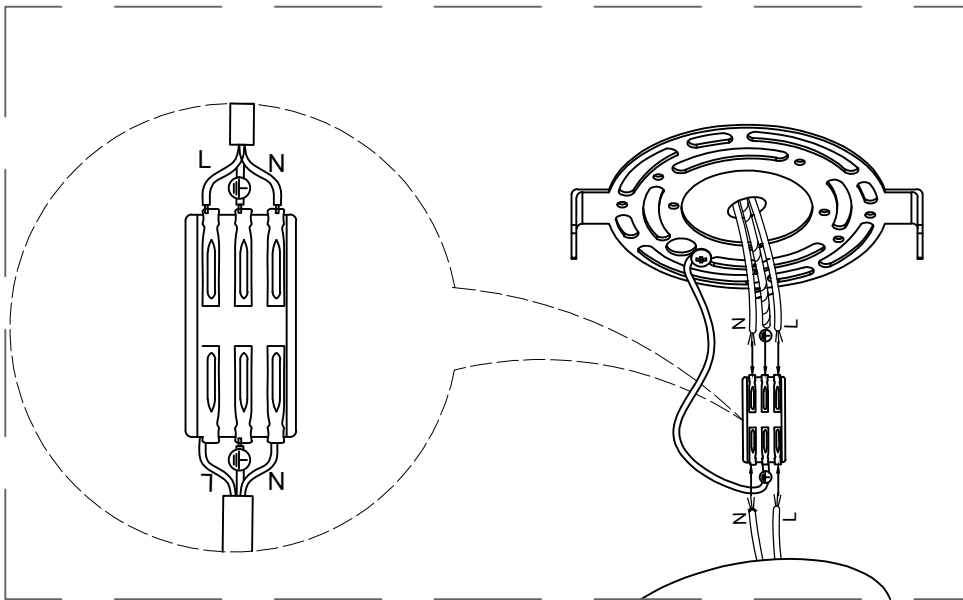
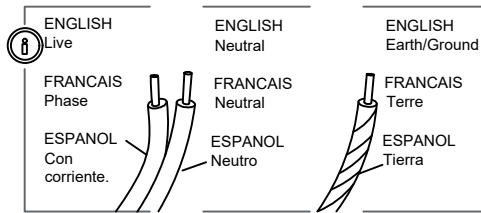


Small screws fix the trim

4

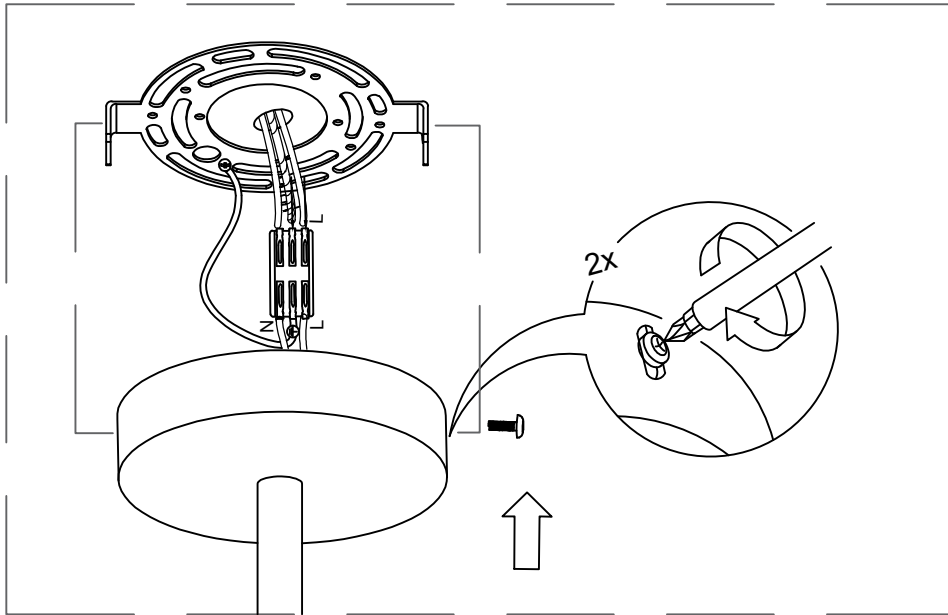


Fasten the hanging board to the ceiling with screws



The wires in the home are connected to the wires in the lamps through the wire terminals

5



The side screws fix the lamp body to the ceiling plate

