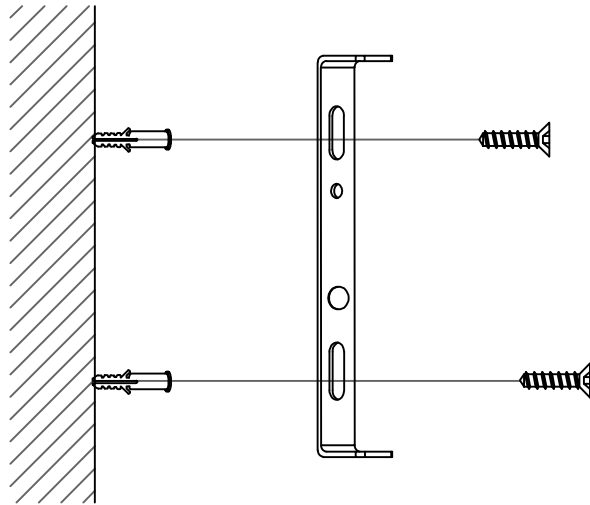
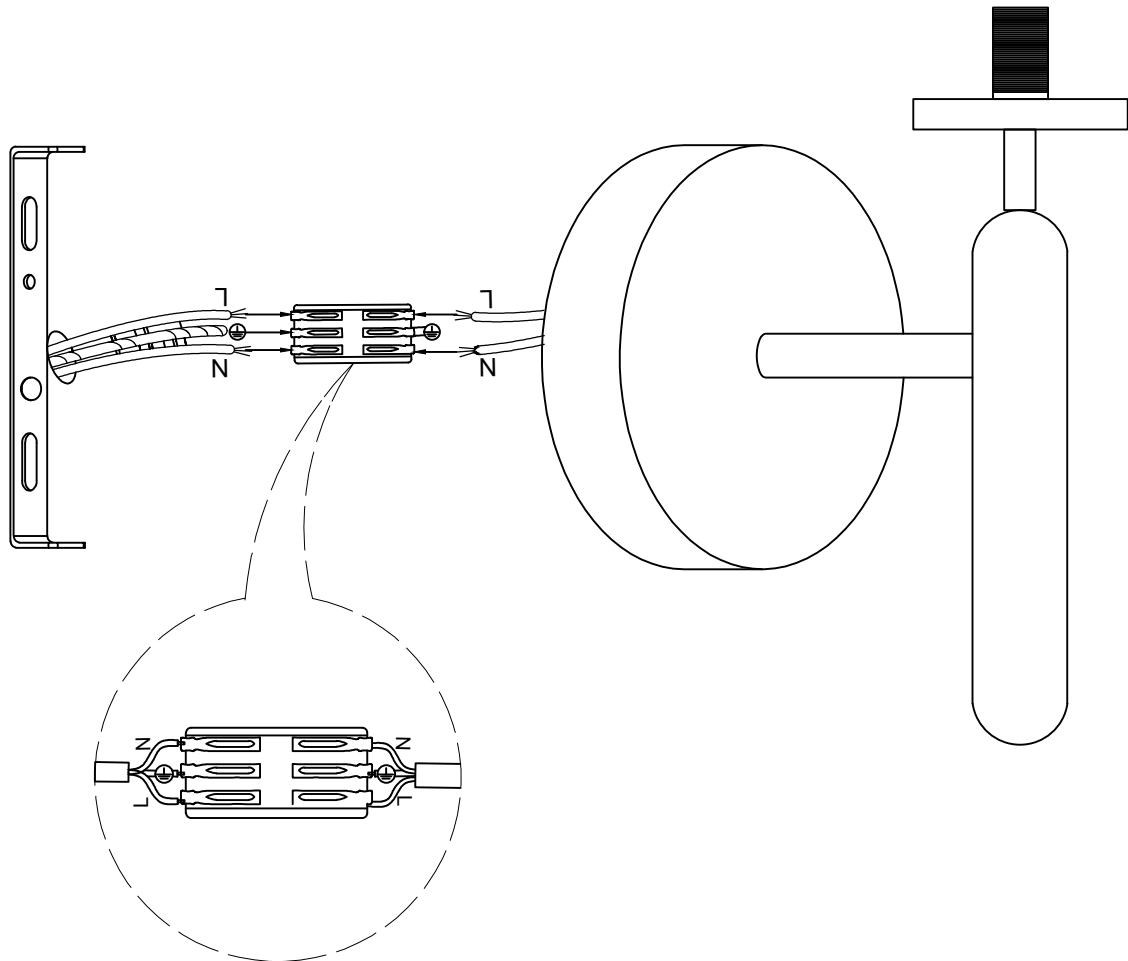
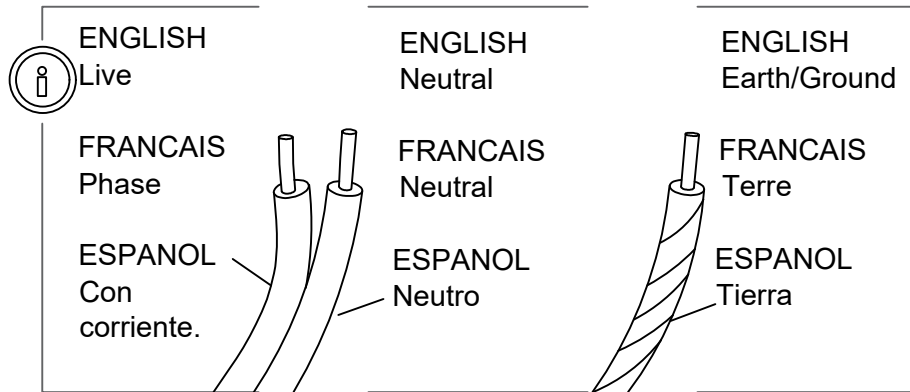


1



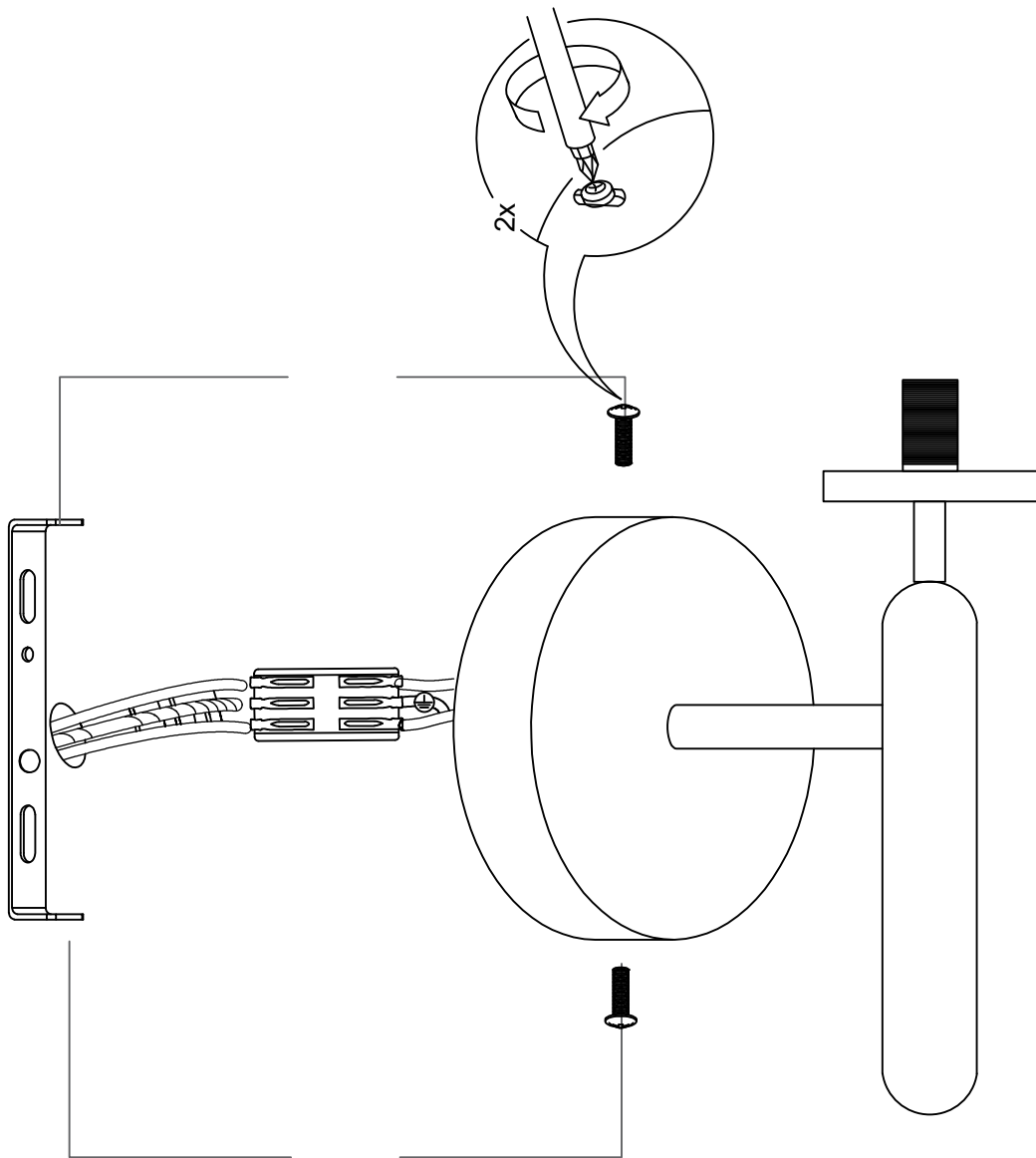
Fix the hanging plate to the wall with screws

2



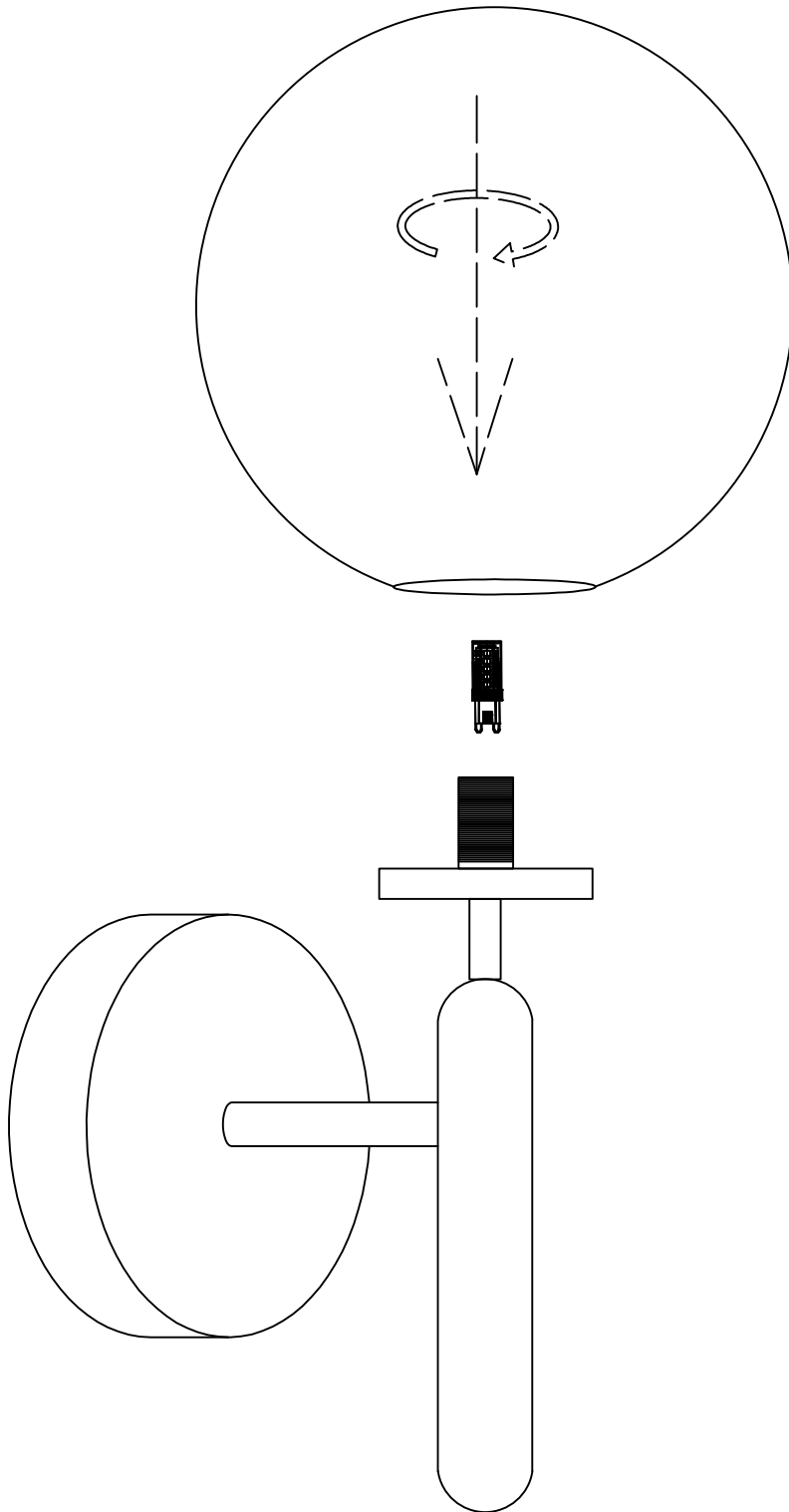
The wires in the home are connected to the wires in the lamps through the wire terminals

3



The side screws fix the lamp body to the ceiling plate

4



Install bulb and lampshade