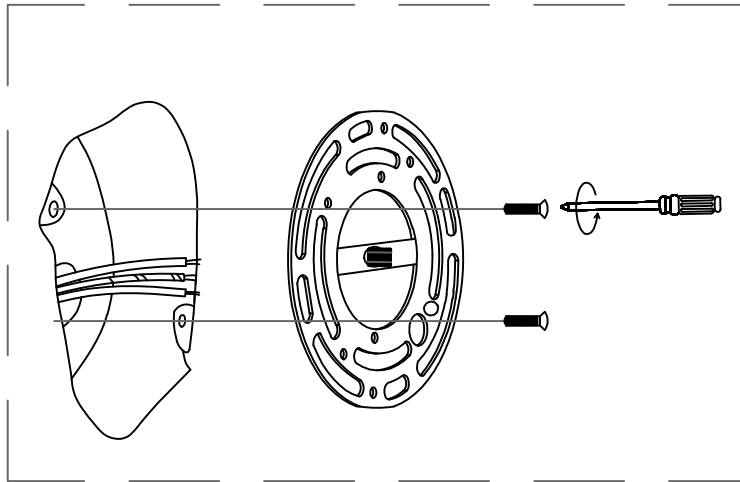
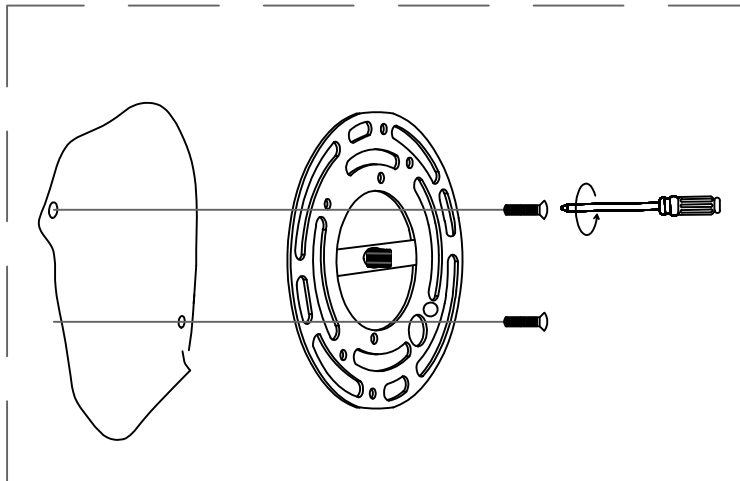


1

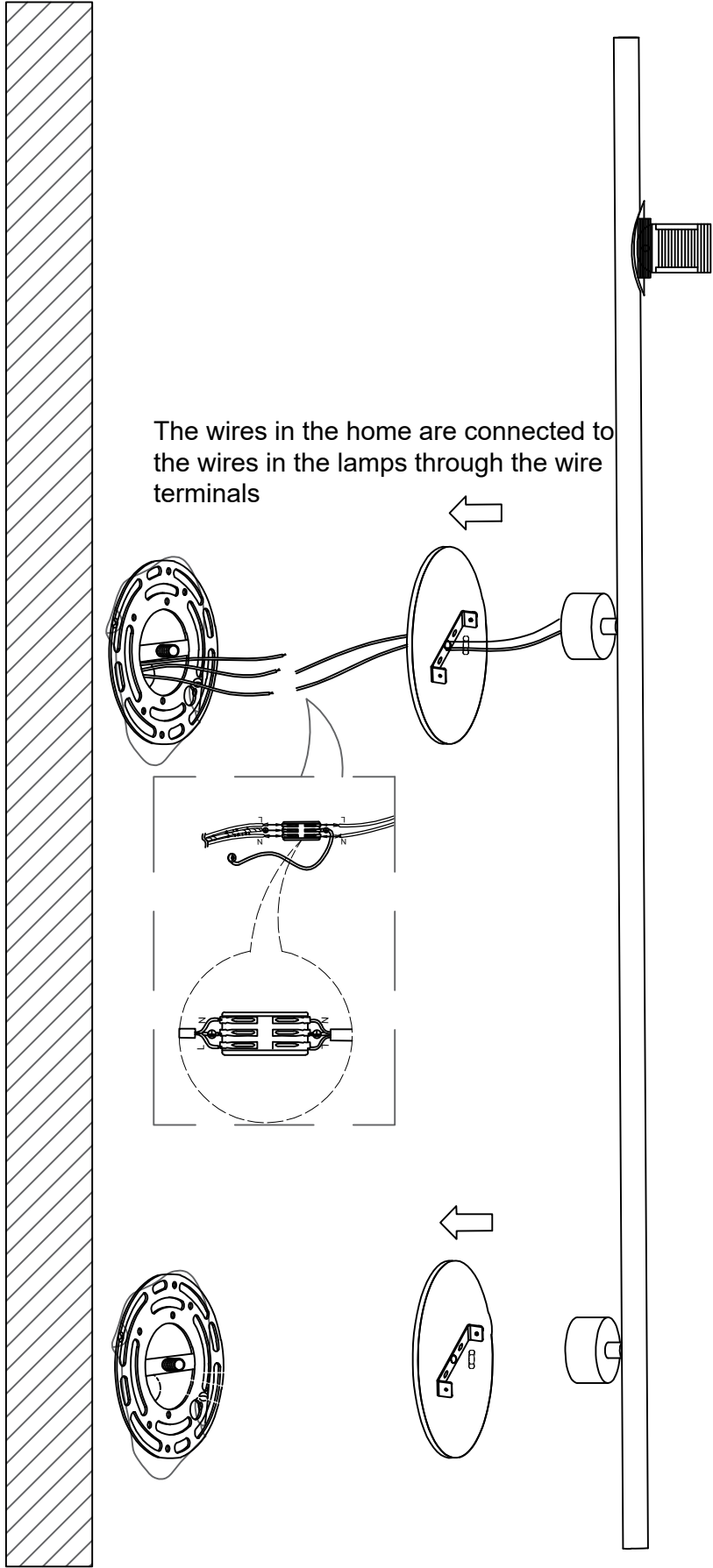


Screw the hanging plate to the wall

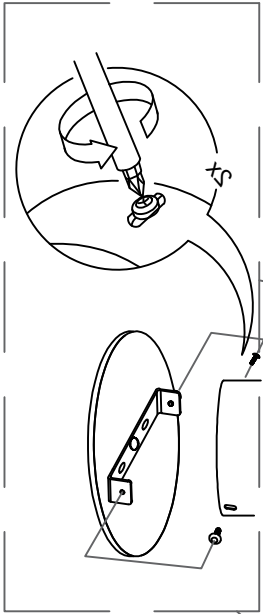


Screw the hanging plate to the wall

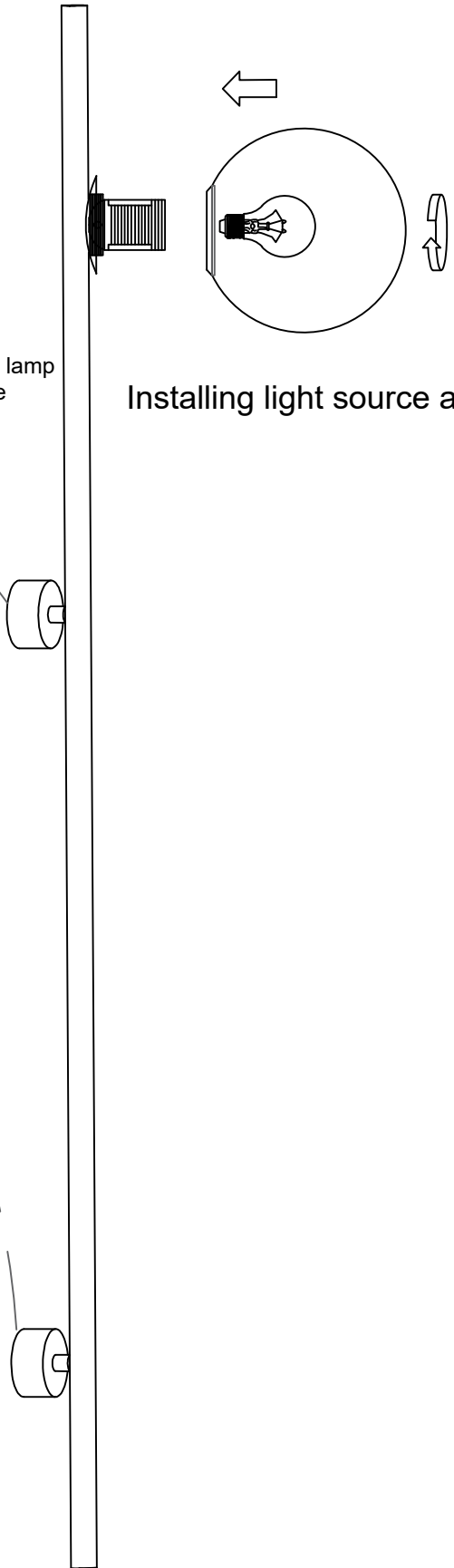
2



3



The side screws fix the lamp body to the ceiling plate



Installing light source and lampshade