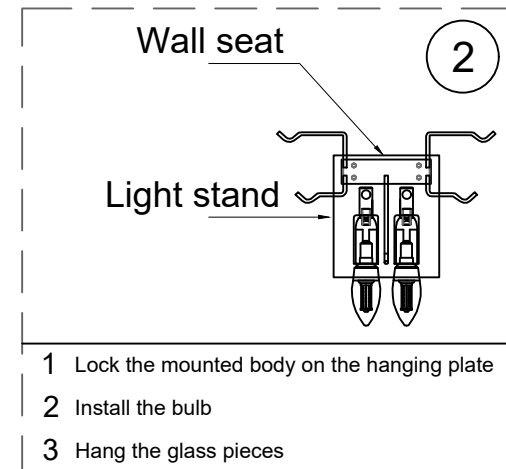


Fix the hanging plate to the wall with screws



- 1 Lock the mounted body on the hanging plate
- 2 Install the bulb
- 3 Hang the glass pieces



Warning: To prevent accidents that threaten personal safety, such as lamp breakage, falling, electric shock, fire, etc., please install and use the lamp strictly in accordance with the instructions and do not modify the lamp or replace parts by yourself.