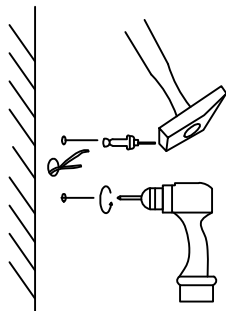
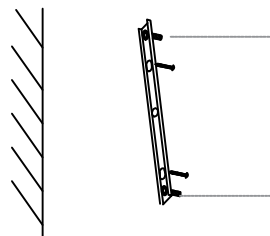


1



Drill holes in the wall and insert expansion screws

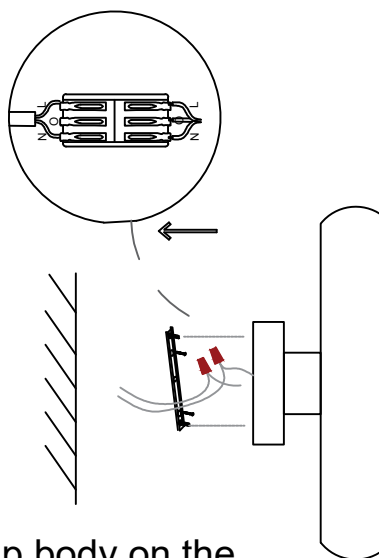
2



Install the hanging plate on the wall

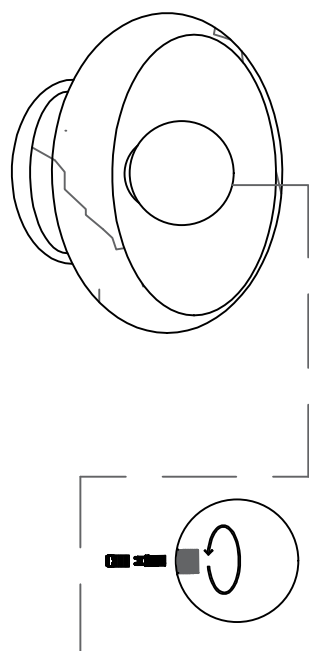
3

The electric wires in the home connect to the light fixtures



4

Install the lamp body on the hanging plate



Install bulb and lampshade