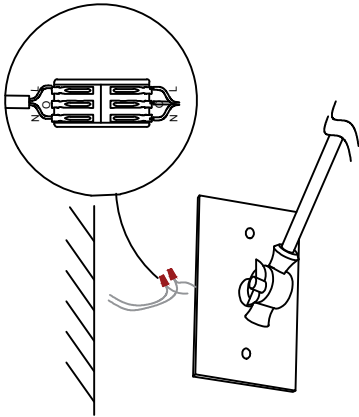
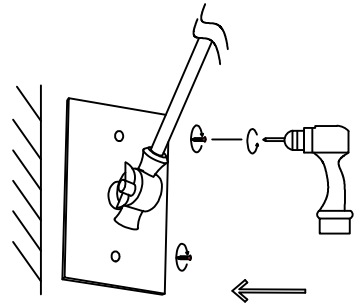


1



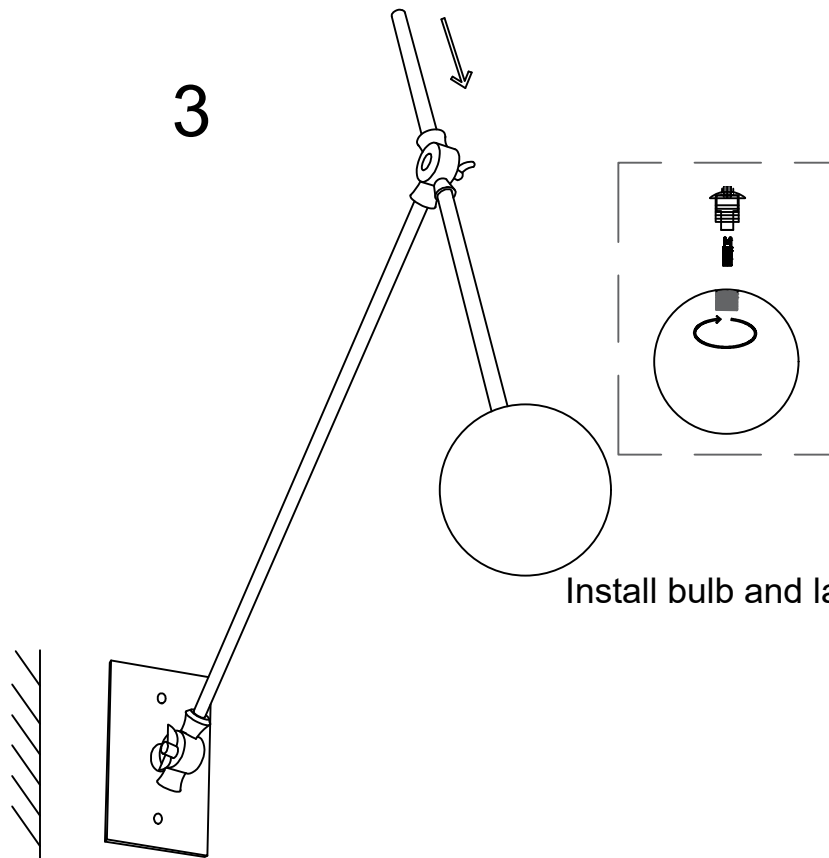
The electric wires in the home connect to the light fixtures

2



Fasten the lamp body to the wall with screws

3



Install bulb and lampshade