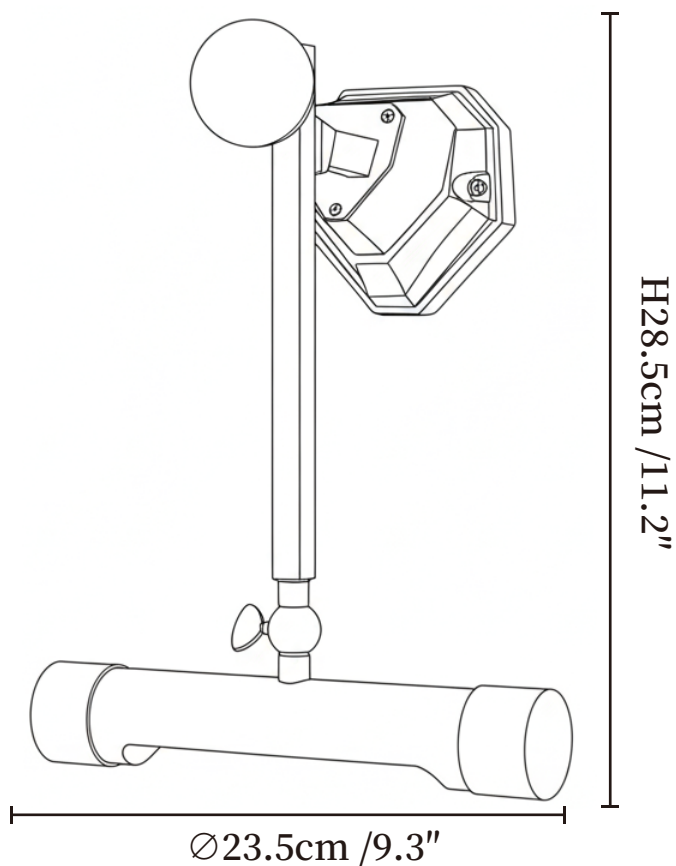


# SPECIFICATION SHEET

---



## SPECIFICATION DETAILS

\*For custom options, consult factory for details

|                           |   |
|---------------------------|---|
| <b>Fixture Dimensions</b> | Ø 9.3" x H 11.2"                                    |
| <b>Light source</b>       | G9 (bulb not included)                              |
| <b>Wattage</b>            | MAX 5W incandescent bulb or LED equivalent.         |
| <b>Voltage</b>            | AC 110-240V   |
| <b>Mounting</b>           | Hardwired.  |
| <b>Dimming</b>            | Compatible with dimmable bulbs (bulb not included)  |
| <b>Control method</b>     | Compatible with common wall switches (not included) |
| <b>Finishes</b>           | Chrome.   |
| <b>Shade Details</b>      | Chrome.   |
| <b>Material</b>           | Metal.  |