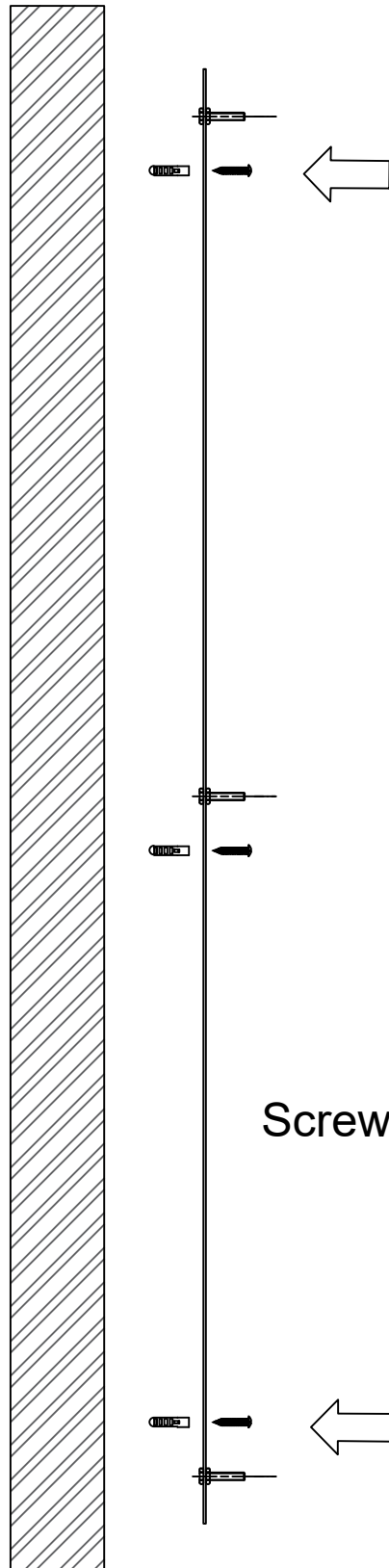
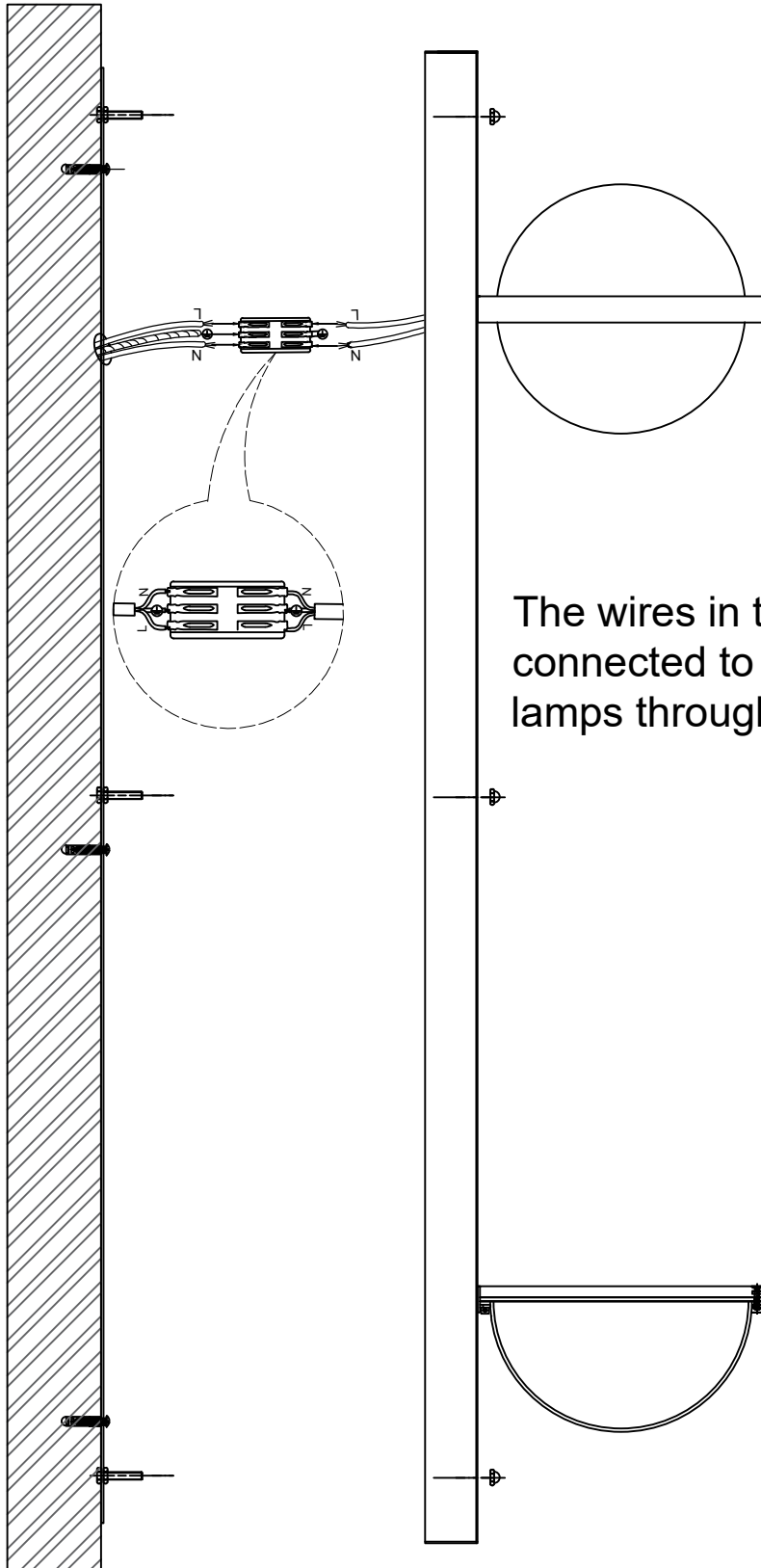


1



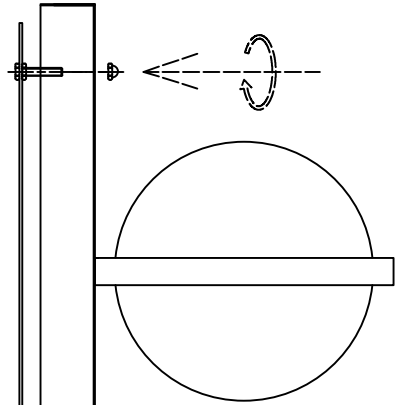
Screw the hanging board to the wall

# 2

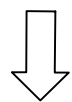
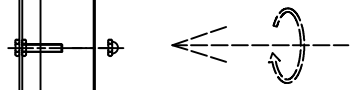


The wires in the home are connected to the wires in the lamps through the wire terminals

# 3



Use hand-made nuts to fix the lamp body on the hanging board



Put decorative flowers

