

# INSTALLATION INSTRUCTIONS

## CAUTION

Turn off the power to the main circuit panel before starting.

## CAUTION

The light source for this product is a non-replaceable LED. Do not disassemble the product, as the LED may damage your eyes.

Do not immerse in water.



## WARNINGS

Failure to follow assembly instructions may result in a fire or electric shock hazard.

## CAUTION

Pulling the light fixture out of the surface may cause personal injury and damage to the fixture and/or the mounting surface. To reduce the likelihood of such injury or damage, install it only on surfaces with intact mechanical structures.



## WARNINGS

Different materials require different fittings. Always select screws and plugs specifically matched to the material.



## WARNINGS

Failure to follow assembly instructions may result in a fire or electric shock hazard.



## WARNINGS

Choking hazard. Keep the power cord at least 3 feet away from cribs, bassinets, and toddler beds.



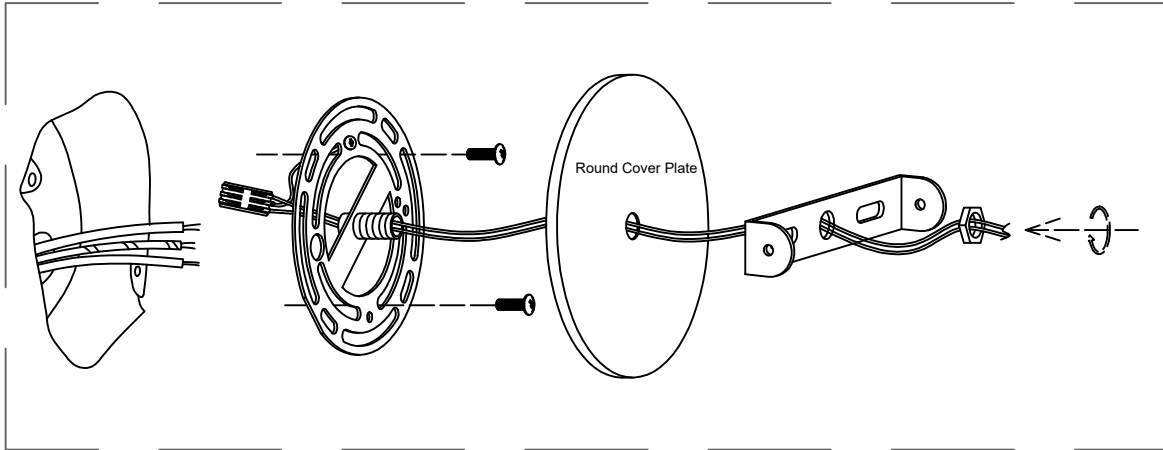
## CARE AND MAINTENANCE

Handle with Care: Please exercise caution during assembly and cleaning to avoid scratches or breakage.

Cleaning Instructions: Do not use any chemical solvents or abrasive cleaners on the lampshade, as they may damage the finish. Use only a soft, dry cloth to remove dust.

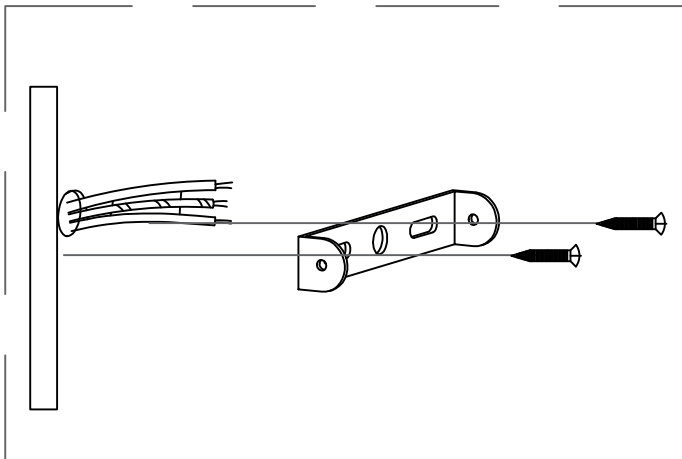
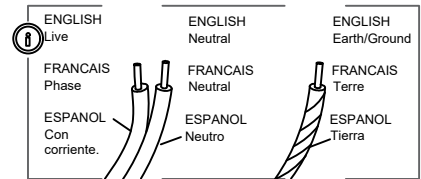
THIS PRODUCT IS NOT A TOY AND HAS NO PLAY VALUE.

# 1

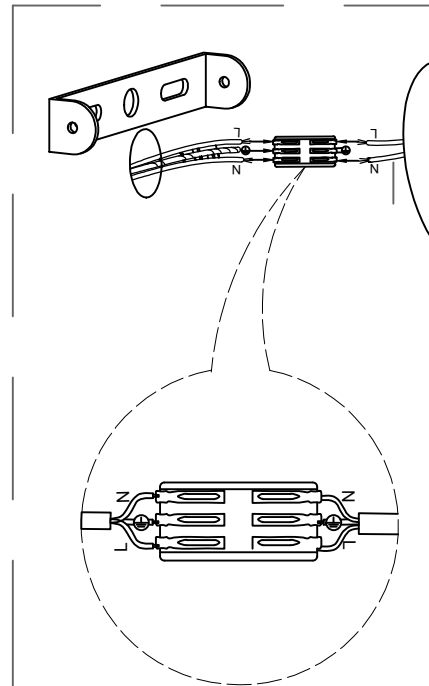


⚠ IMPORTANT (US & Canada Only)

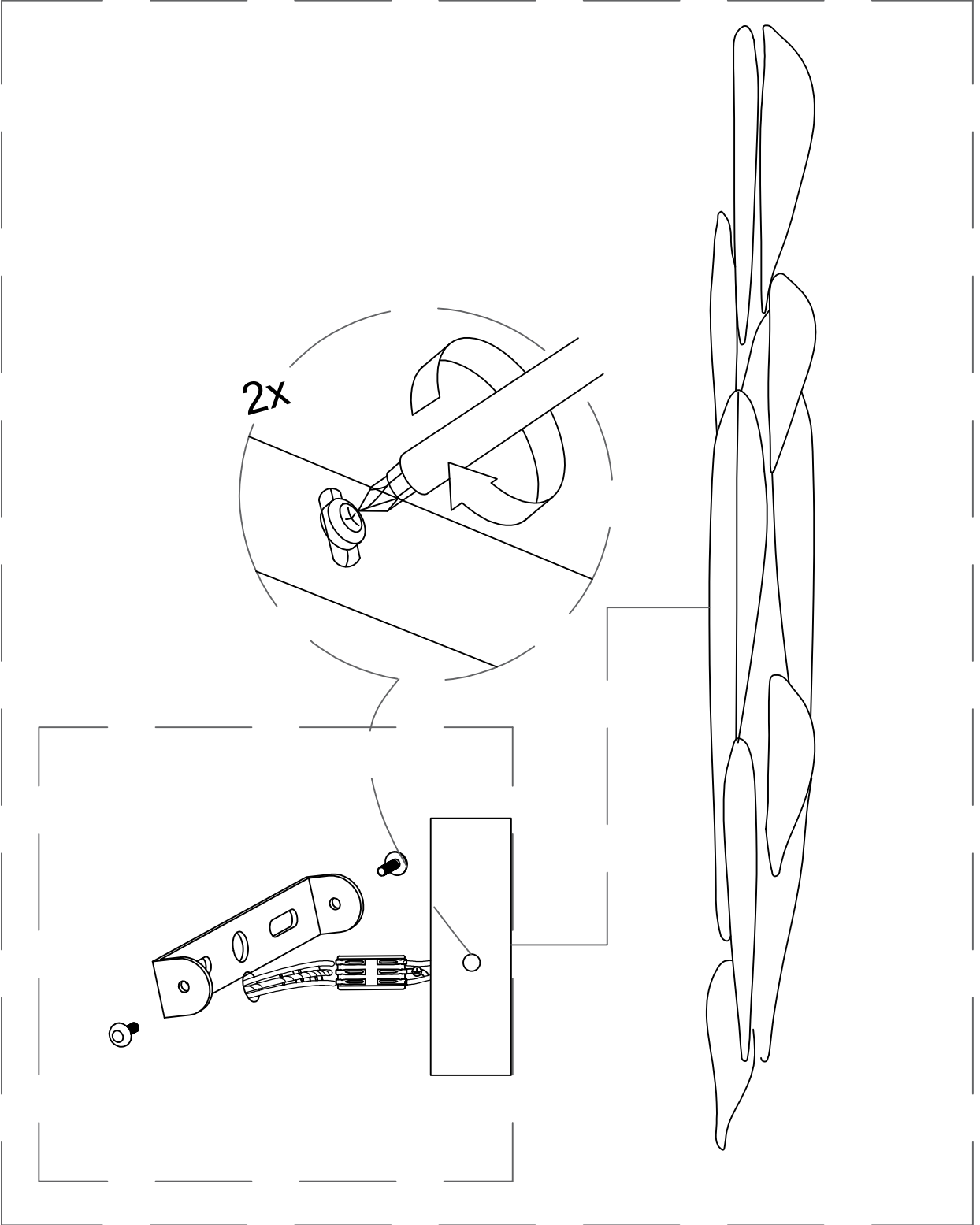
Due to the narrow profile of this fixture, the Round Cover Plate (included) must be installed to fully cover the standard Junction Box.



General Methods for Other Regions



2



# 3

## Installation of Decorative Components

