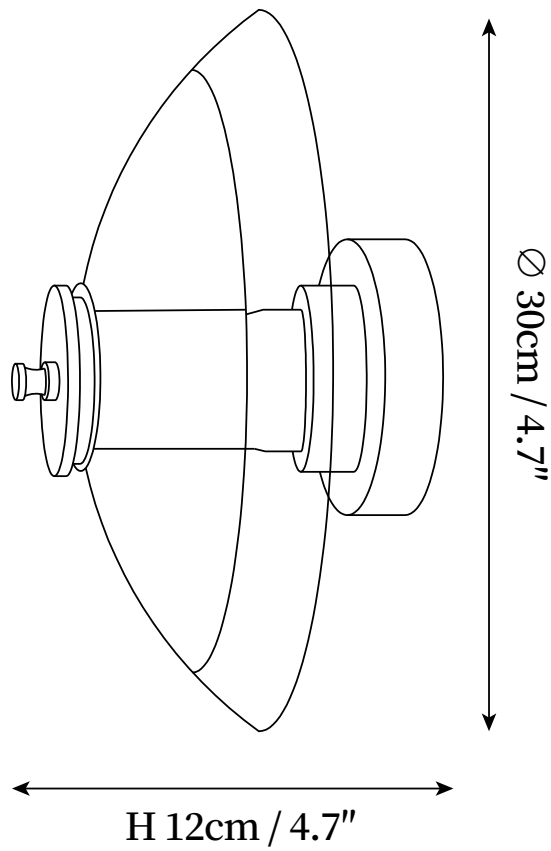


# SPECIFICATION SHEET

---



## SPECIFICATION DETAILS

\*For custom options, consult factory for details

---

<b>Fixture Dimensions</b>	11.8" x H 4.7"
<b>Light source</b>	G9 (bulb not included)
<b>Wattage</b>	~ 5W incandescent bulb or LED equivalent.
<b>Voltage</b>	AC 110-240V
<b>Mounting</b>	Hardwired.
<b>Dimming</b>	Compatible with dimmable bulbs (bulb not included)
<b>Control method</b>	Compatible with common wall switches (not included)
<b>Finishes</b>	Chrome.
<b>Shade Details</b>	Amber.
<b>Material</b>	Metal, Alabaster.

---