

Installation Instructions

Caution: Turn off the power to the main circuit panel before starting.

Caution!

The light source for this product is a non-replaceable LED. Do not disassemble the product, as the LED may damage your eyes.

Do not immerse in water.

This device complies with FCC Part 15. Operation must meet the following two conditions:

1. This device must not cause harmful interference; 2. This device must accept any interference received, including interference that may lead to unexpected operation.

WARNING: Any changes or modifications not expressly approved by the party responsible for compliance may invalidate the user's right to operate the device.

Important Safety

This product uses a polarized plug (one prong is wider than the other) to reduce the risk of electric shock. This plug can only be inserted into a polarized socket in one orientation. If the plug cannot be fully inserted into the socket, reverse the plug. If it still cannot be inserted, contact a qualified electrician. Never use an extension cord unless the plug can be fully inserted. Do not attempt to disable the safety features of the polarized plug. Do not modify the plug.

Caution: To prevent electric shock, align the wide prongs of the plug with the wide slot of the socket and insert it fully.



Warning: Failure to follow assembly instructions may result in a fire or electric shock hazard.

Caution: Pulling the light fixture out of the surface may cause personal injury and damage to the fixture and/or the mounting surface. To reduce the likelihood of such injury or damage, install it only on surfaces with intact mechanical structures.

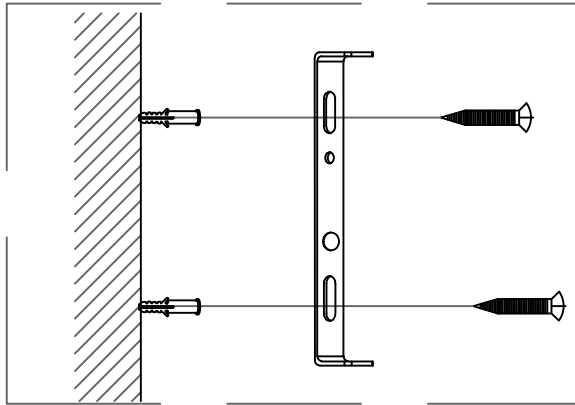
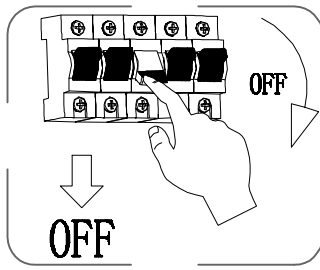


Warning: Different materials require different fittings. Always select screws and plugs specifically matched to the material.

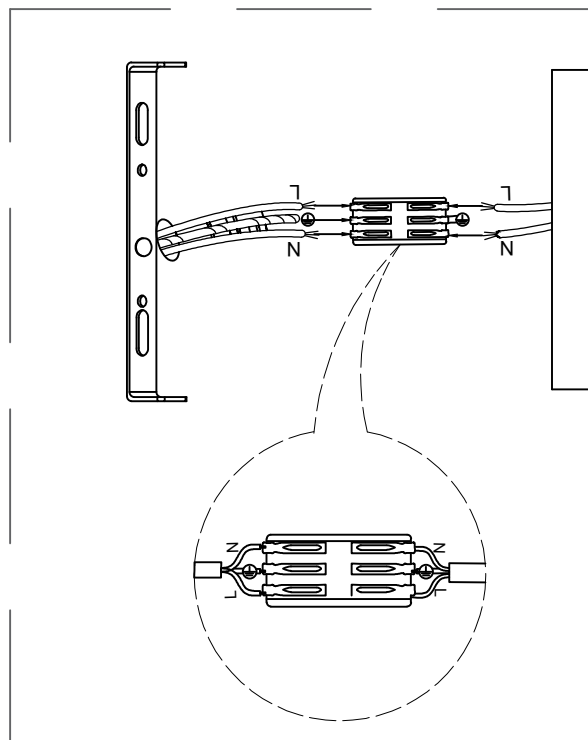
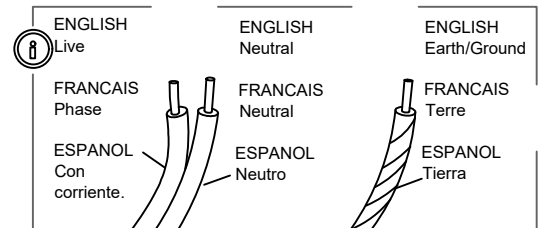


Warning: Failure to follow assembly instructions may result in a fire or electric shock hazard.

1

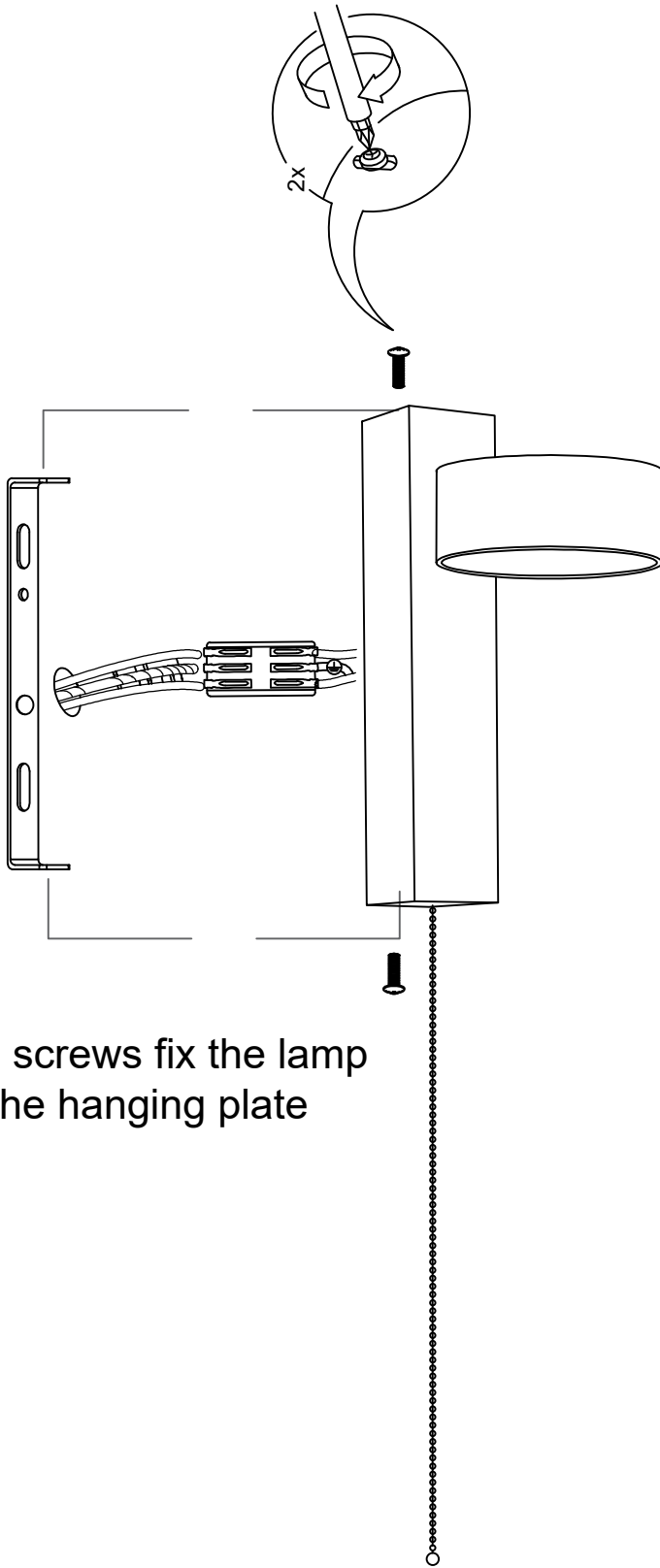


Fix the hanging plate to the wall with screws



The wires in the home are connected to the wires in the lamps through the wire terminals

2



The side screws fix the lamp body to the hanging plate

