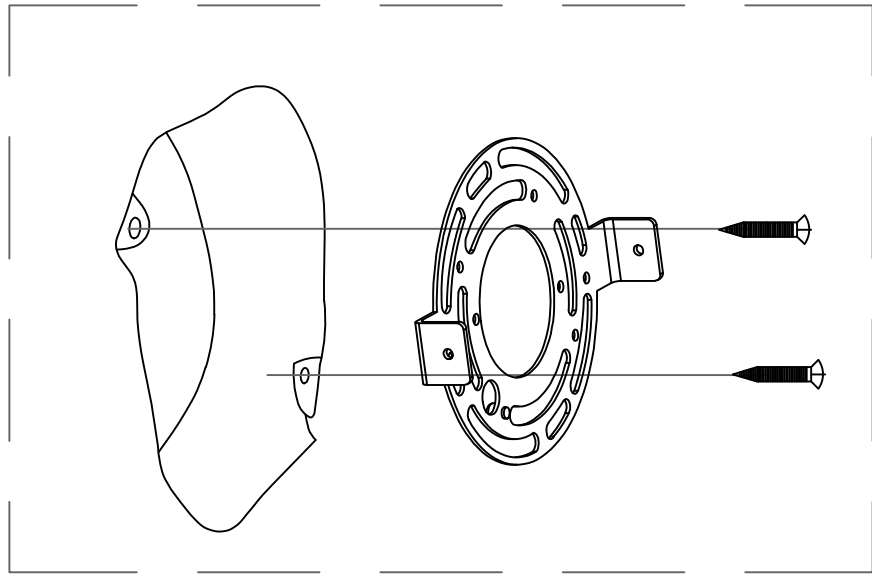
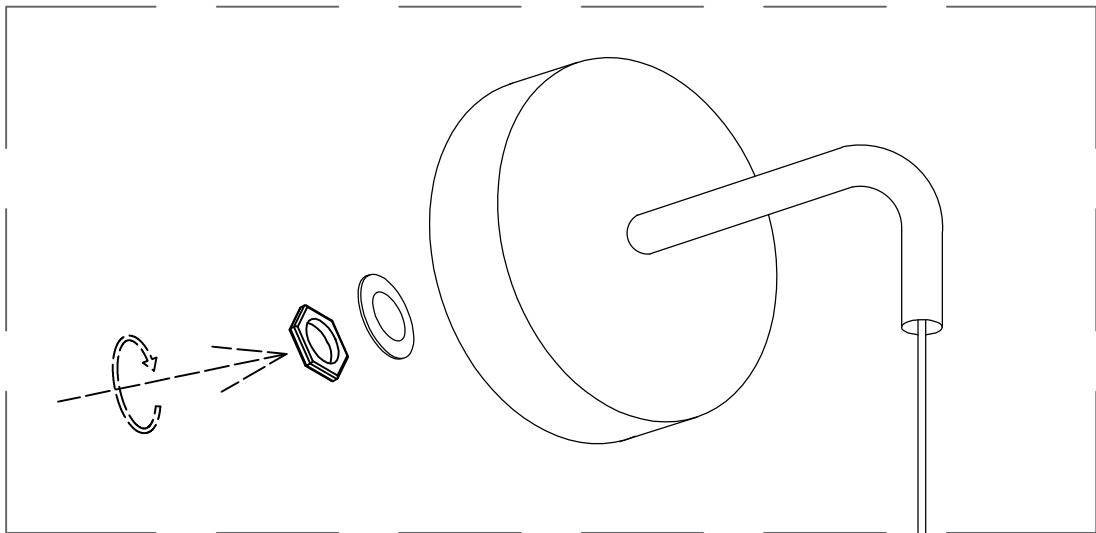


# 1

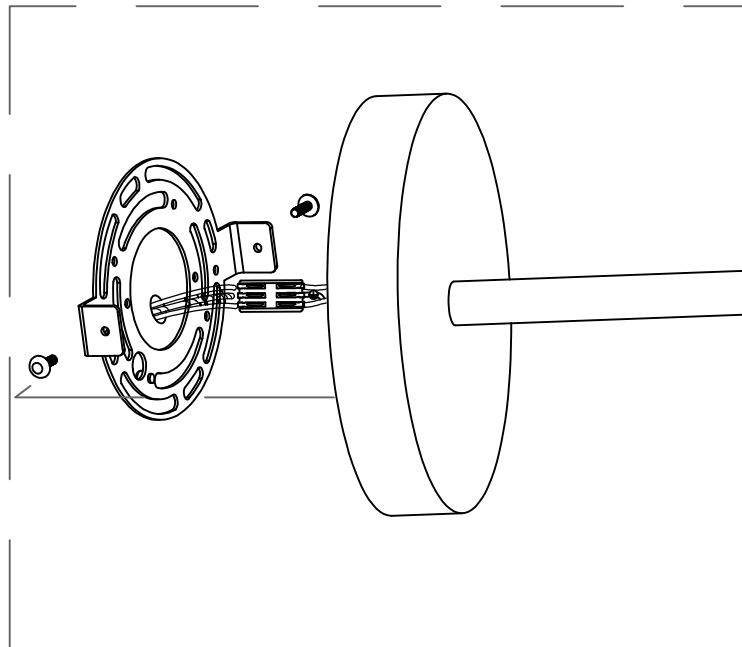
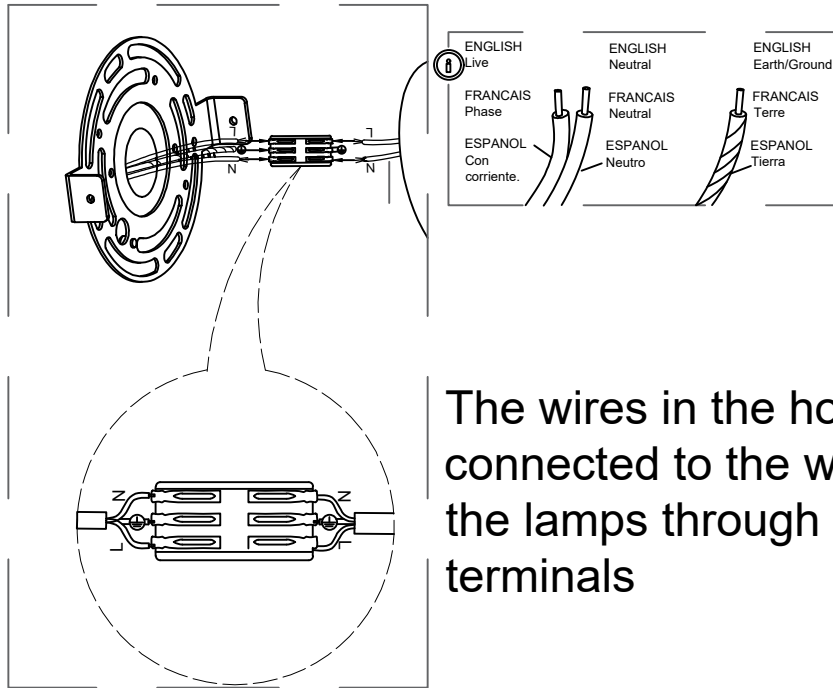


Fix the hanging plate to the wall with screws



Nut fixing

# 2



The side screws fix the lamp body to the hanging plate