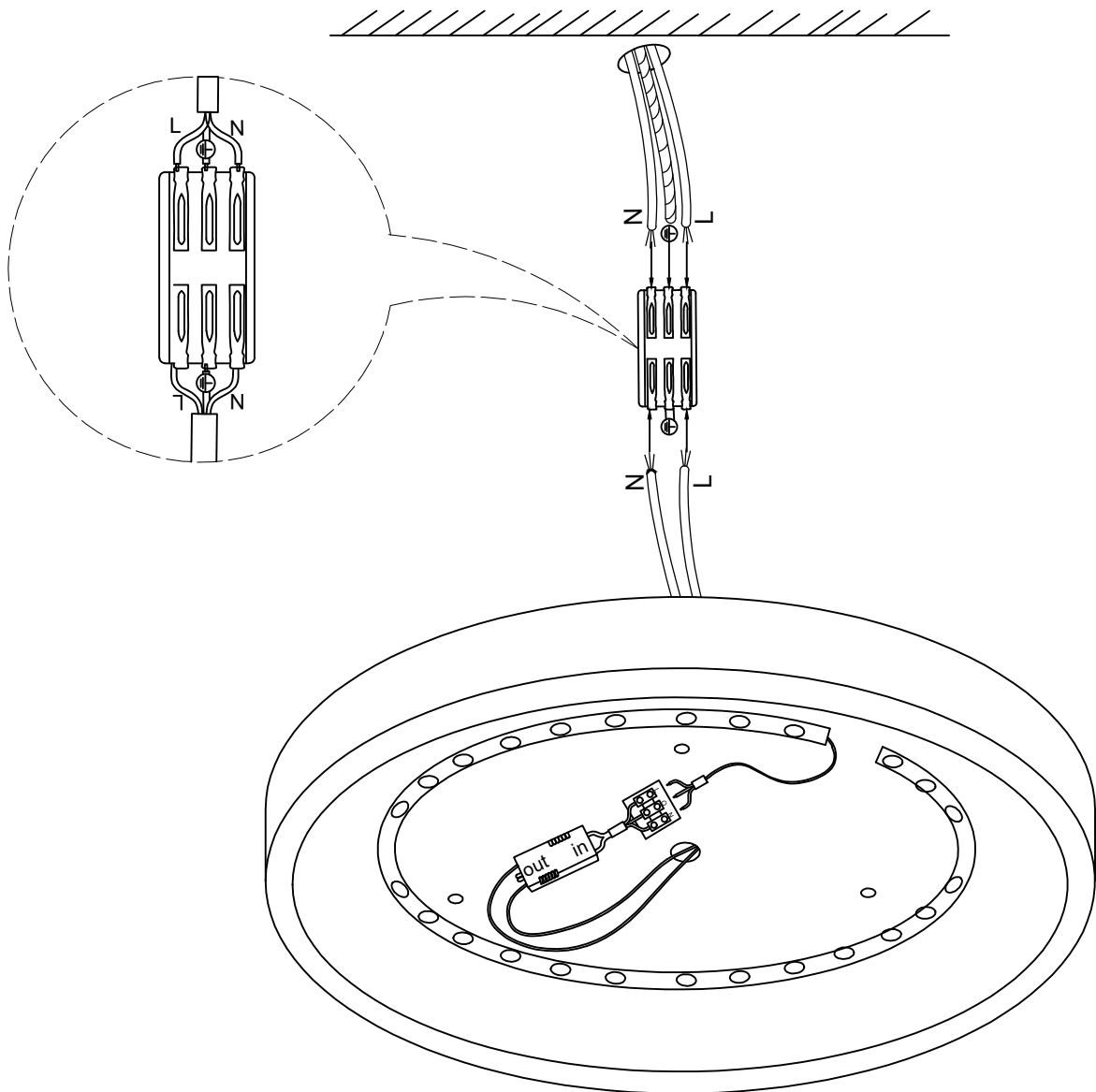
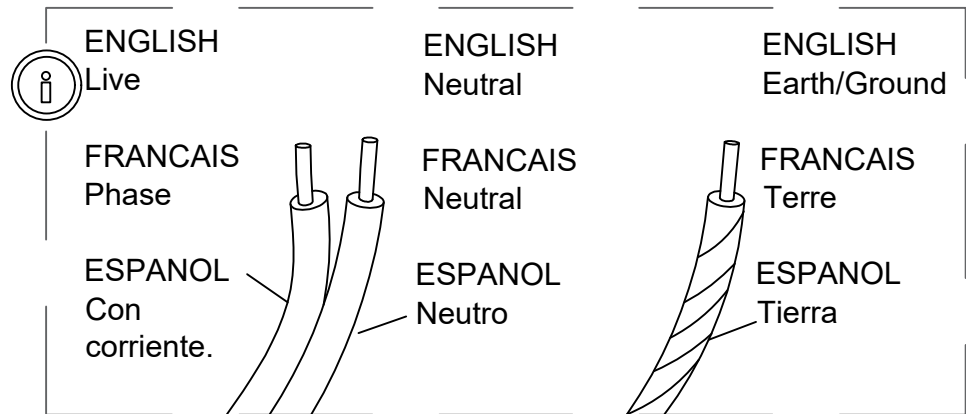
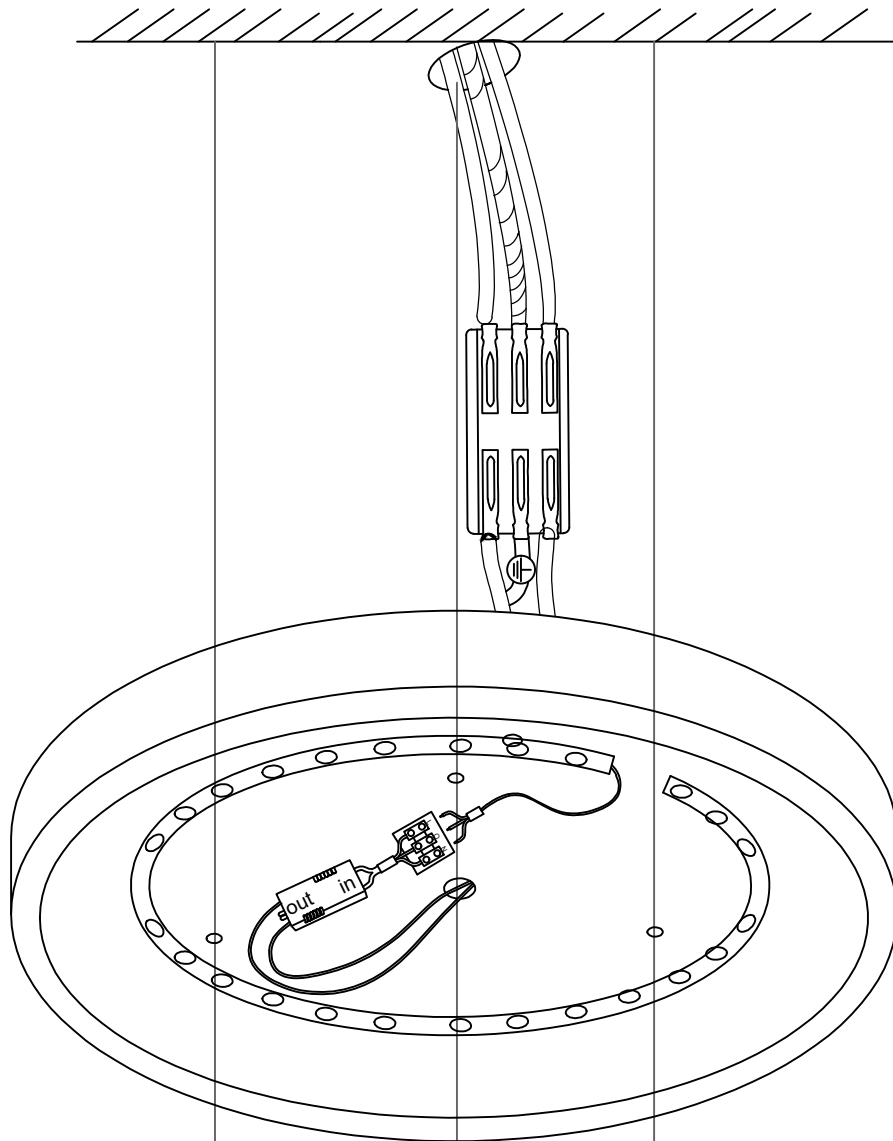


1

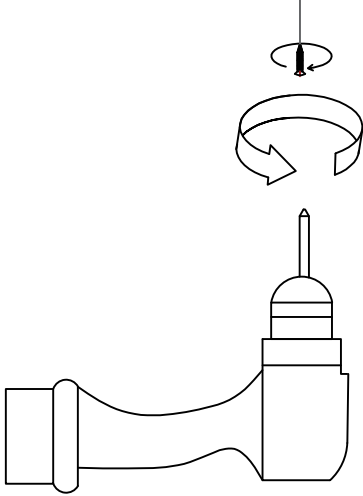


The wires in the home are connected to the wires in the lamps through the wire terminals

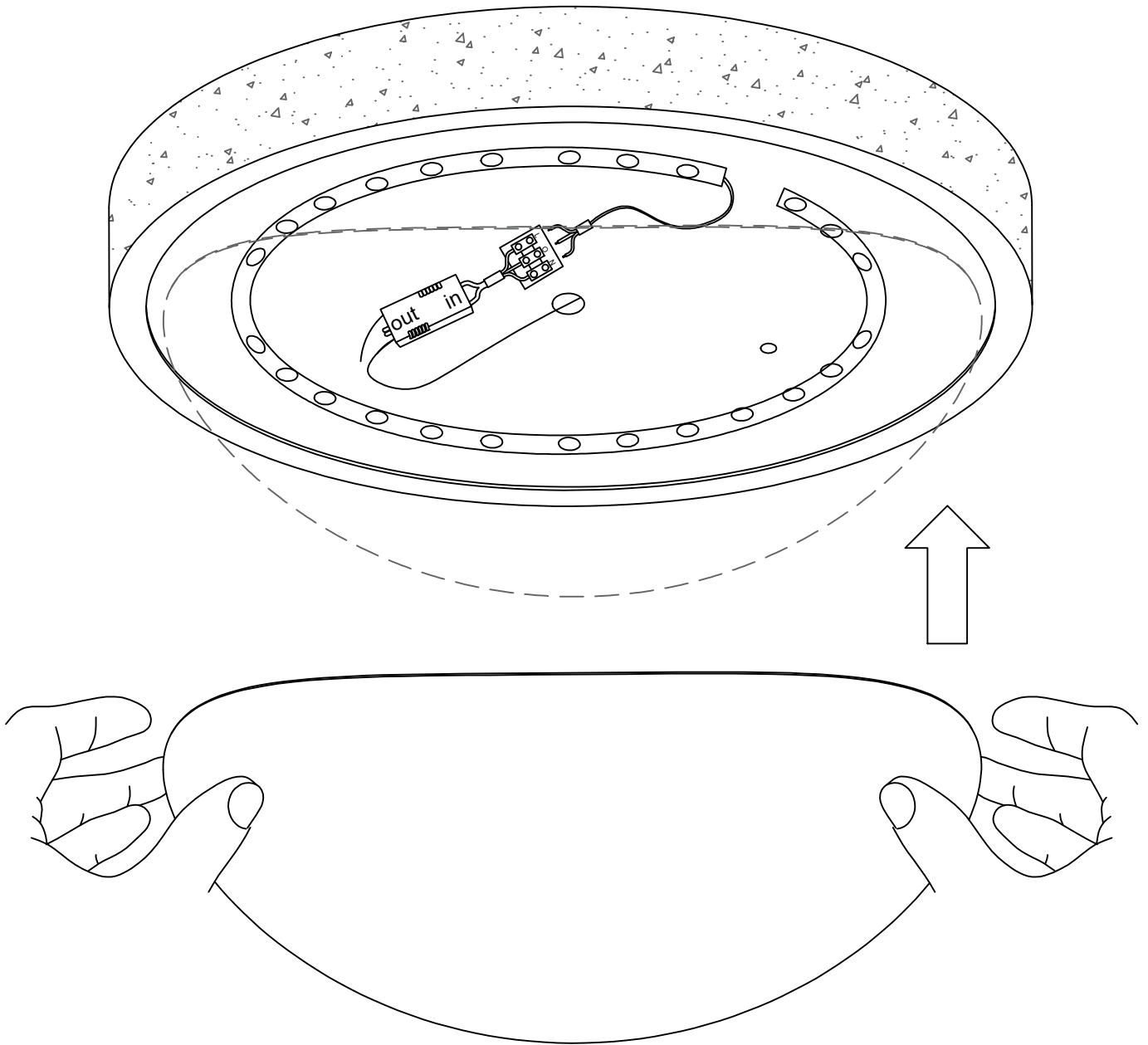
2



After connecting the wires, fix the lamp body to the ceiling with screws



3



The acrylic bends a small arc and stuffs it into the lamp body