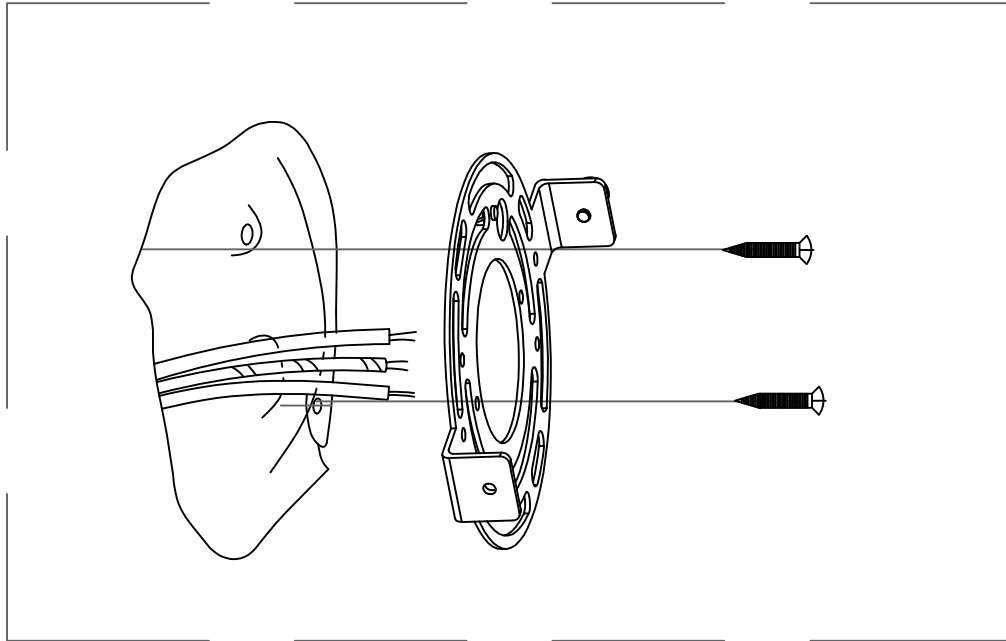
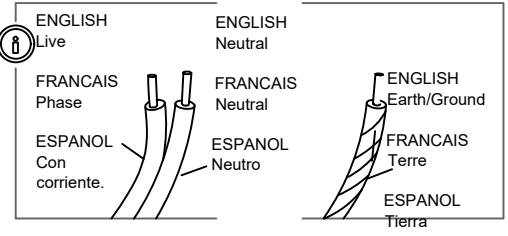
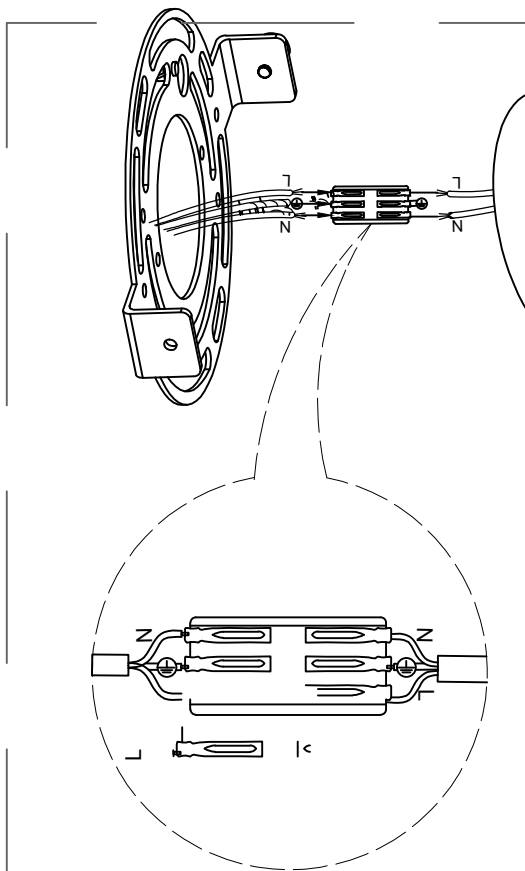


# 1



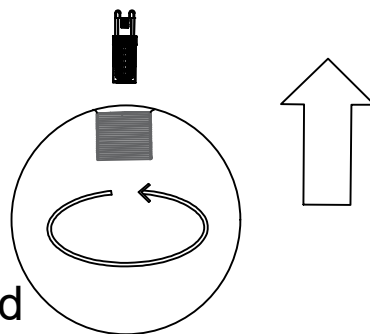
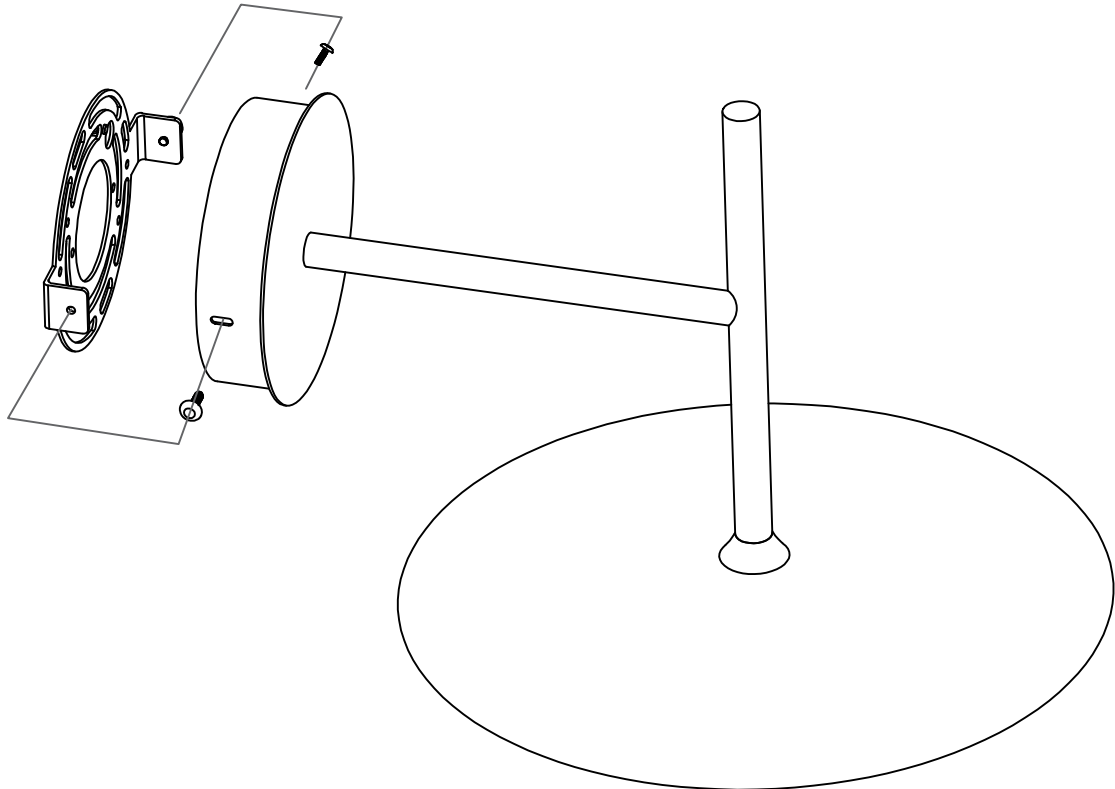
Screw the hanging plate to the wall



The wires in the home are connected to the wires in the lamps through the wire terminals

# 2

The side screws fix the lamp body to the ceiling plate



Installing light source and lampshade