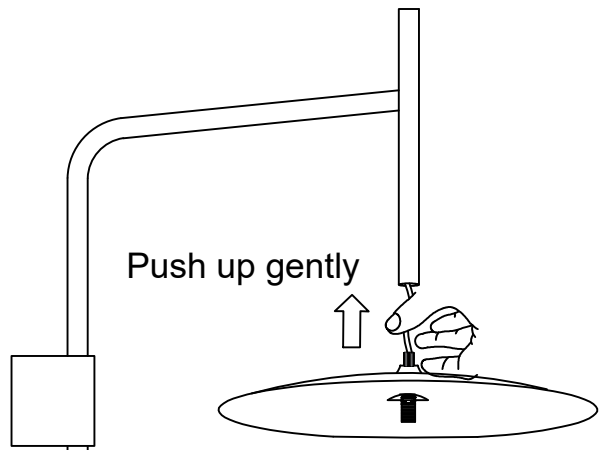
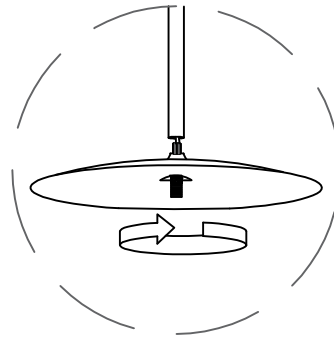


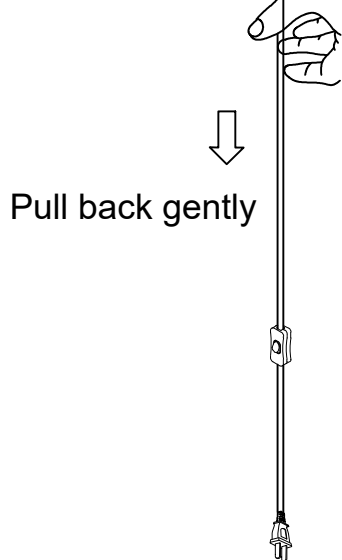
1



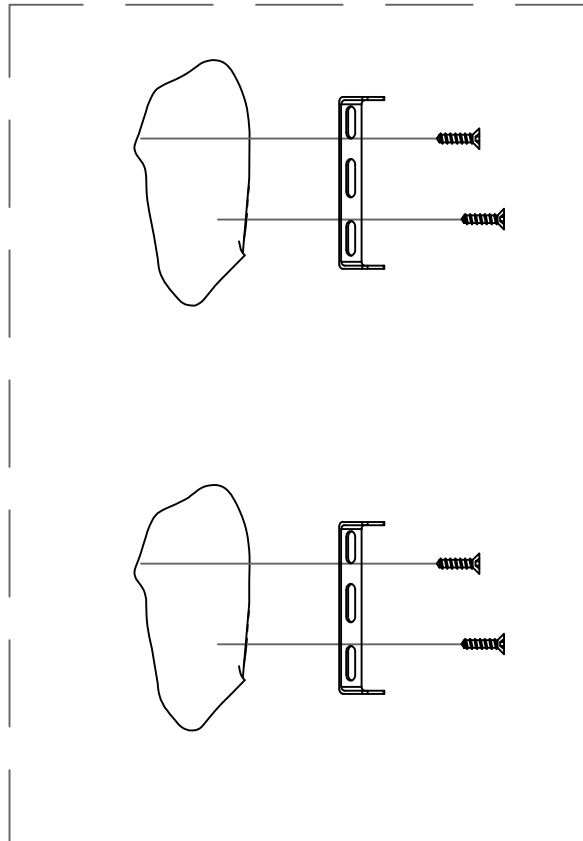
Adjusting the length of the wire



After adjusting the length of the wire, tighten the lampshade



2



Use screws to lock the two hanging plates, one above and one below, to the wall.

3

