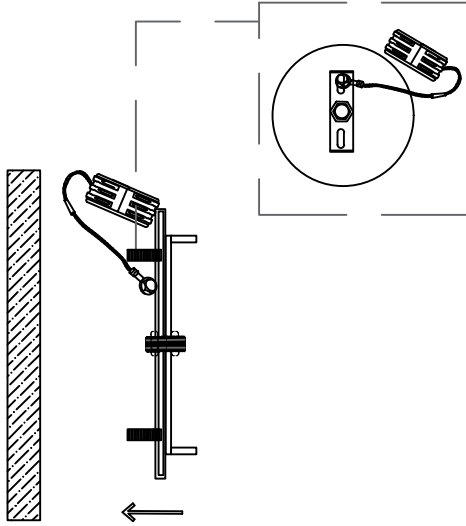
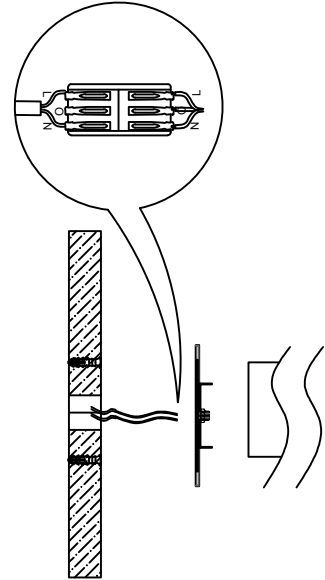


1



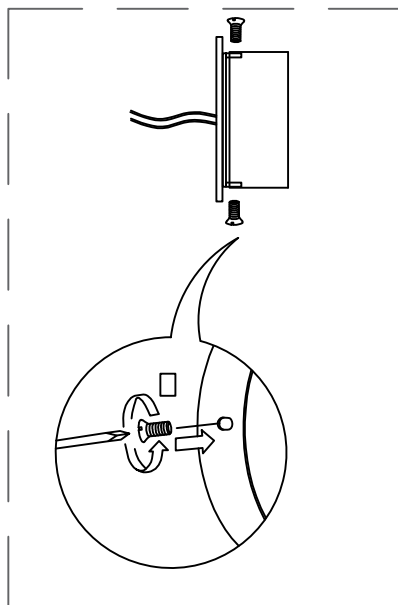
Fix the hanging board to the ceiling

2



Connect the lamp wires to the reserved wires

3



Connect the lamp body to the hanging plate

