

# INSTALLATION INSTRUCTIONS

## CAUTION

Turn off the power to the main circuit panel before starting.

## CAUTION

The light source for this product is a non-replaceable LED. Do not disassemble the product, as the LED may damage your eyes.

Do not immerse in water.



## WARNINGS

Failure to follow assembly instructions may result in a fire or electric shock hazard.

## CAUTION

Pulling the light fixture out of the surface may cause personal injury and damage to the fixture and/or the mounting surface. To reduce the likelihood of such injury or damage, install it only on surfaces with intact mechanical structures.



## WARNINGS

Different materials require different fittings. Always select screws and plugs specifically matched to the material.



## WARNINGS

Failure to follow assembly instructions may result in a fire or electric shock hazard.



## WARNINGS

Choking hazard. Keep the power cord at least 3 feet away from cribs, bassinets, and toddler beds.



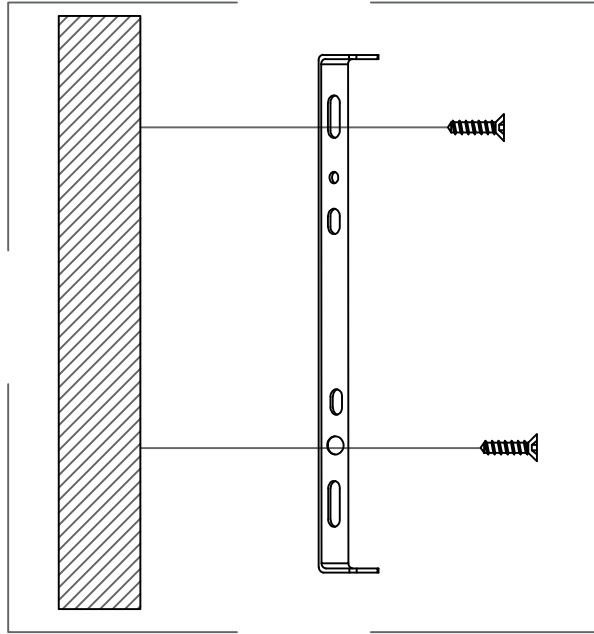
## CARE AND MAINTENANCE


Handle with Care: Please exercise caution during assembly and cleaning to avoid scratches or breakage.

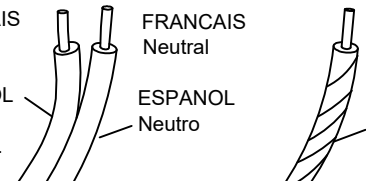
Cleaning Instructions: Do not use any chemical solvents or abrasive cleaners on the lampshade, as they may damage the finish. Use only a soft, dry cloth to remove dust.

**THIS PRODUCT IS NOT A TOY AND HAS NO PLAY VALUE.**

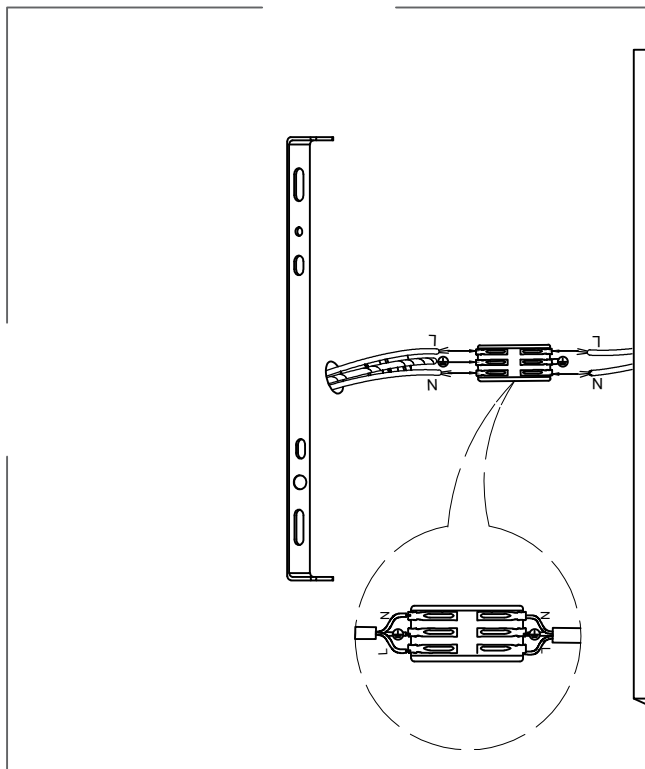
# 1



|   |                           |                    |                         |
|---|---------------------------|--------------------|-------------------------|
|  | ENGLISH<br>Live           | ENGLISH<br>Neutral | ENGLISH<br>Earth/Ground |
|   | FRANCAIS<br>Phase         | FRANCAIS<br>Neutal | FRANCAIS<br>Terre       |
|   | ESPAÑOL<br>Con corriente. | ESPAÑOL<br>Neutro  | ESPAÑOL<br>Tierra       |



Three diagrams of cables are shown. The first shows two solid wires. The second shows a solid wire and a braided wire. The third shows a single braided wire.



# 2

