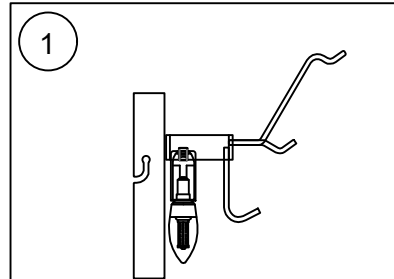
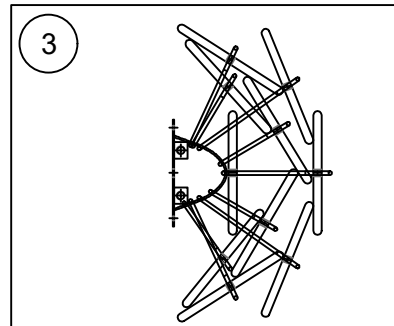


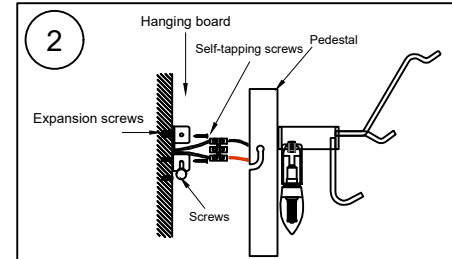
Product Installation Steps



1 The glass lampshade bracket is locked on the wall base with the lamp holder installed using screws and nuts.



3 The glass pieces are hung one by one on the bracket



- 2 Insert the plastic expansion screw
- 3 Drive the self-tapping screws through the holes in the hanging board and into the plastic expansion screws to fix the hanging board.
- 4 Connect the wires
- 5 Pass the screws through the side holes of the wall mount and tighten the screws clockwise to secure the wall mount.



Warning: To prevent accidents that threaten personal safety, such as lamp breakage, falling, electric shock, fire, etc., please install and use the lamp strictly in accordance with the instructions and do not modify the lamp or replace parts by yourself.