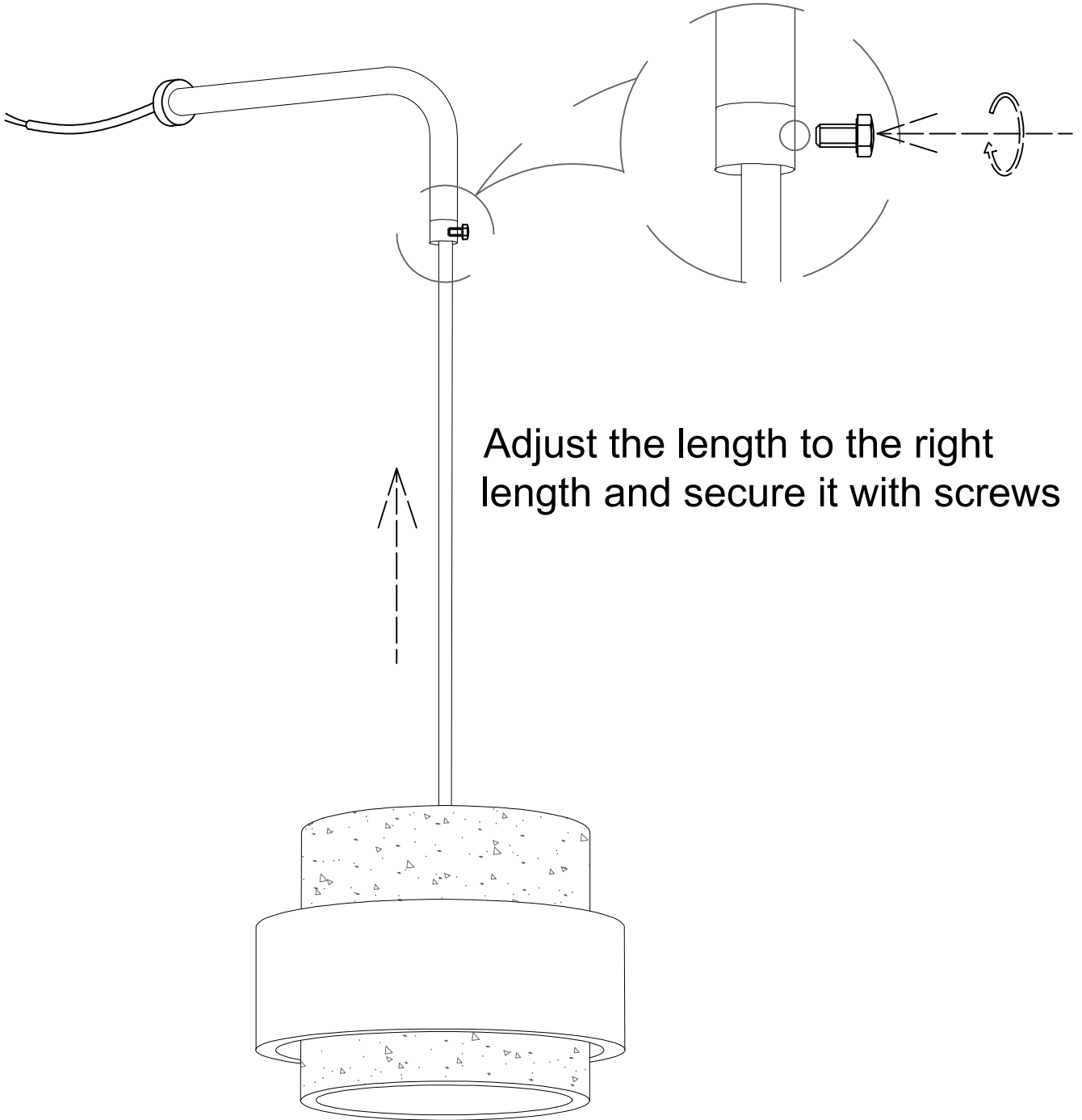
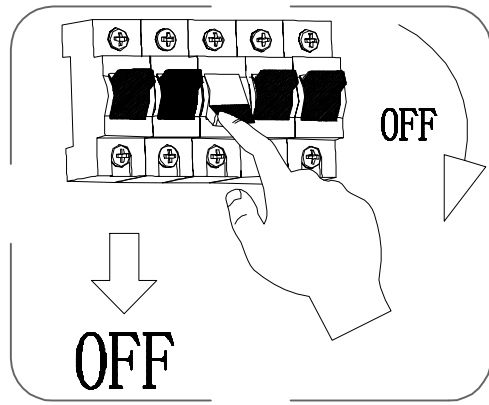
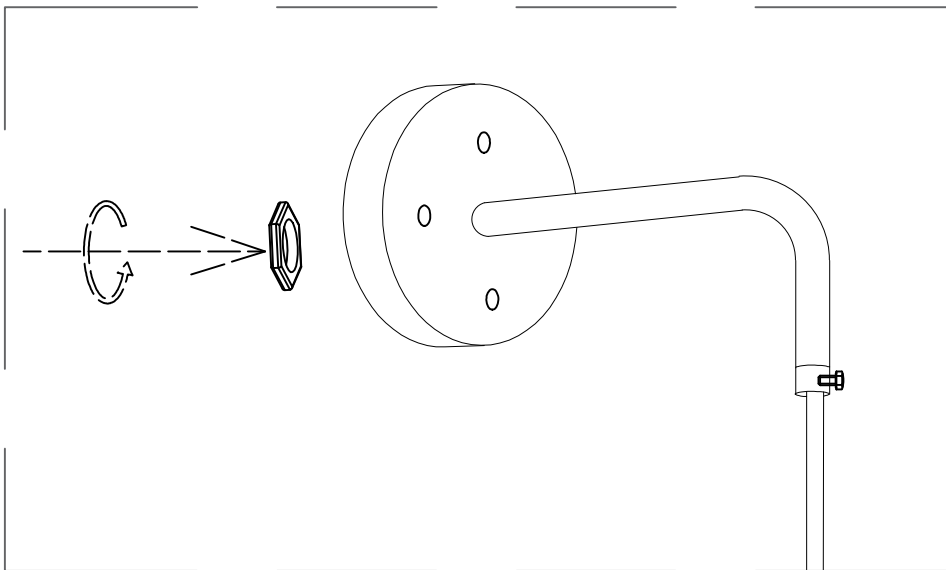
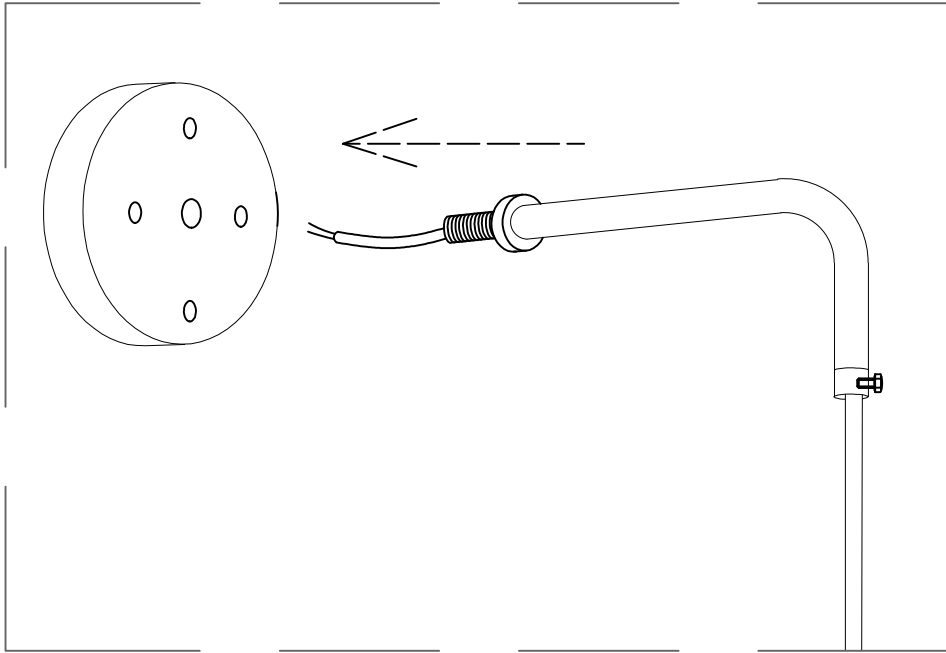


1



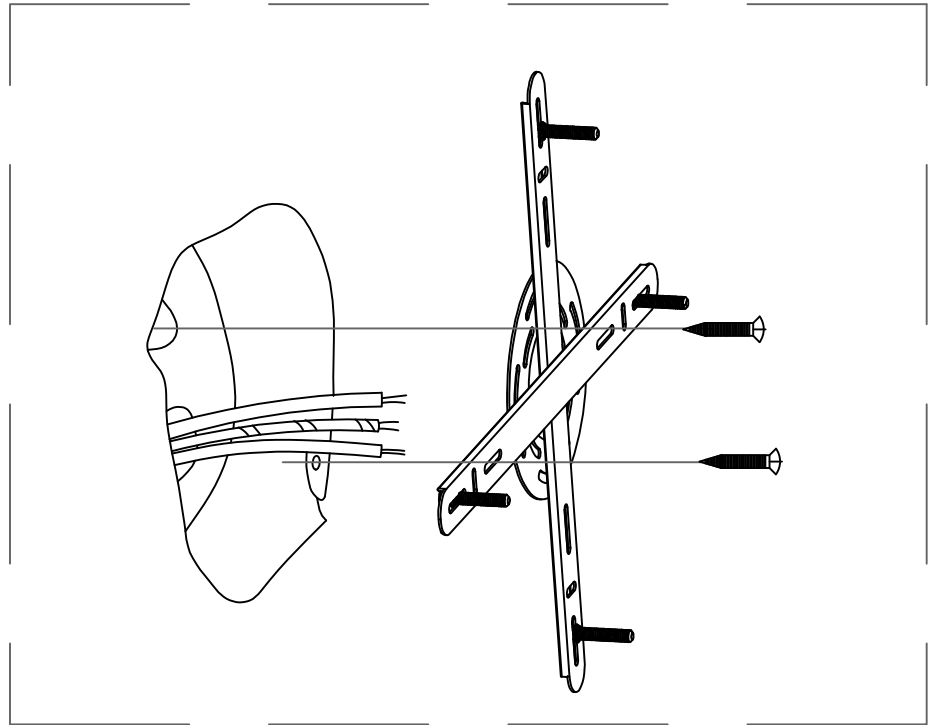
Adjust the length to the right length and secure it with screws

2

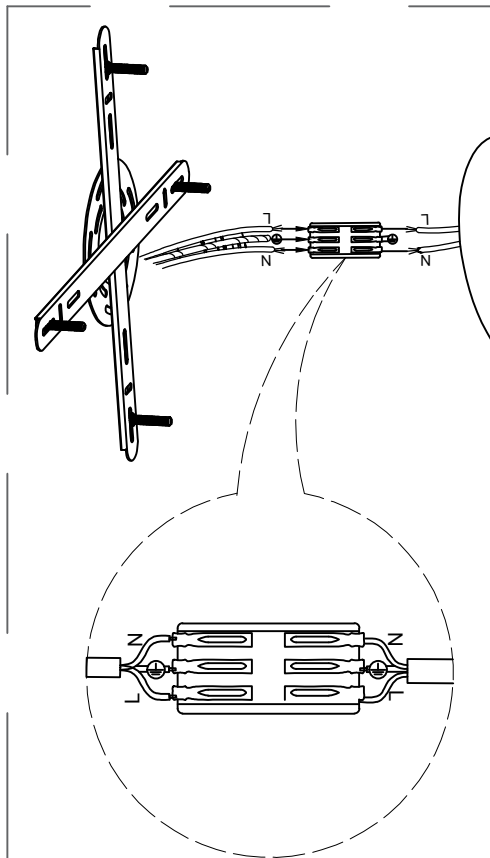



Use nuts to fix the lamp body and ceiling disc together

3



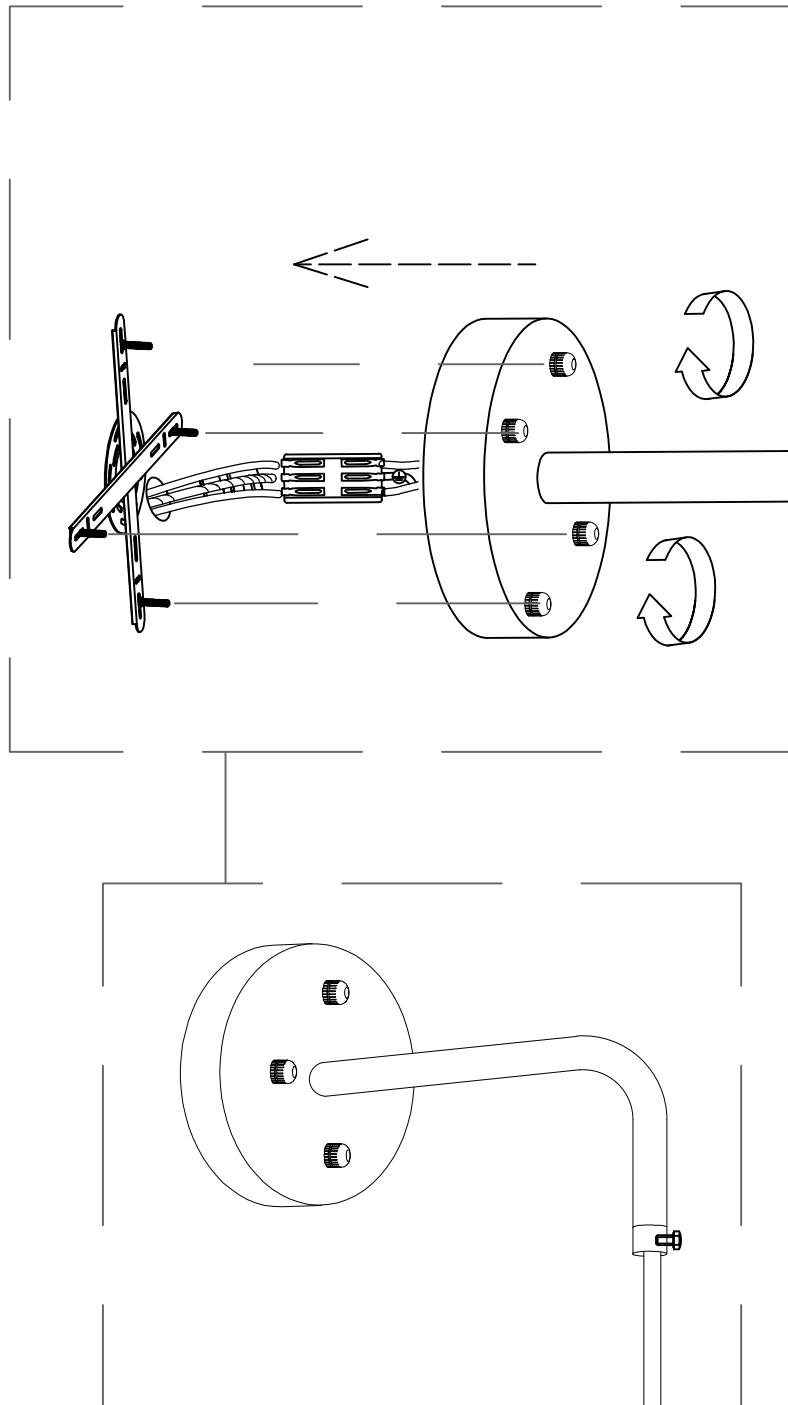
Attach the hanging plate to the wall with screws



 ENGLISH Live	ENGLISH Neutral	ENGLISH Earth/Ground
FRANCAIS Phase	FRANCAIS Neutral	FRANCAIS Terre
ESPAÑOL Con corriente.	ESPAÑOL Neutro	ESPAÑOL Tierra

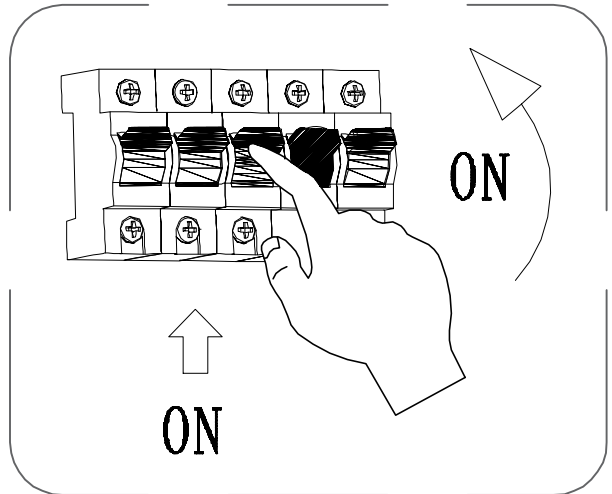
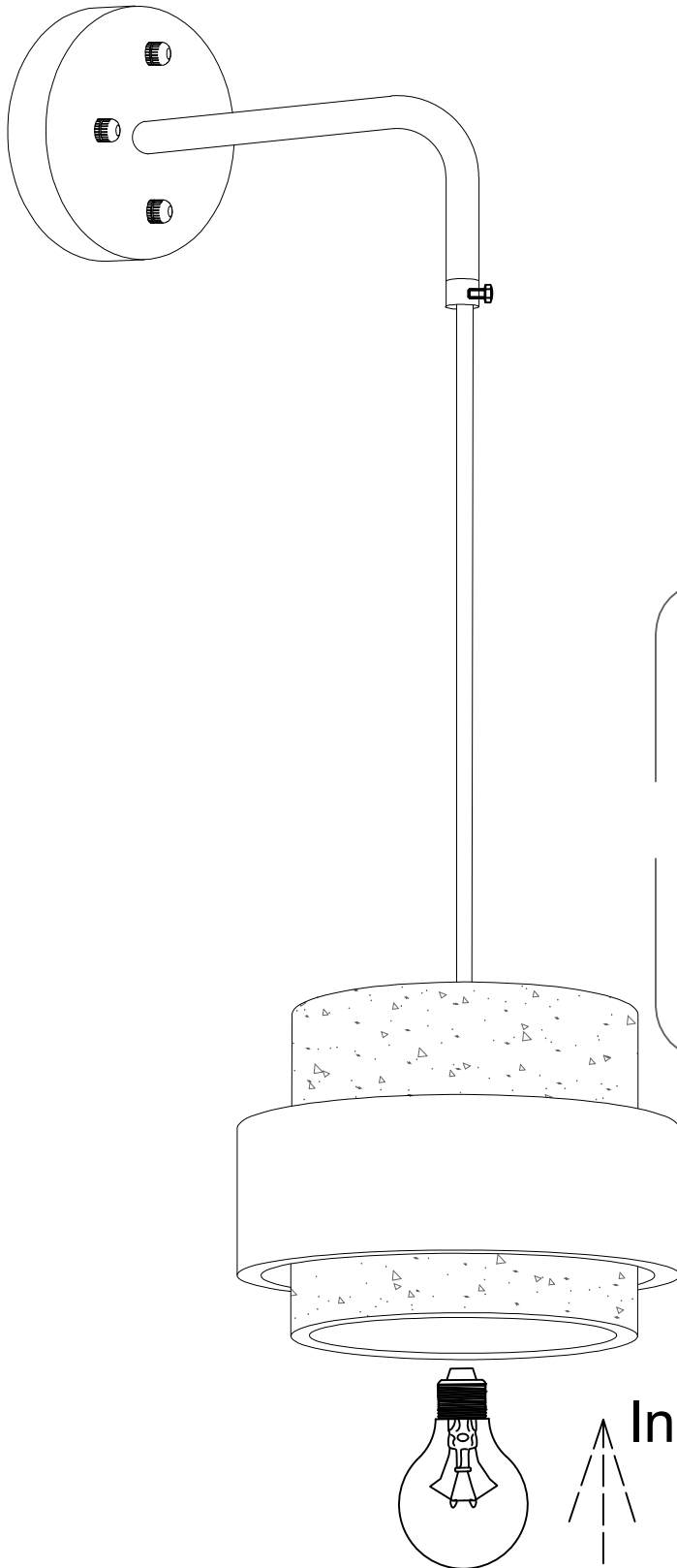
The wires in the home are connected to the wires in the lamps through the wire terminals

4



Use hand-made nuts to fix the lamp body on the hanging board

5



Installing light source

