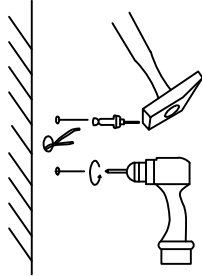
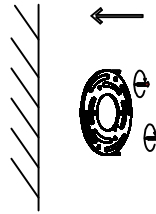


1



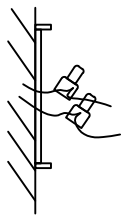
Drill holes in the wall and insert expansion screws

2



Install the hanging plate on the wall

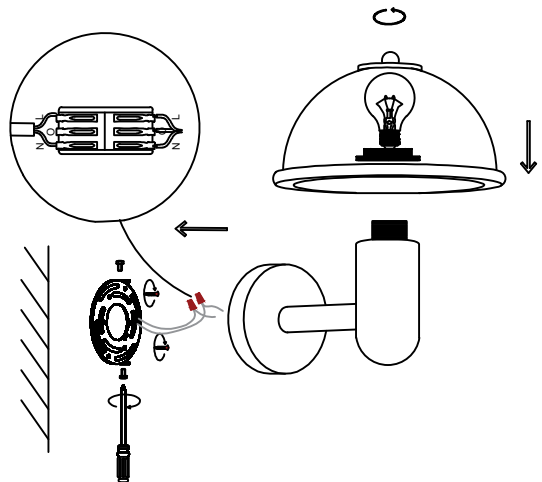
3



The electric wires in the home connect to the light fixtures

Install bulb and lampshade

4



Install the lamp body on the hanging plate