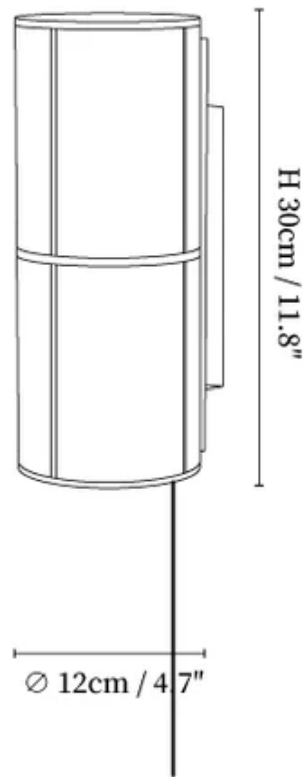


# SPECIFICATION SHEET

---



## SPECIFICATION DETAILS

\*For custom options, consult factory for details

---

<b>Fixture Dimensions</b>	$\varnothing 4.7'' \times H 11.8''$
<b>Light source</b>	E26 or E27. (bulb not included)
<b>Wattage</b>	MAX 40W incandescent bulb or LED equivalent.
<b>Voltage</b>	AC 110-240V
<b>Dimming</b>	Compatible with dimmable bulbs (bulb not included)
<b>Control method</b>	In line ON / OFF switch.
<b>Finishes</b>	Black.
<b>Shade Details</b>	White, Grey.
<b>Cord Length</b>	Supplied with switched plug cord, length ~59" (150cm).
<b>Material</b>	Fabric, Metal, Linen.

---