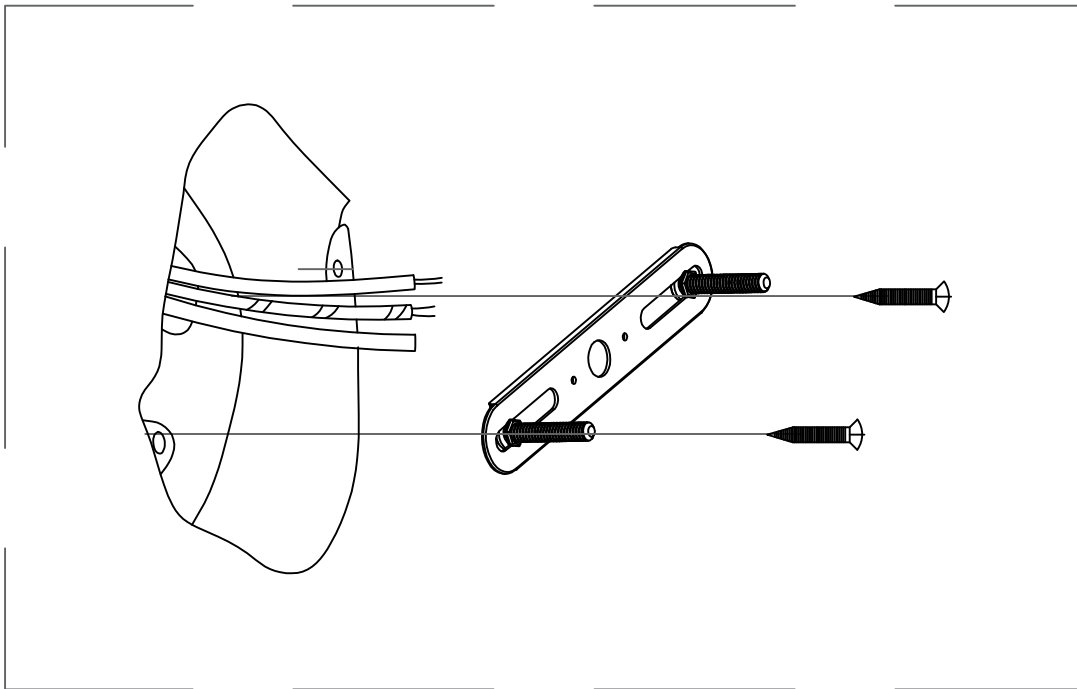
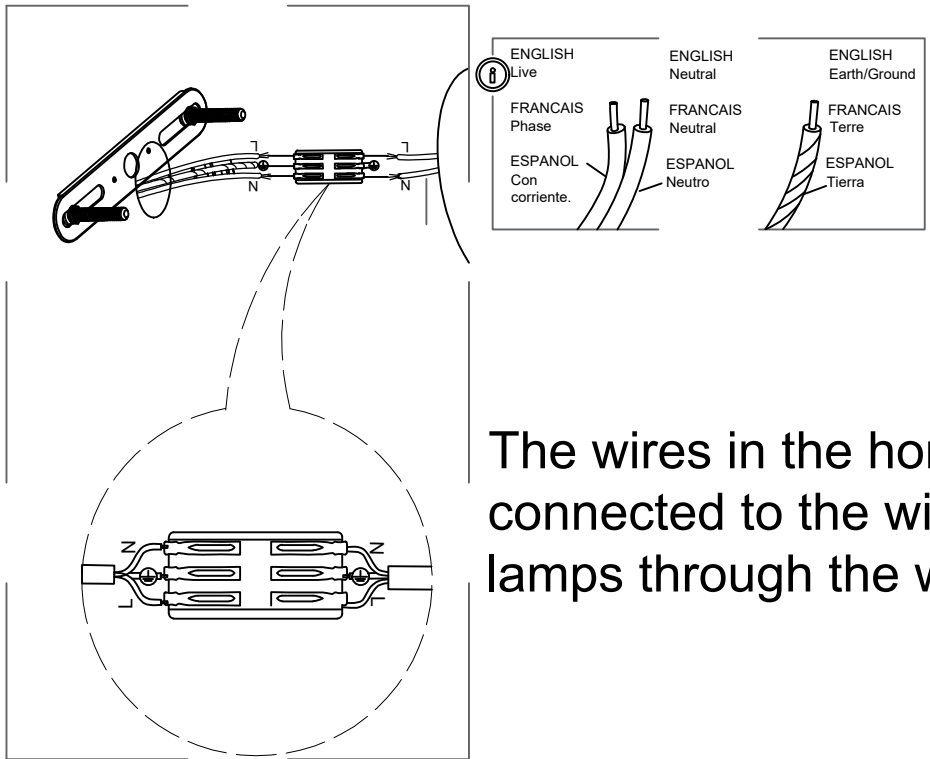


1

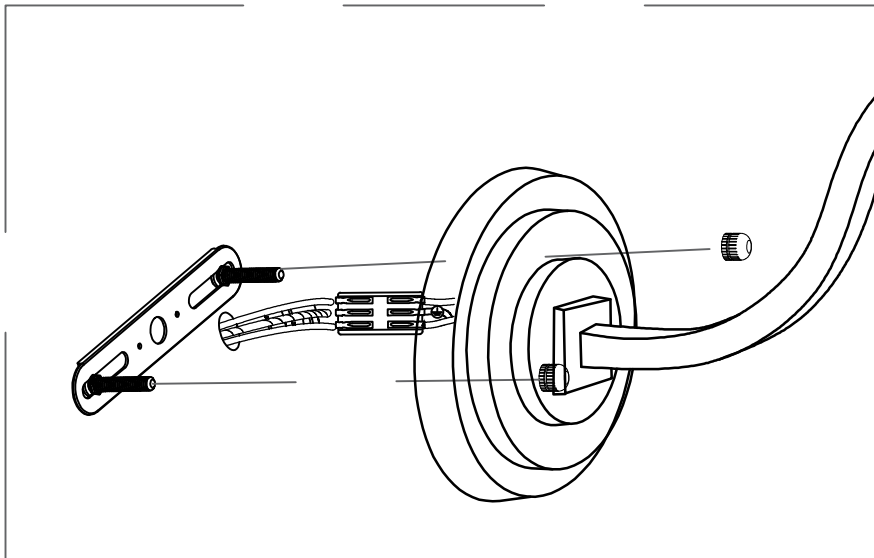


Attach the hanging plate to the wall with screws

2



The wires in the home are connected to the wires in the lamps through the wire terminals



Attach the lamp body to the hanging plate with a hand nut