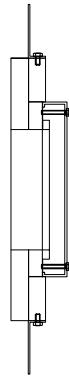
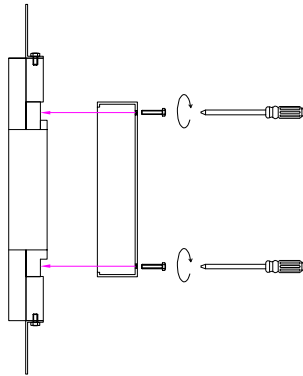


Installation instructions:

In order to achieve the desired aesthetics, this wall lamp needs to be embedded in the wall. Before purchasing, a square hole (small size -12 inches/large size 23.8 inches) must be reserved on the wall for proper installation. Failure to do so may result in the lamp being unable to be securely mounted. We highly recommend consulting with a qualified electrician before completing your purchase to ensure seamless installation and optimal functionality.

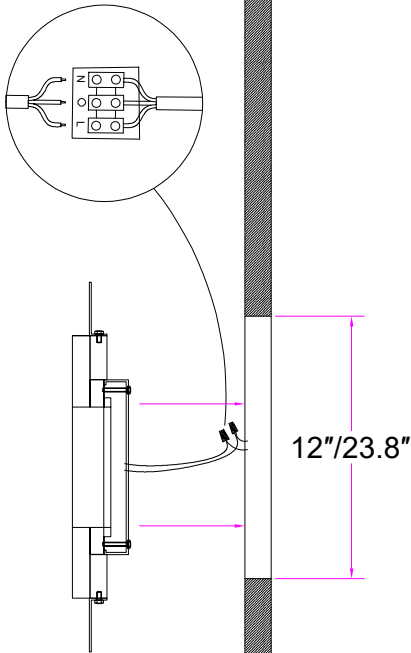
1: Assembly of lamp body



Installation instructions:

In order to achieve the desired aesthetics, this wall lamp needs to be embedded in the wall. Before purchasing, a square hole (small size -12 inches/large size 23.8 inches) must be reserved on the wall for proper installation. Failure to do so may result in the lamp being unable to be securely mounted. We highly recommend consulting with a qualified electrician before completing your purchase to ensure seamless installation and optimal functionality.

2. Connect the lamp wires to the reserved wires



3. Insert the lamp body into the wall and fix it from the outside with screws

