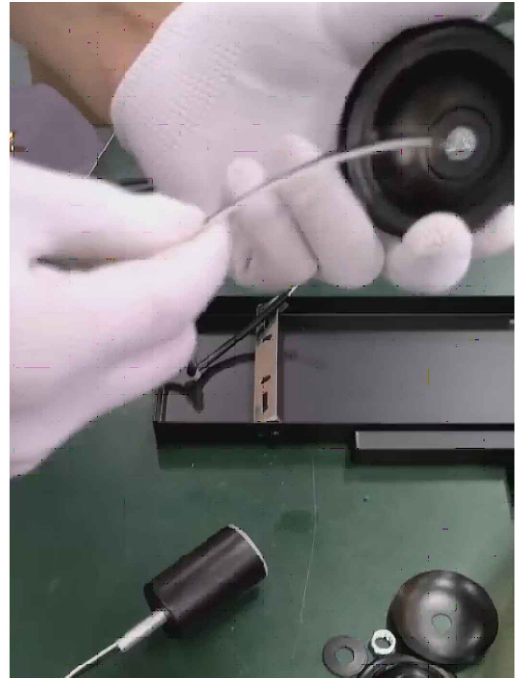


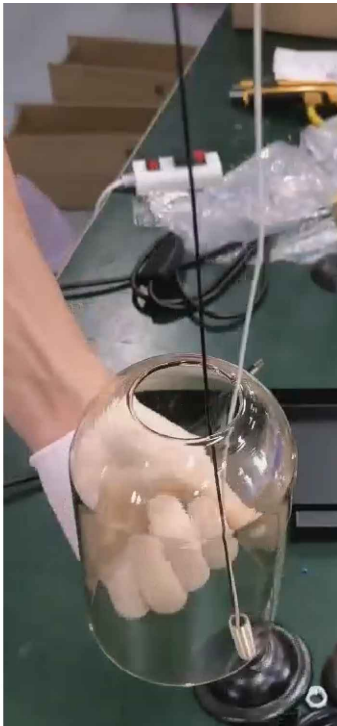
1



① Remove all accessories



② Insert accessory 1



③ Put in small glass

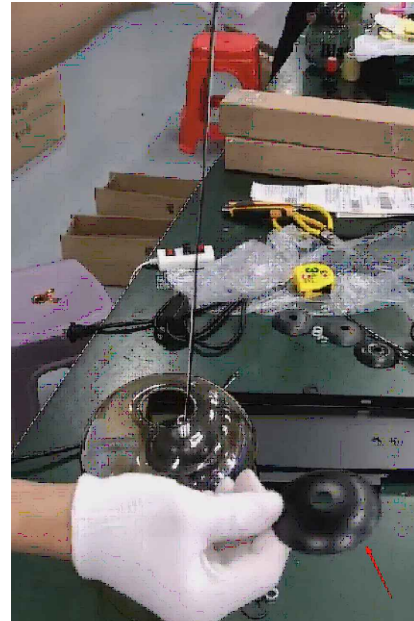


④ Insert accessory 2

2



⑤ Put in large glass



⑥ Insert accessory 3



⑦ The wire runs through the lamp arm



⑧ The wire runs through the other end

3



⑨ The glass part and the lamp arm are tightened

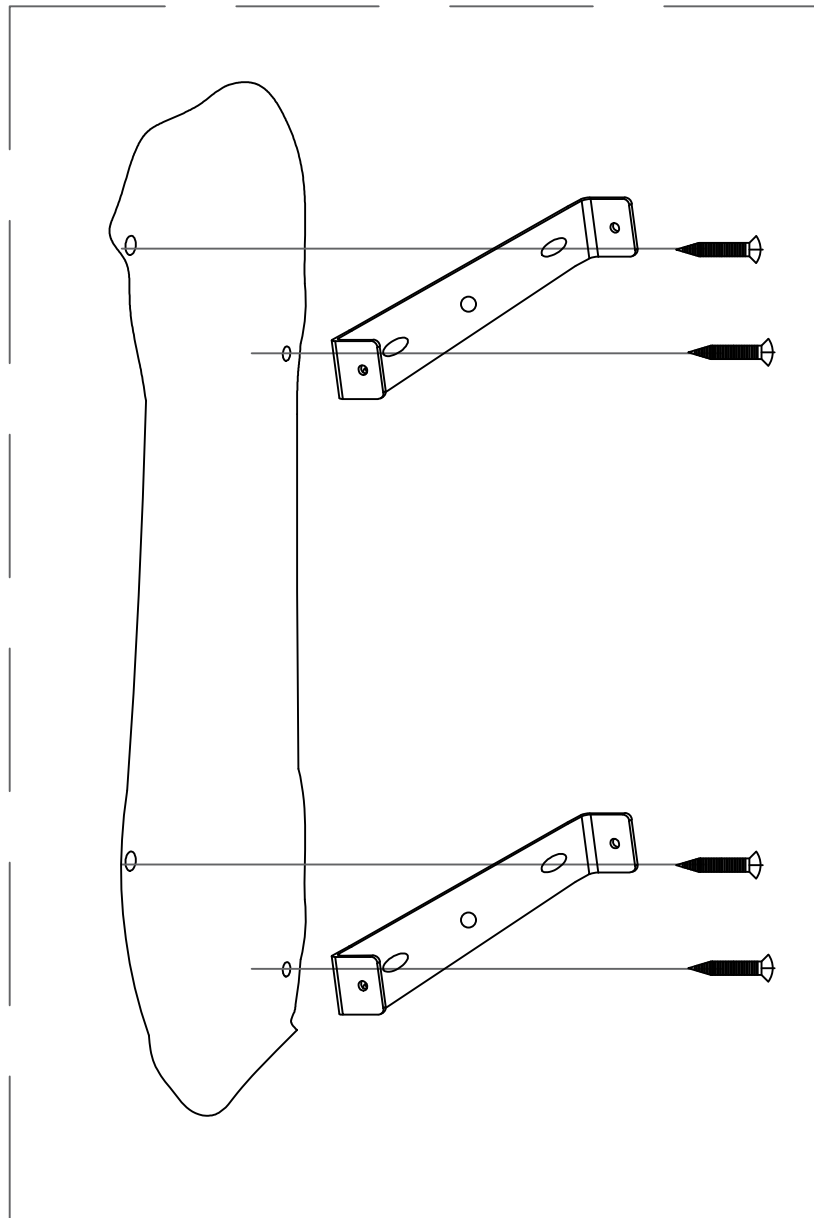


⑩ Install the wall mount



⑪ Wire and plug wire (same color connected together)

4



Fix the hanging plate to the wall with screws

5

The side screws fix the lamp body to the hanging plate

