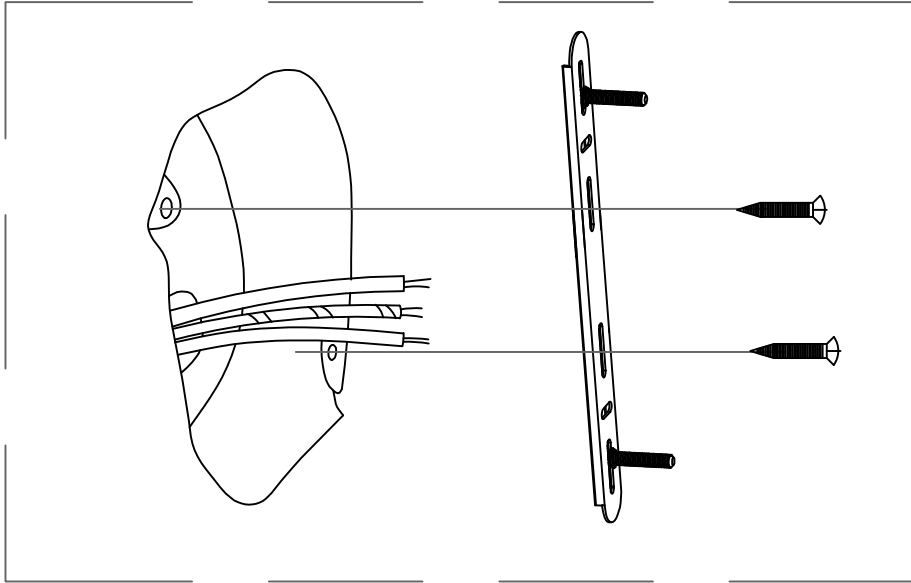
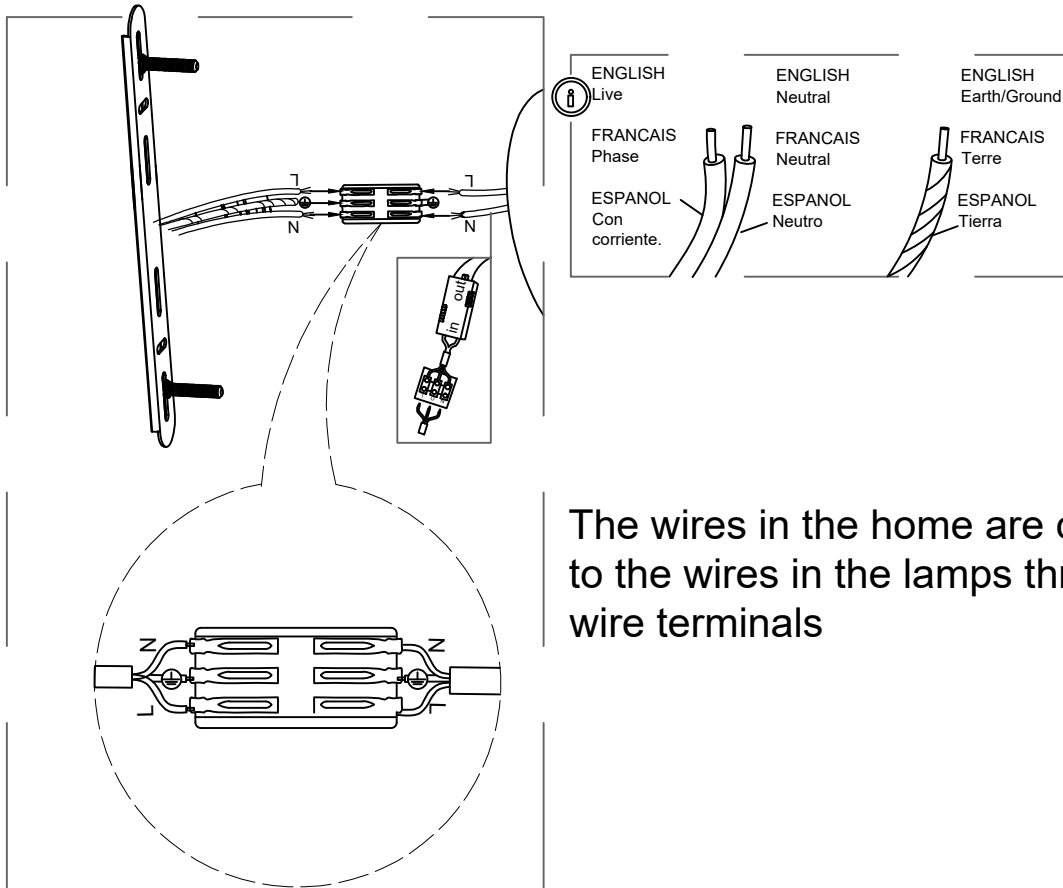


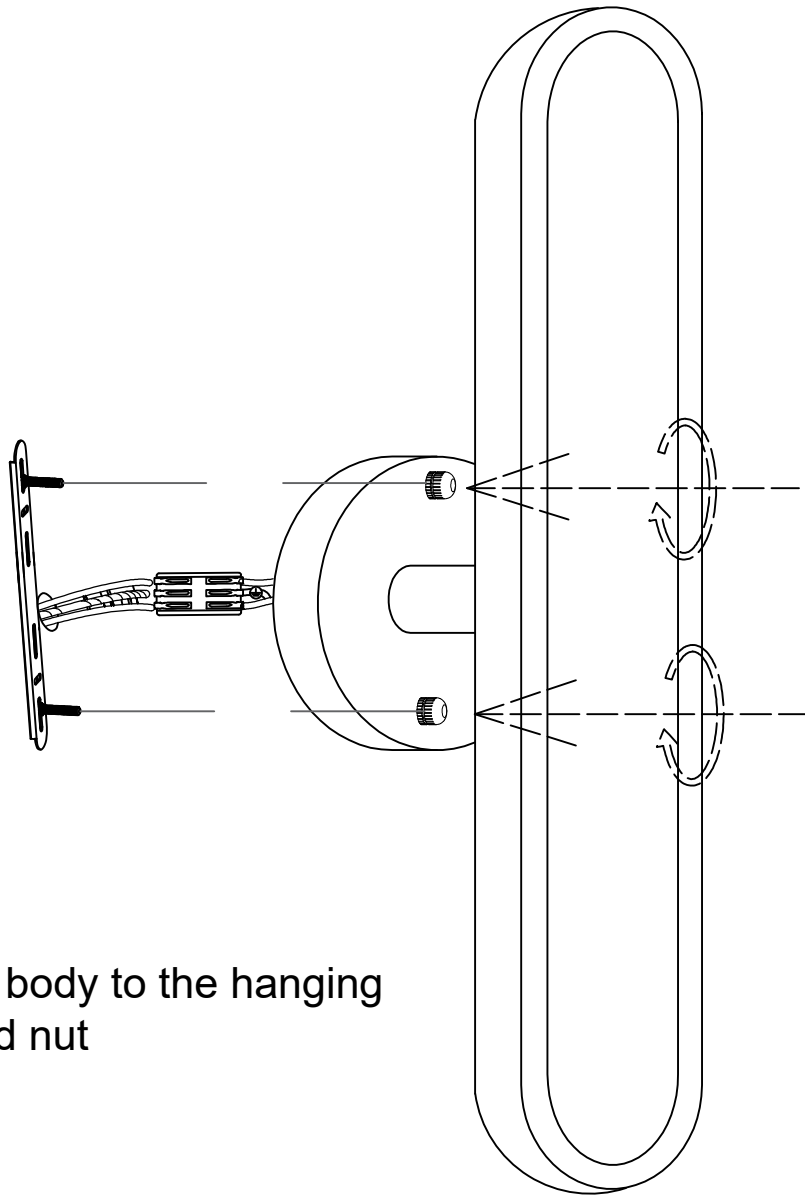
# 1



Attach the hanging plate to the wall with screws



# 2



Attach the lamp body to the hanging plate with a hand nut