

INSTALLATION INSTRUCTIONS

CAUTION

Turn off the power to the main circuit panel before starting.

CAUTION

The light source for this product is a non-replaceable LED. Do not disassemble the product, as the LED may damage your eyes.

Do not immerse in water.



WARNINGS

Failure to follow assembly instructions may result in a fire or electric shock hazard.

CAUTION

Pulling the light fixture out of the surface may cause personal injury and damage to the fixture and/or the mounting surface. To reduce the likelihood of such injury or damage, install it only on surfaces with intact mechanical structures.



WARNINGS

Different materials require different fittings. Always select screws and plugs specifically matched to the material.



WARNINGS

Failure to follow assembly instructions may result in a fire or electric shock hazard.



WARNINGS

Choking hazard. Keep the power cord at least 3 feet away from cribs, bassinets, and toddler beds.



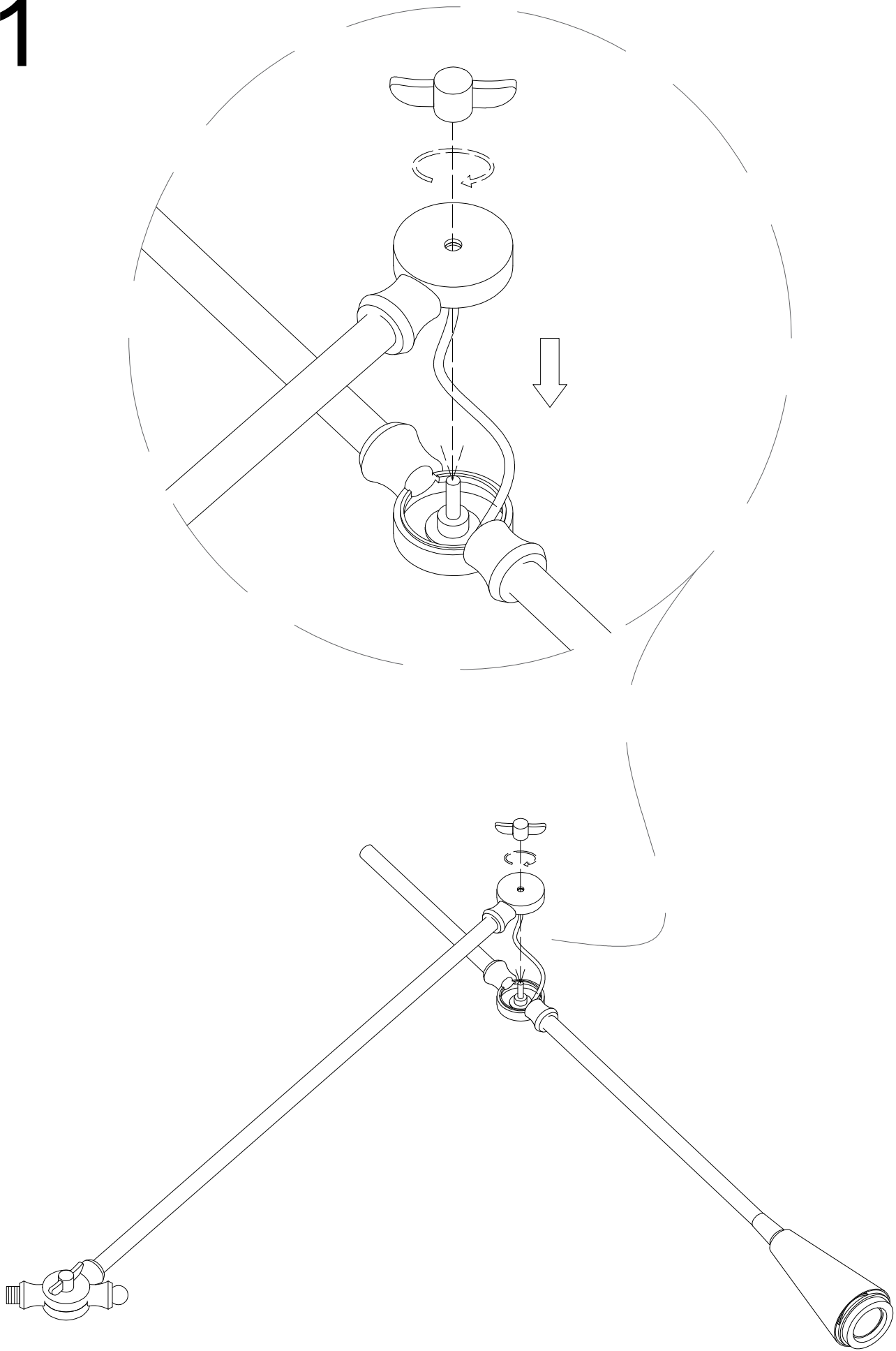
CARE AND MAINTENANCE

Handle with Care: Please exercise caution during assembly and cleaning to avoid scratches or breakage.

Cleaning Instructions: Do not use any chemical solvents or abrasive cleaners on the lampshade, as they may damage the finish. Use only a soft, dry cloth to remove dust.

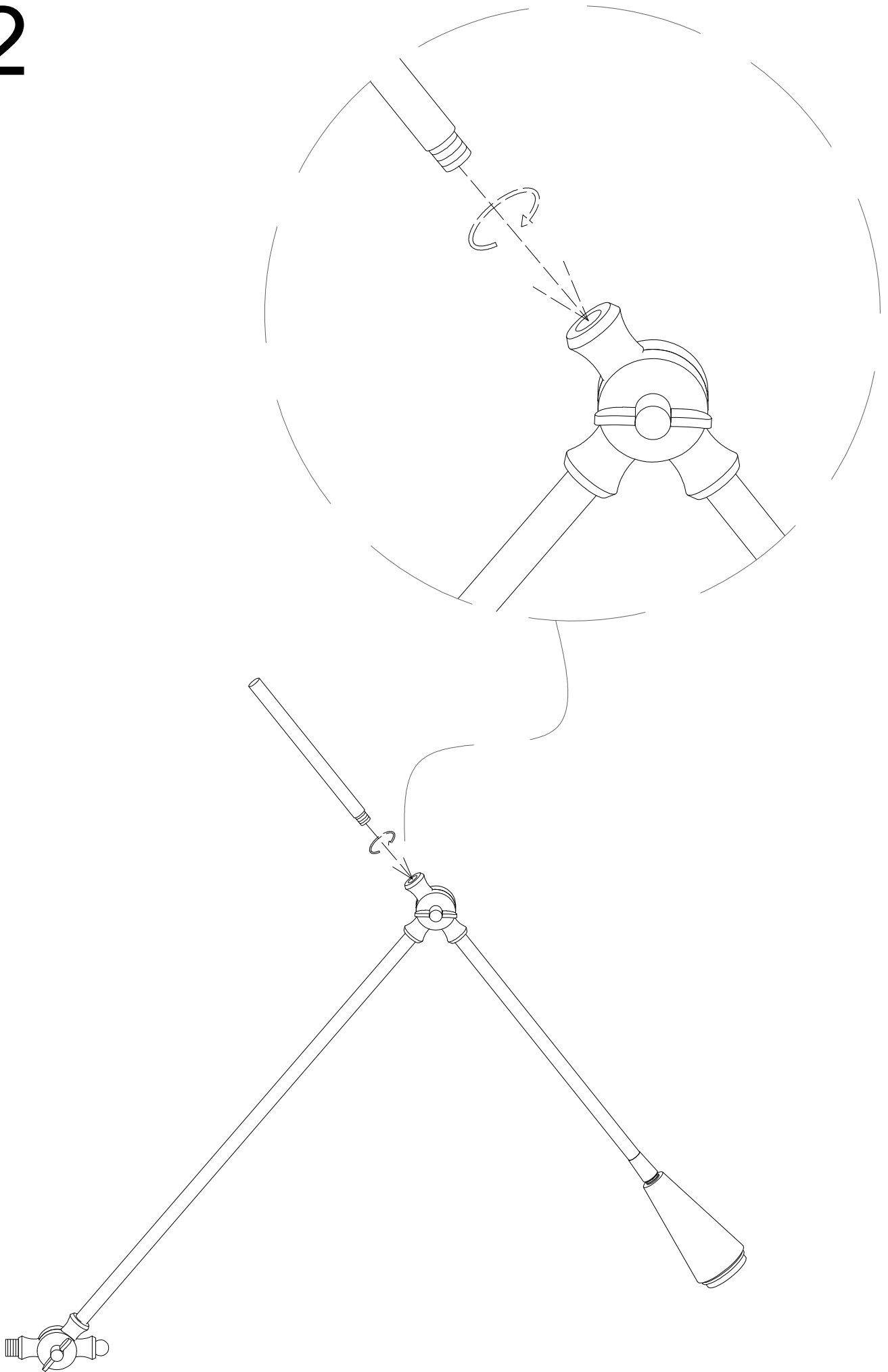
THIS PRODUCT IS NOT A TOY AND HAS NO PLAY VALUE.

1



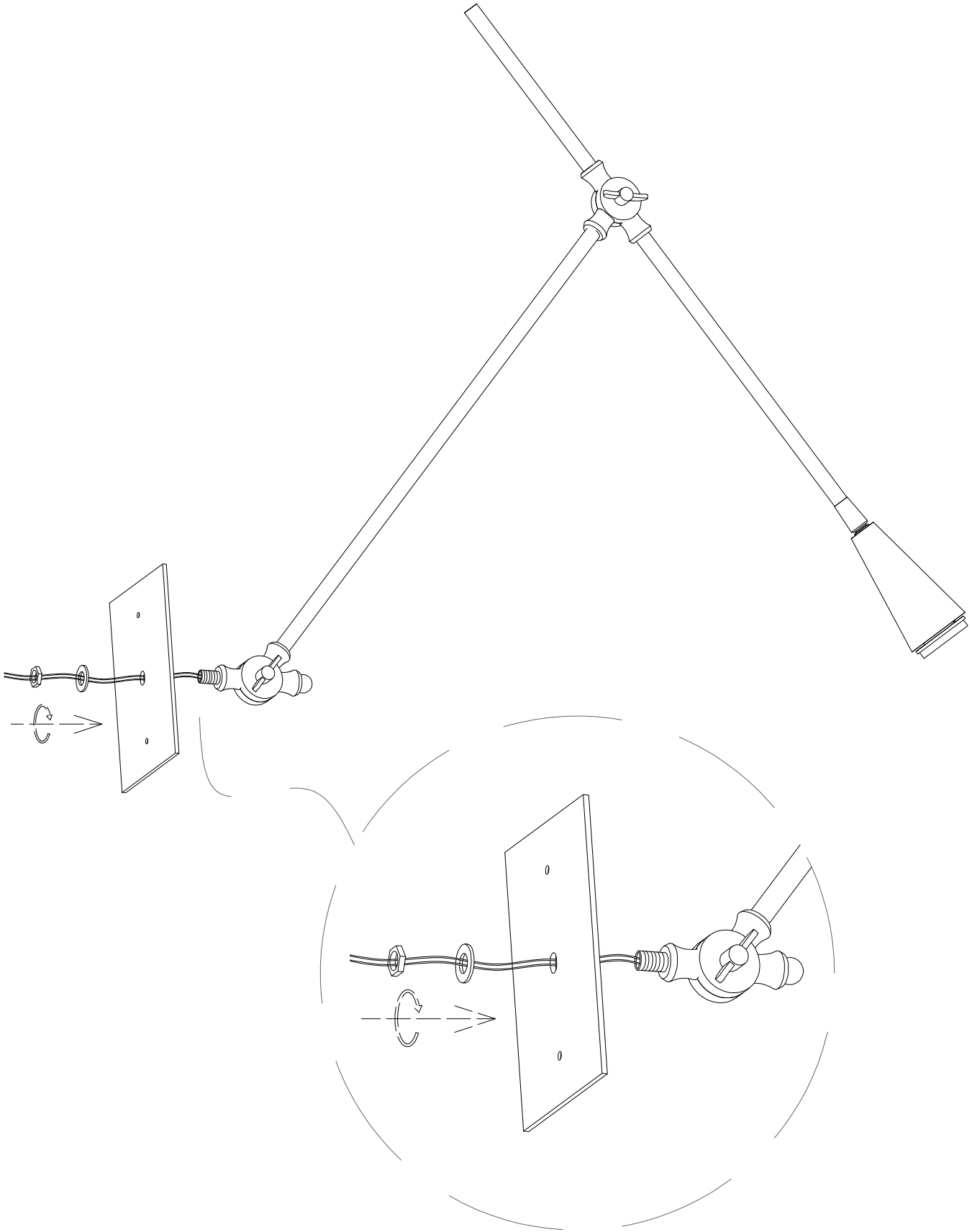
Tighten the machine parts to fix the lamp body

2



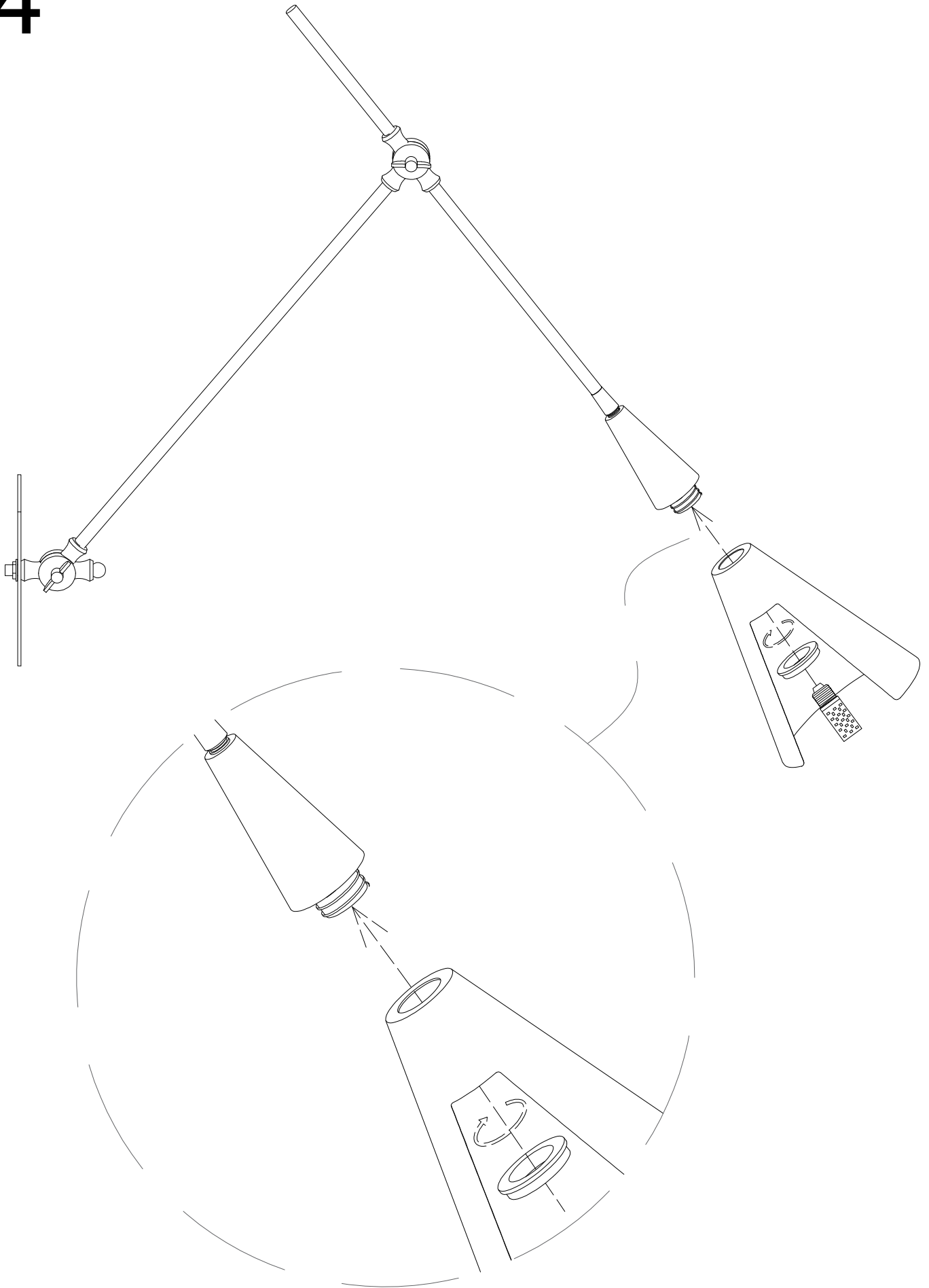
Screw on the metal tube

3



Tighten the nuts to secure the wall panel and lamp body.

4



Tighten the lamp holder ring to secure the lampshade and install the light bulb.

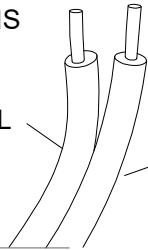
5



ENGLISH
Live

FRANCAIS
Phase

ESPAÑOL
Con corriente.



ENGLISH
Neutral

FRANCAIS
Neutal

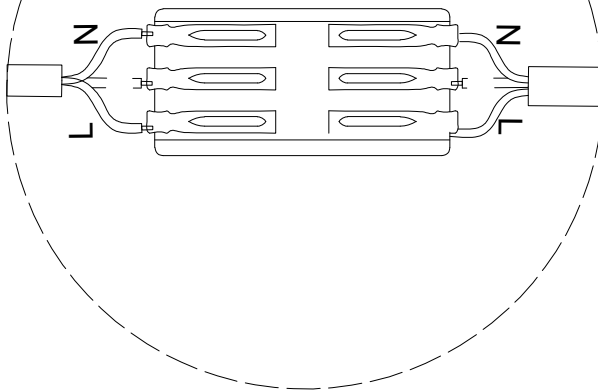
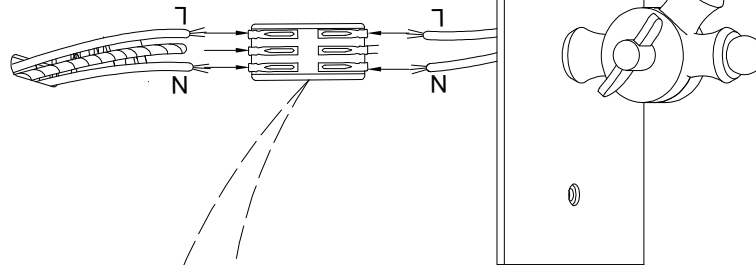
ESPAÑOL
Neutro



ENGLISH
Earth/Ground

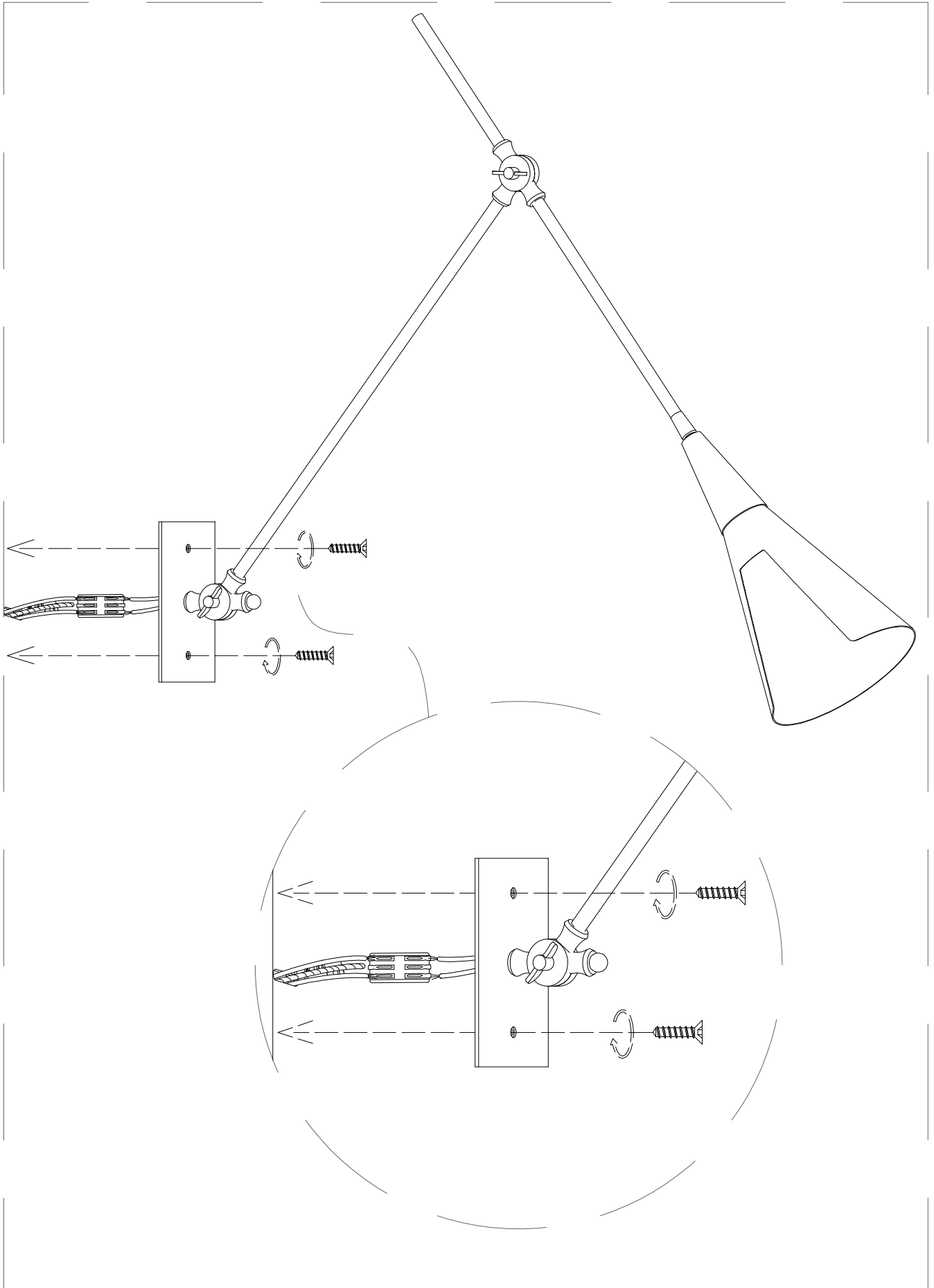
FRANCAIS
Terre

ESPAÑOL
Tierra



Connect to the pre-installed wiring in the wall

6



Secure the light fixture to the wall using self-tapping screws that pass through the wall panel.