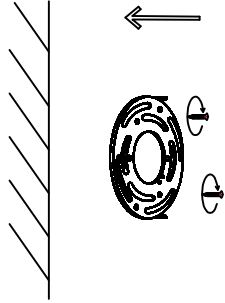
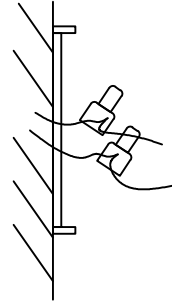


1



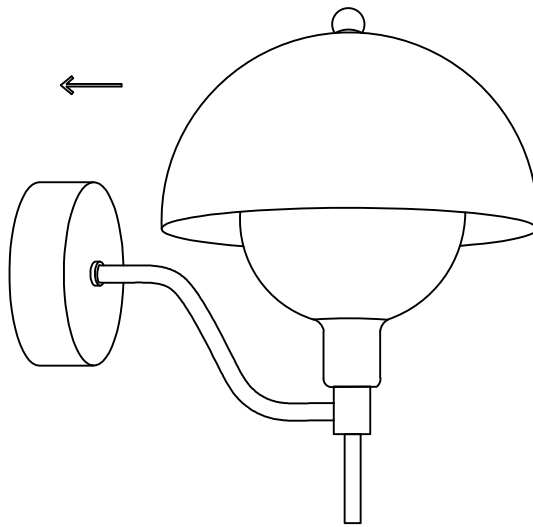
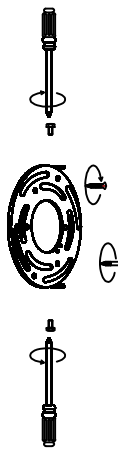
Install the hanging plate on the wall

2



The electric wires in the home connect to the light fixtures

3



Install the lamp body on the hanging plate