

1

IMPORTANT SAFETY INSTRUCTIONS

This product uses a polarized plug (one prong is wider than the other) to reduce the risk of electric shock.

This plug can only be inserted into a polarized socket in one orientation.

If the plug cannot be fully inserted into the socket, reverse the plug.

If it still cannot be inserted, contact a qualified electrician.

Never use an extension cord unless the plug can be fully inserted.

Do not attempt to disable the safety features of the polarized plug. Do not modify the plug.

Note:

To prevent electric shock, align the wider prong of the plug with the wider slot of the socket and insert it fully.



WARNINGS

Failure to follow assembly instructions may result in a risk of fire or electric shock.



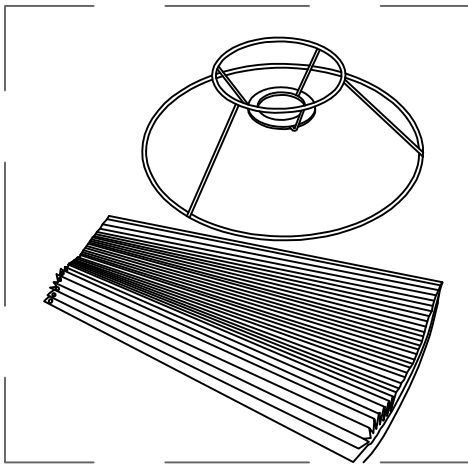
WARNINGS

Choking hazard. Keep the power cord at least 3 feet away from cribs, bassinets, and toddler beds.

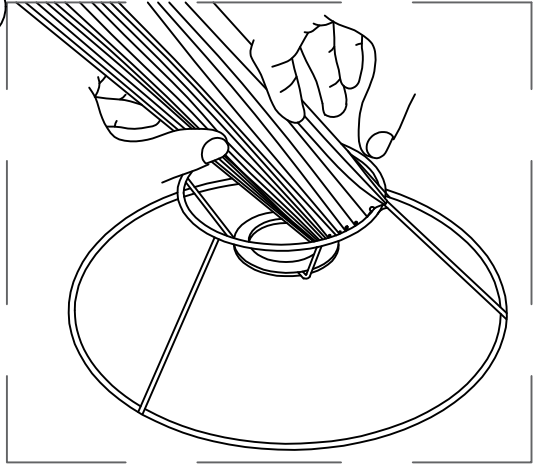
THIS PRODUCT IS NOT A TOY AND HAS NO PLAY VALUE.

2

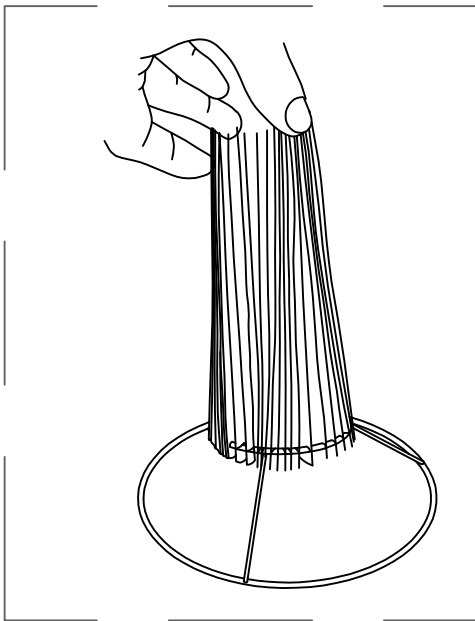
①



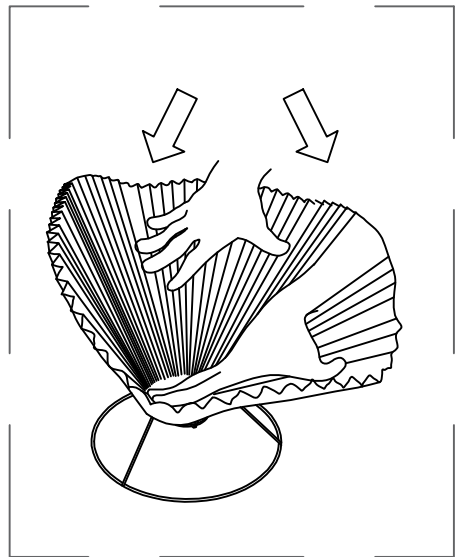
②



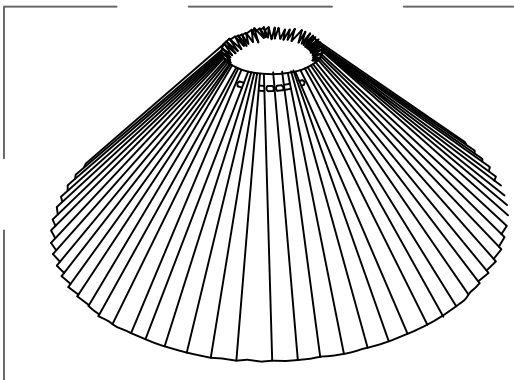
③



④

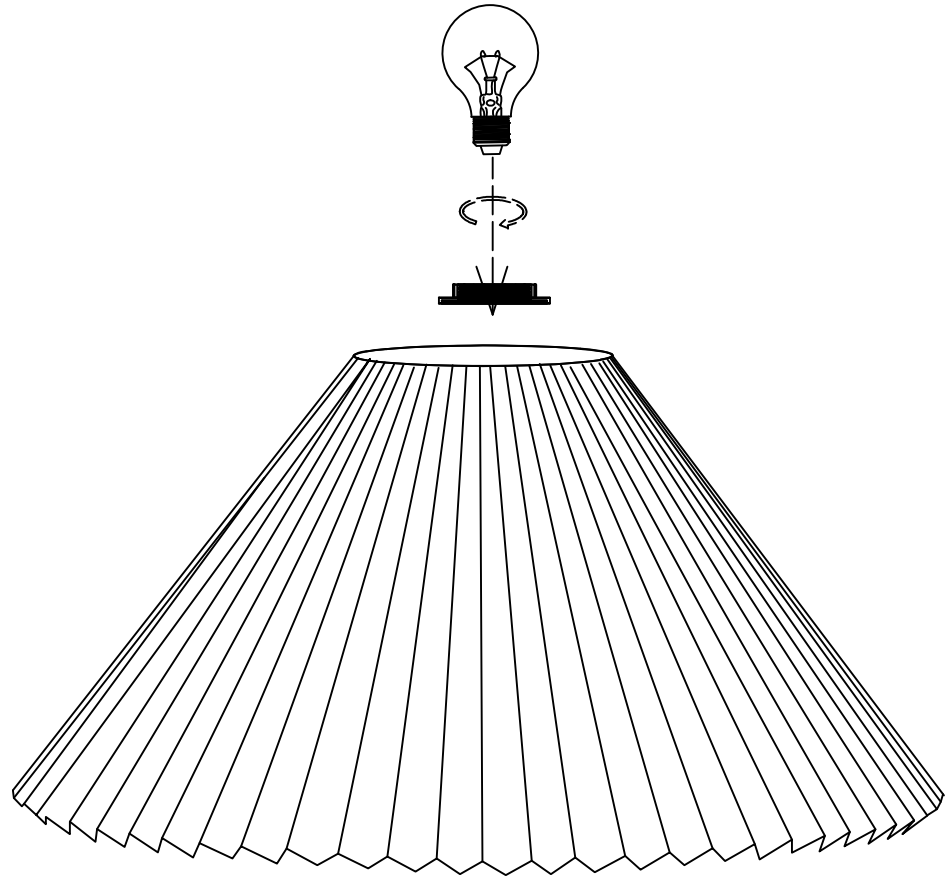


⑤

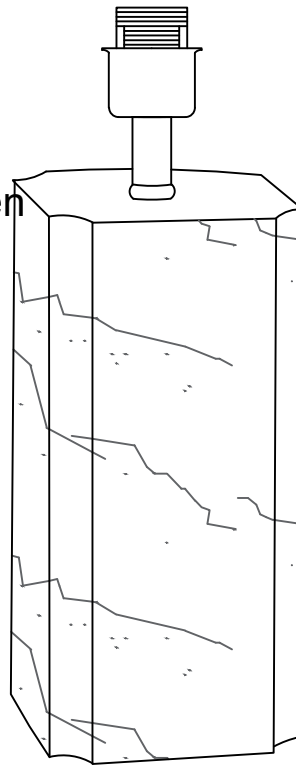


Install the pleated lampshade according to the steps above

3

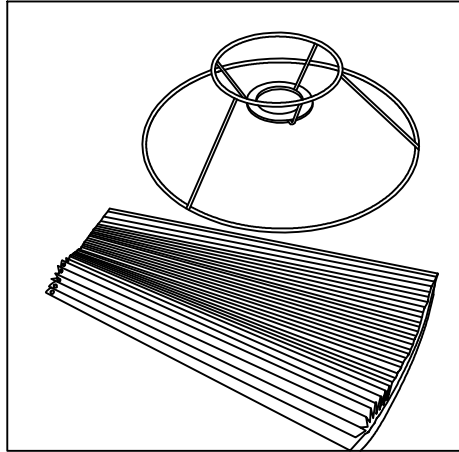


The lampshade is twisted onto the lamp head with a tooth ring, and then the bulb is installed

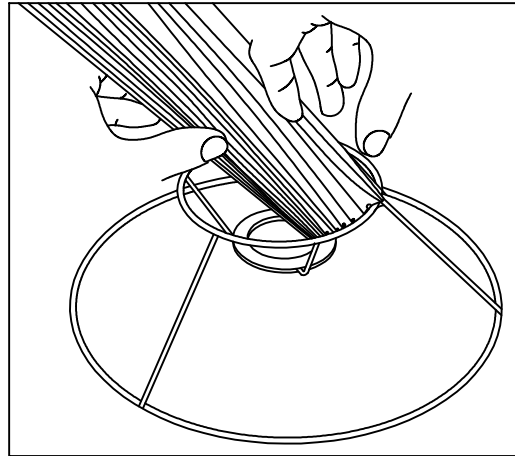


Installation Instructions

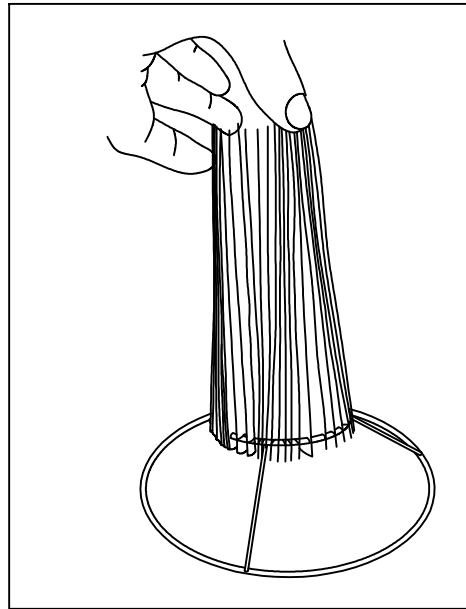
1



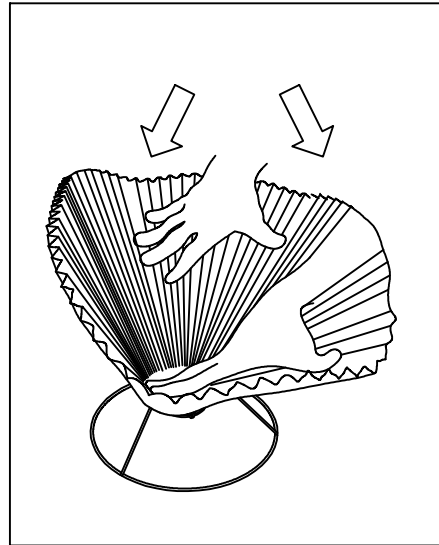
2



3



4



5

