

IMPORTANT SAFETY INSTRUCTIONS

This product uses a polarized plug (one prong is wider than the other) to reduce the risk of electric shock.

This plug can only be inserted into a polarized socket in one orientation.

If the plug cannot be fully inserted into the socket, reverse the plug.

If it still cannot be inserted, contact a qualified electrician.

Never use an extension cord unless the plug can be fully inserted.

Do not attempt to disable the safety features of the polarized plug. Do not modify the plug.

Note:

To prevent electric shock, align the wider prong of the plug with the wider slot of the socket and insert it fully.



WARNINGS

Failure to follow assembly instructions may result in a risk of fire or electric shock.



WARNINGS

Choking hazard. Keep the power cord at least 3 feet away from cribs, bassinets, and toddler beds.



CARE AND MAINTENANCE

Handle with Care: Please exercise caution during assembly and cleaning to avoid scratches or breakage.

Cleaning Instructions: Do not use any chemical solvents or abrasive cleaners on the lampshade, as they may damage the finish. Use only a soft, dry cloth to remove dust.

THIS PRODUCT IS NOT A TOY AND HAS NO PLAY VALUE.

Dimming the Light:

When the lamp is powered on, it automatically starts in dimming mode.

To adjust the brightness, press the dimmer button briefly. Each press will cycle through the different brightness levels.

Changing the Color Temperature:

While the lamp is powered on, press and hold the dimmer button for about 2–3 seconds.

This will switch the lamp between the two available color temperatures (usually warm white and cool white).

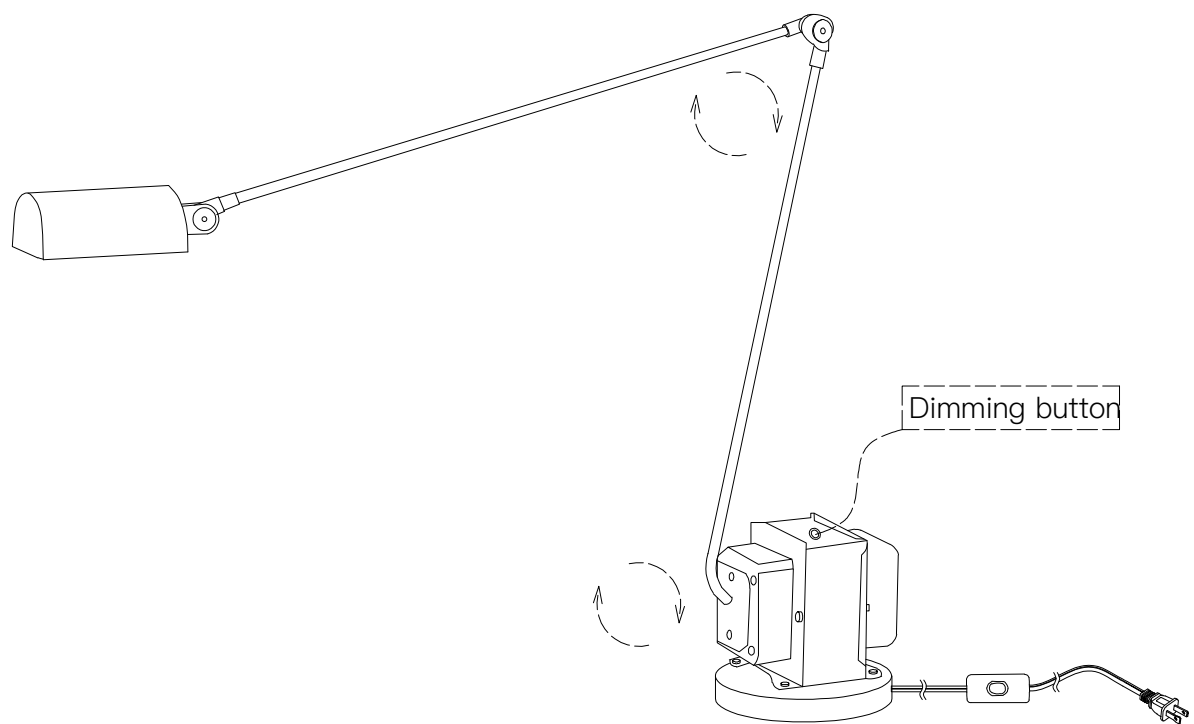
You can release the button once the color temperature changes to your preference.

Returning to Dimming Mode:

If you turn off the lamp and then turn it back on, it will default back to dimming mode.

You can then repeat the above steps to adjust brightness or switch color temperatures again.

Tip: For best results, make sure to press and hold the button steadily until the color temperature changes. Quick taps will only adjust the brightness, not the color temperature.



Note: Please hold the base firmly before adjusting the angle.