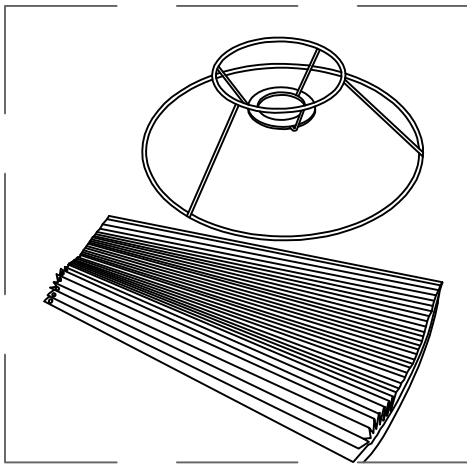
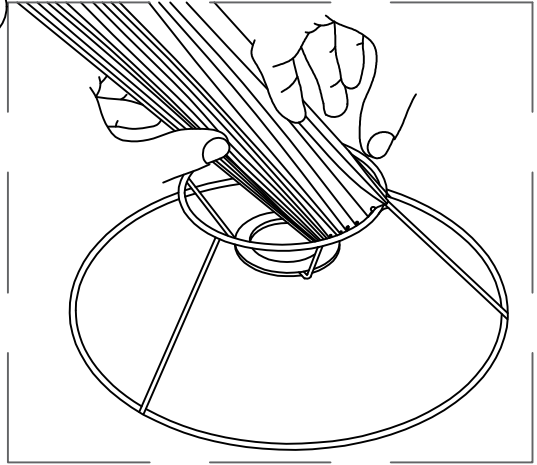


# 1

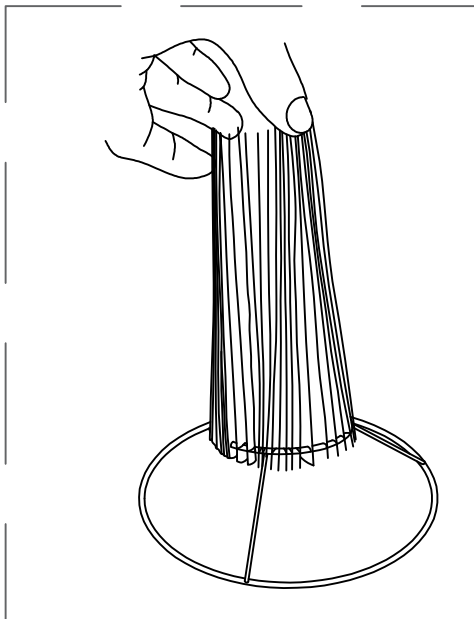
①



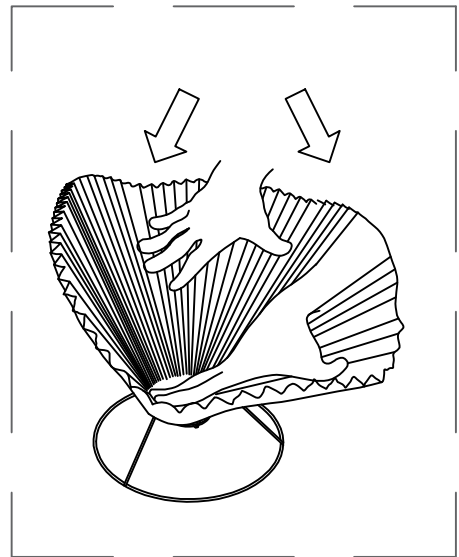
②



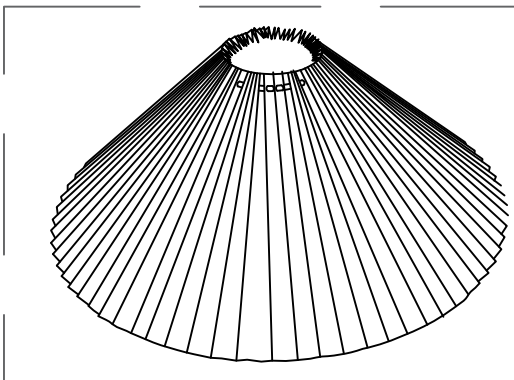
③



④

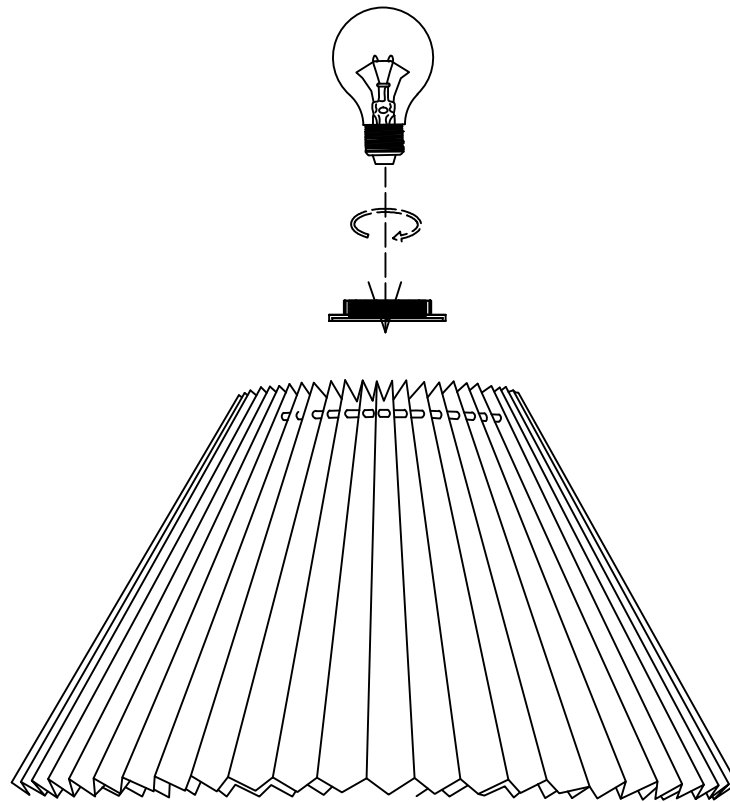


⑤



Install the pleated lampshade according to the steps above

# 2



The lampshade is twisted onto the lamp head with a tooth ring, and then the bulb is installed

