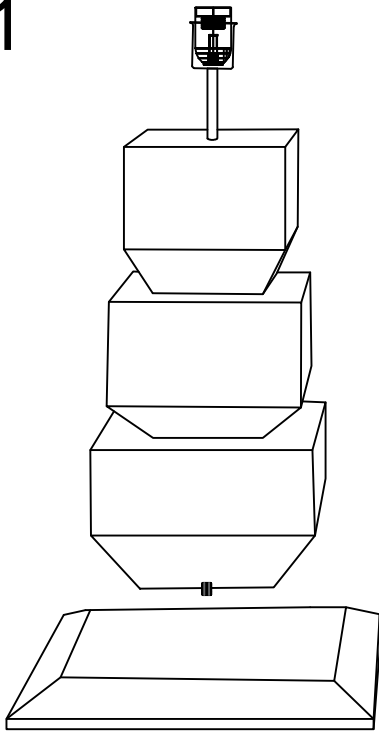
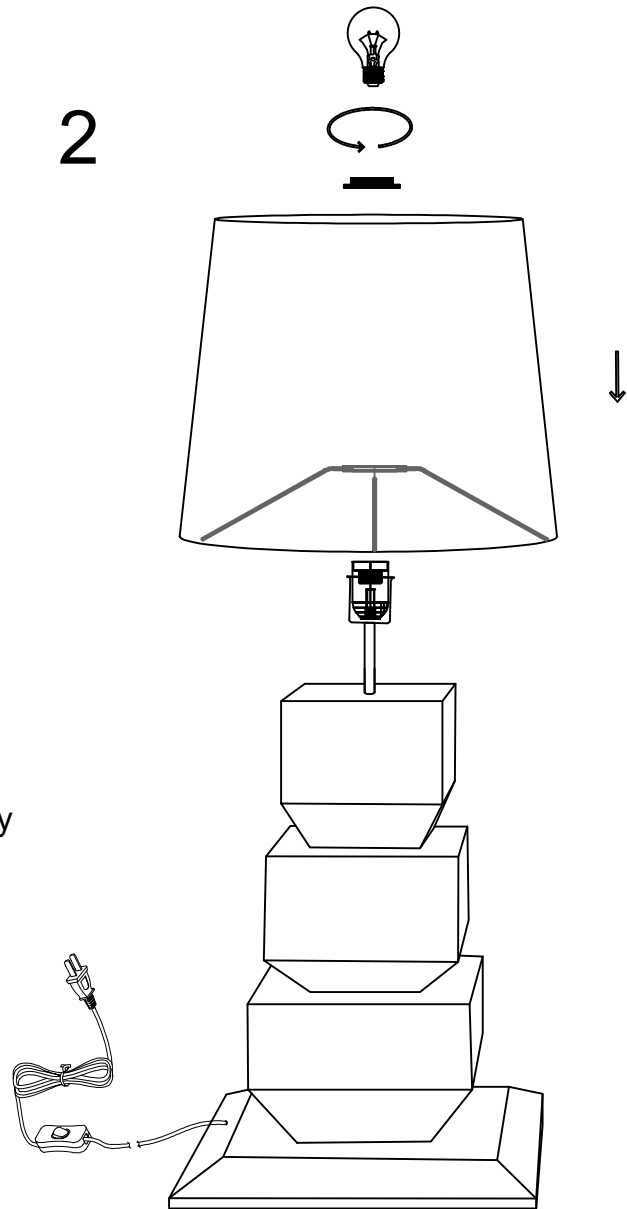


1



Lock the base to the lamp body with setting screws and nuts

2



Install bulb and lampshade