

1: Tighten the lamp head and bracket with a ring and install the light bulb

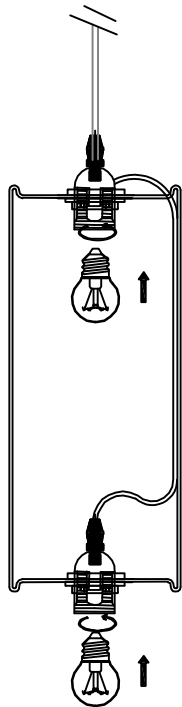
2: Fix the lampshade at the top of the bracket and pull it downwards

3: Fix the hanging board to the ceiling

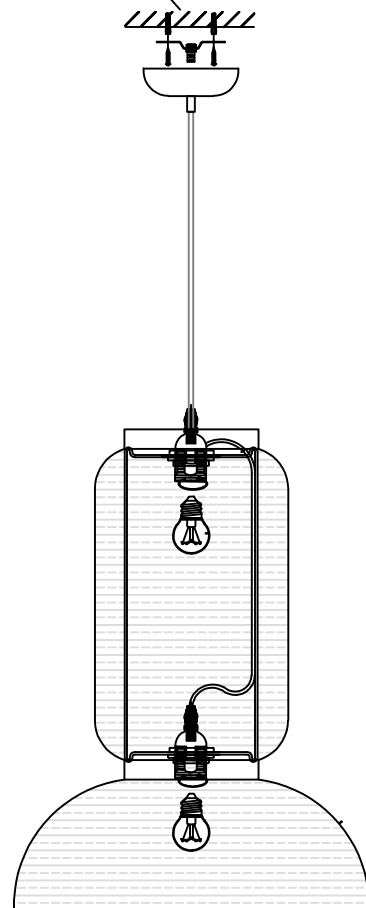
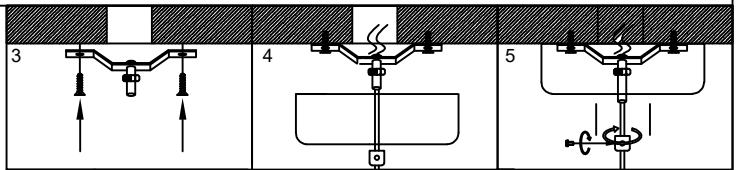
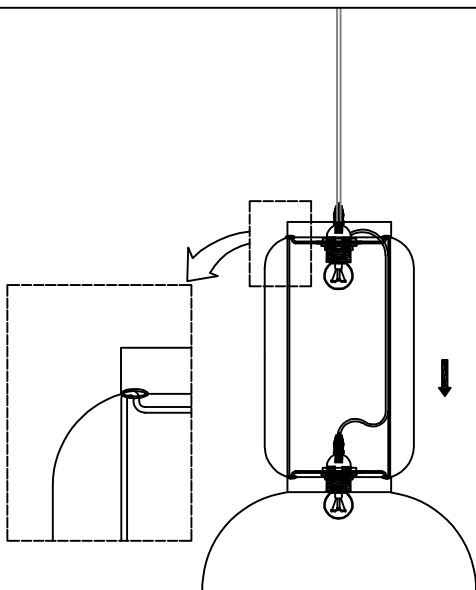
4: Connect the lamp wires to the reserved wires

5: Tighten the locking wire to fix the suction cup

1



2



1: Tighten the lamp head and bracket with a ring and install the light bulb

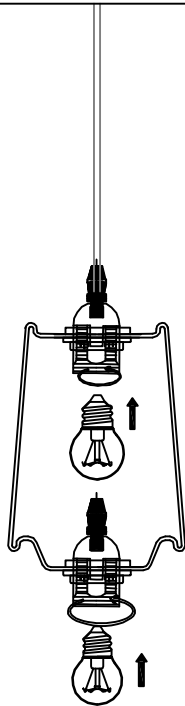
2: Fix the lampshade at the top of the bracket and pull it downwards

3: Fix the hanging board to the ceiling

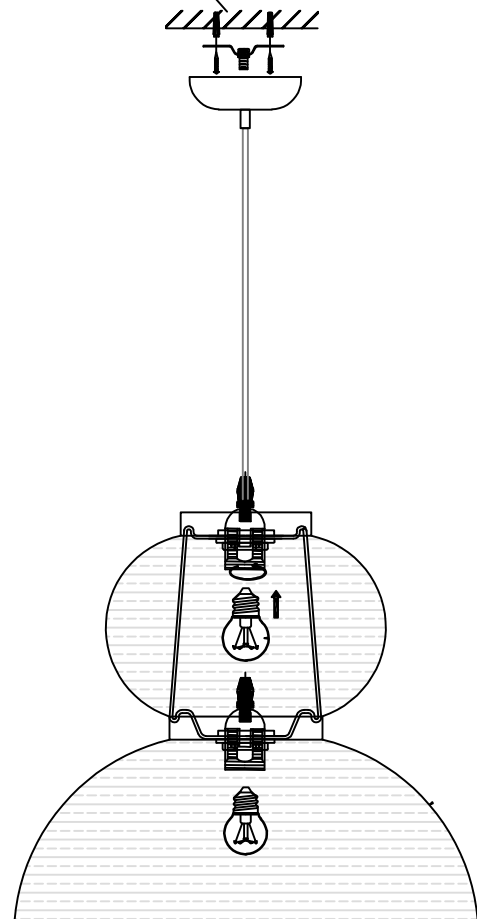
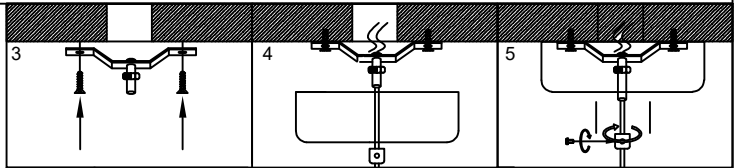
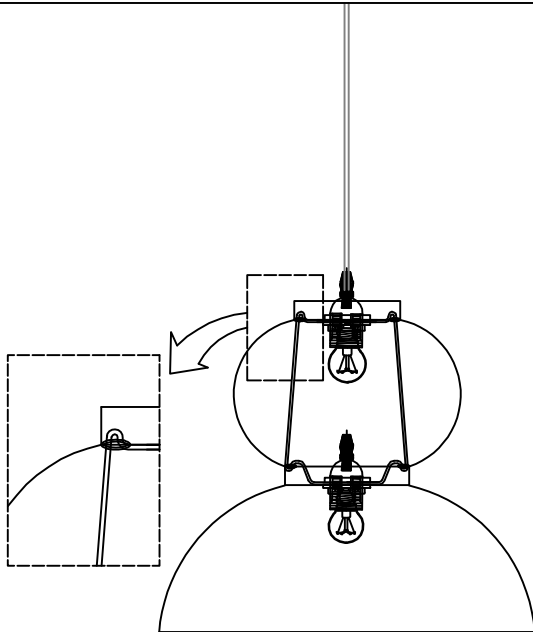
4: Connect the lamp wires to the reserved wires

5: Tighten the locking wire to fix the suction cup

1



2



1: Tighten the lamp head and bracket with a ring and install the light bulb

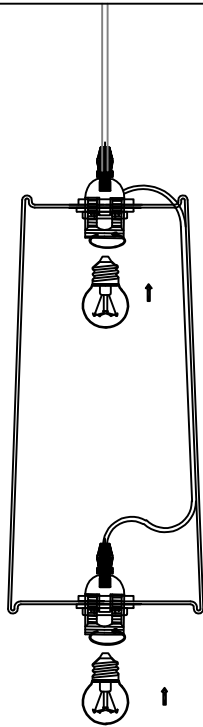
2: Fix the lampshade at the top of the bracket and pull it downwards

3: Fix the hanging board to the ceiling

4: Connect the lamp wires to the reserved wires

5: Tighten the locking wire to fix the suction cup

1



2

