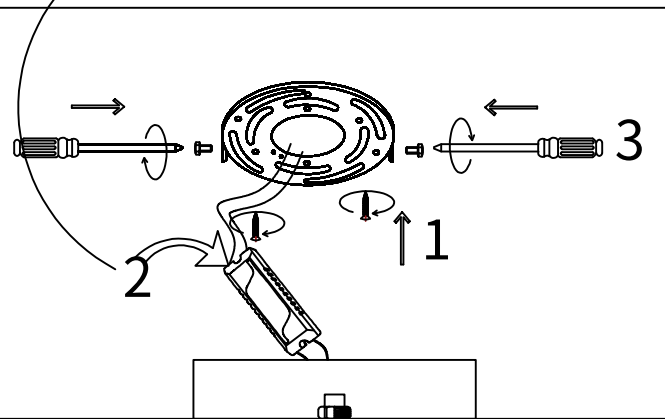
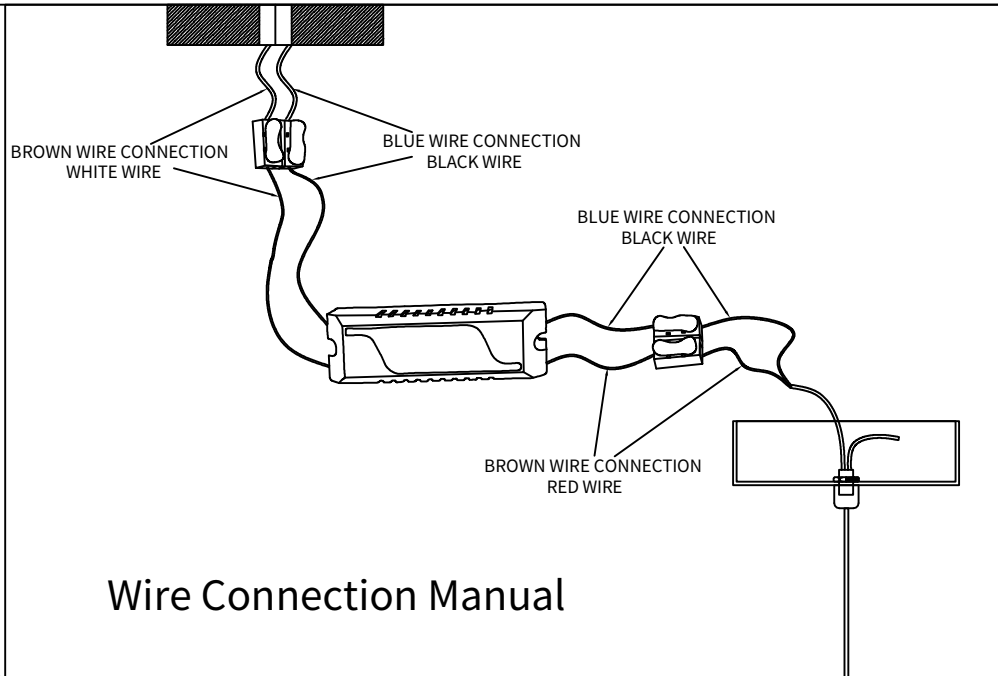


1:Fix the hanging board to the ceiling

2:Connect the lamp wires to the reserved wires

3:Fix the ceiling tray and hanging board from the side



Installation instructions for ceiling tray

Installation introduction

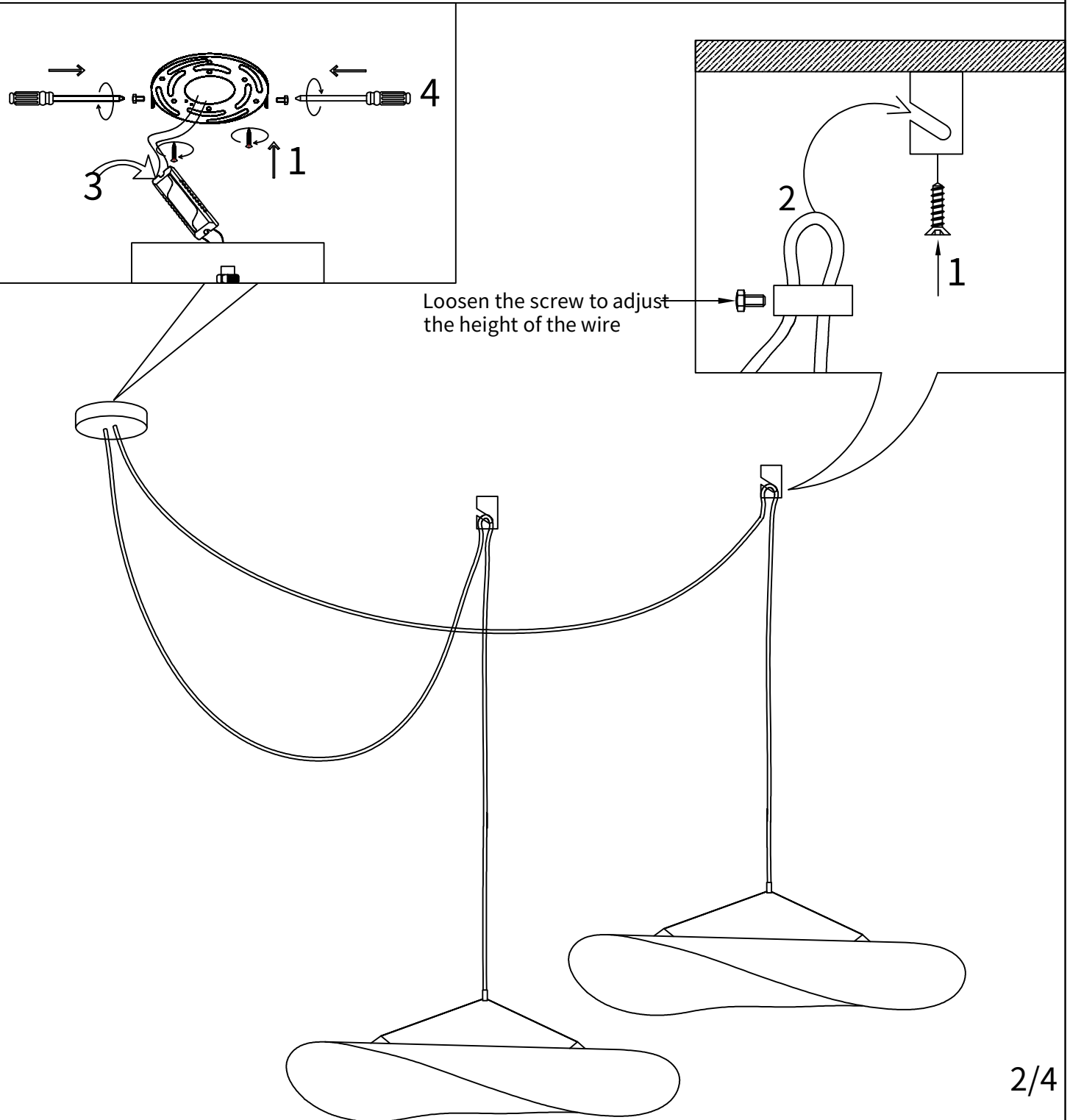
1. Before installation, you must install the LED driver.
If the LED driver is not linked, the light source of this lamp will be destroyed by high voltage electricity
2. Each of our lamps is equipped with an extra LED driver. If the lamp is damaged, you can replace it by yourself.
3. Each lamp is equipped with an installation instruction. Please install it according to the installation instruction. If you don't know how to install it, please contact our customer service team, or log in to our website to view the installation video of this lamp.

1: Fix the hanging board to the ceiling

2: Hang the wire on the hook

3: Connect the lamp wires to the reserved wires

4: Fix the ceiling tray and hanging board from the side



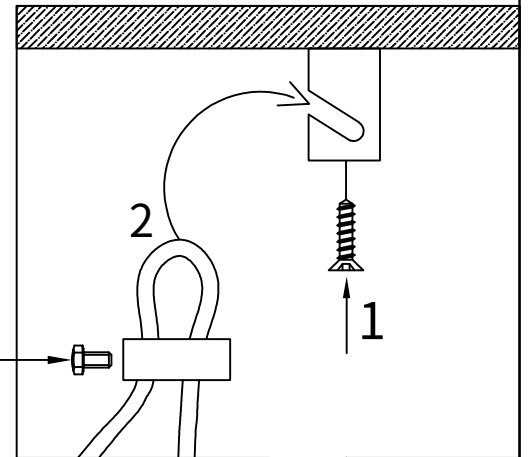
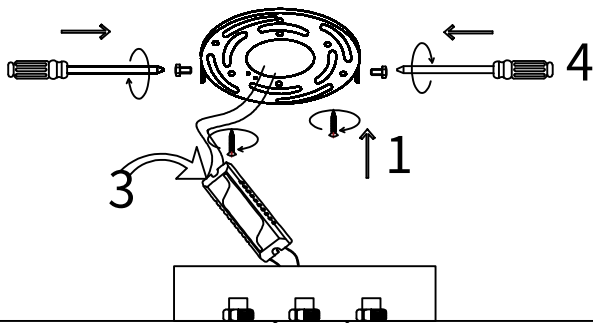
Attention: Please refer to the wiring instructions on the first page

1: Fix the hanging board to the ceiling

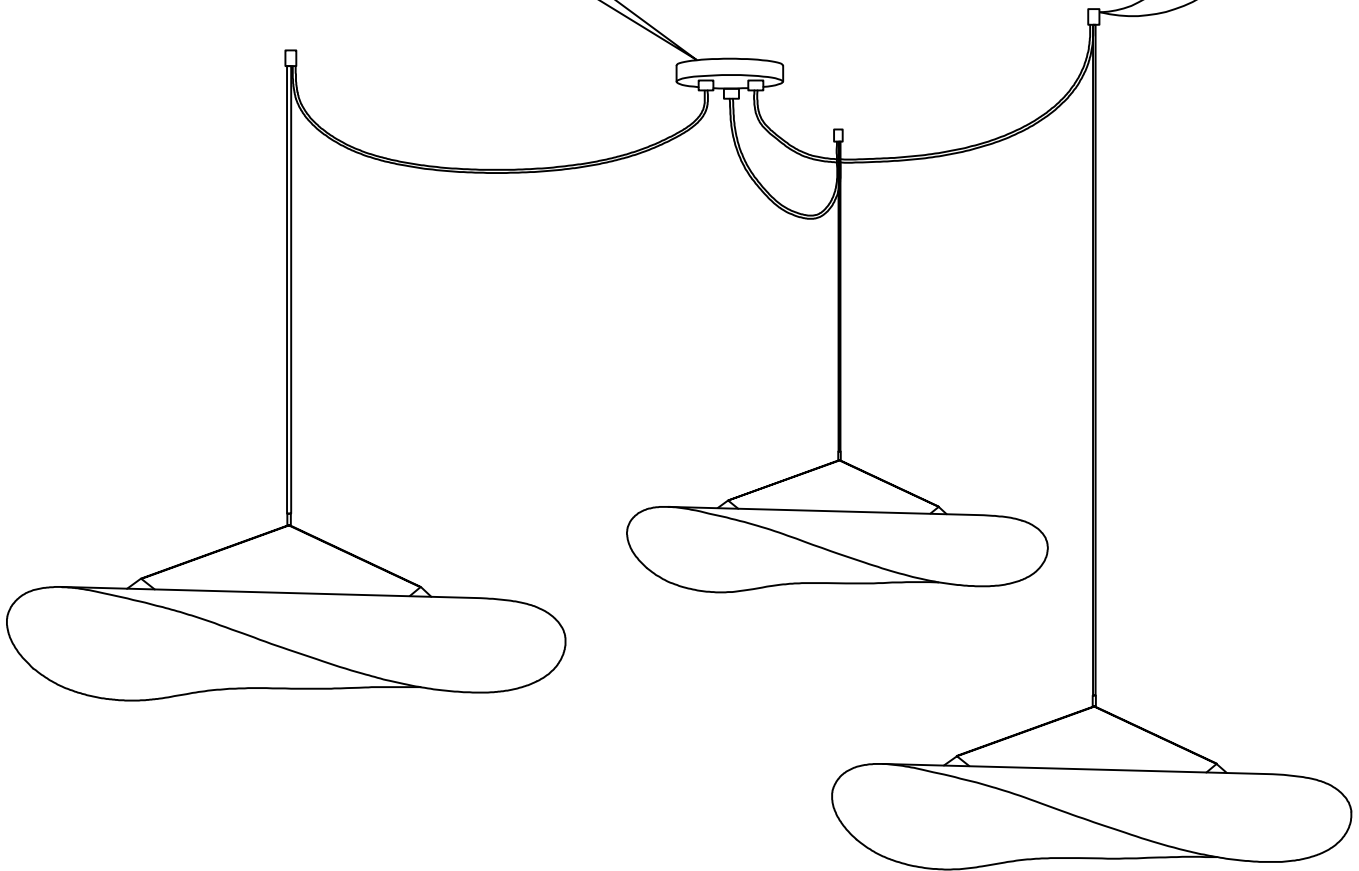
2: Hang the wire on the hook

3: Connect the lamp wires to the reserved wires

4: Fix the ceiling tray and hanging board from the side



Loosen the screw to adjust the height of the wire



1: Fix the hanging board to the ceiling

2: Hang the wire on the hook

3: Connect the lamp wires to the reserved wires

4: Fix the ceiling tray and hanging board from the side

