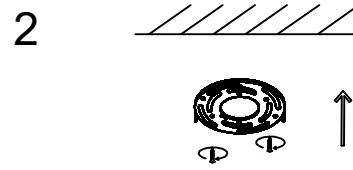
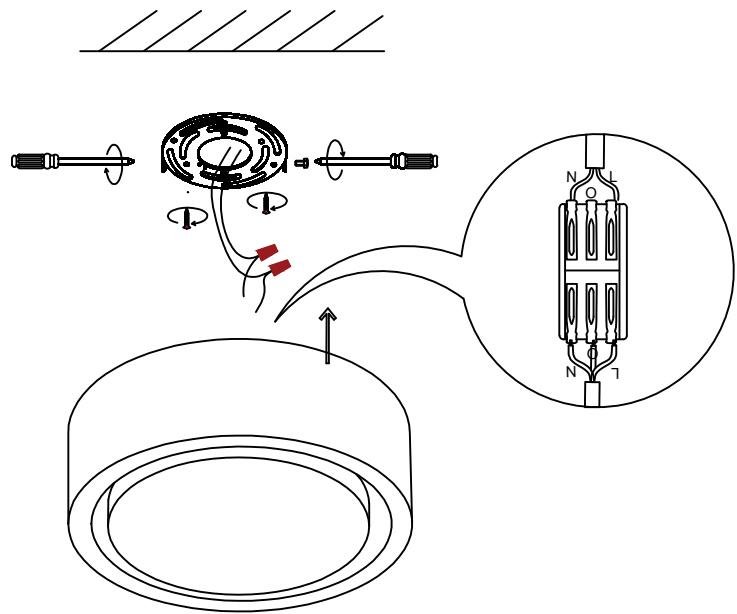


Drill holes in the ceiling and insert expansion screws



Install the hanging plate on the ceiling

3  
The electric wires in the home connect to the light fixtures



4  
Install the lamp body on the hanging plate