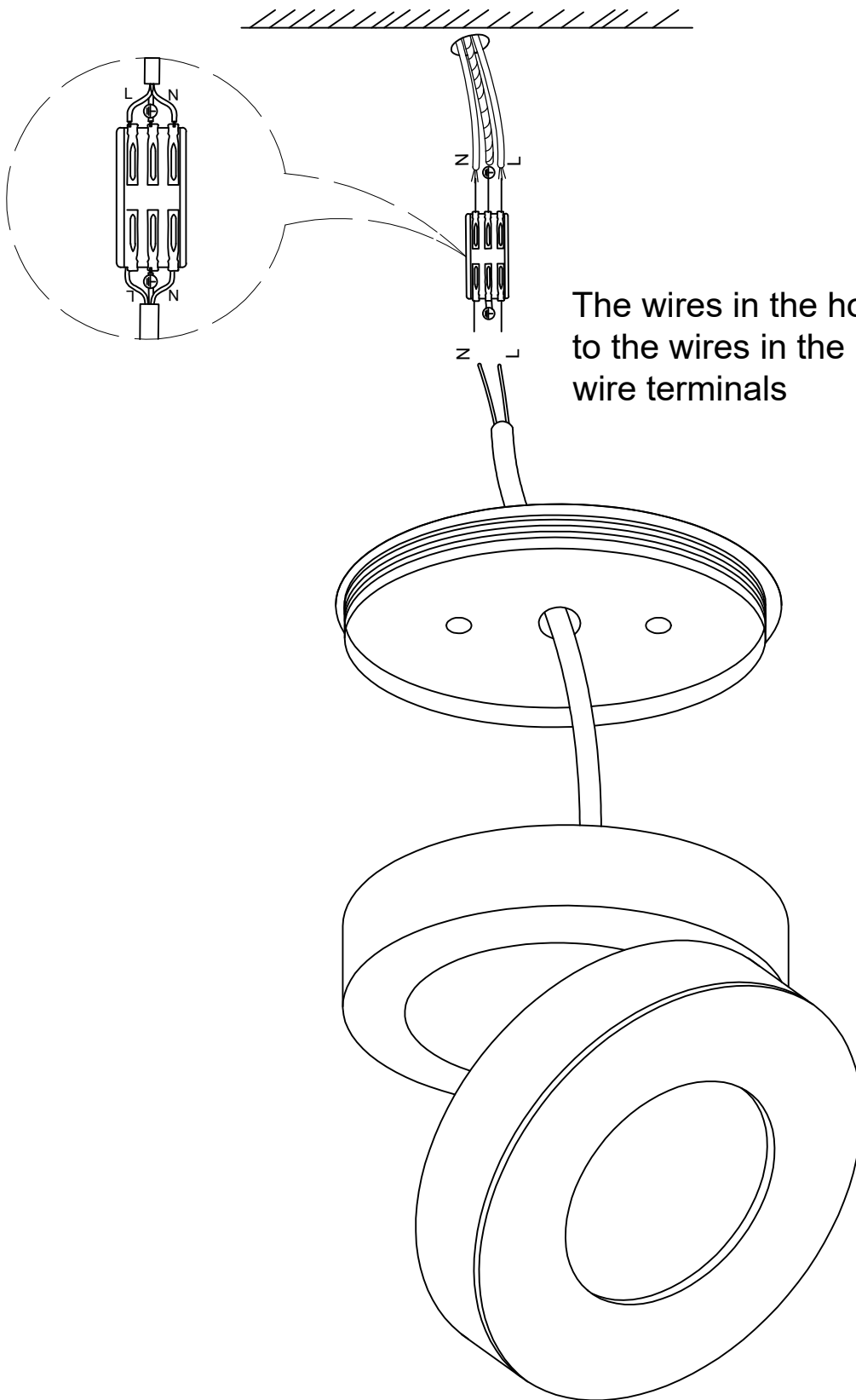
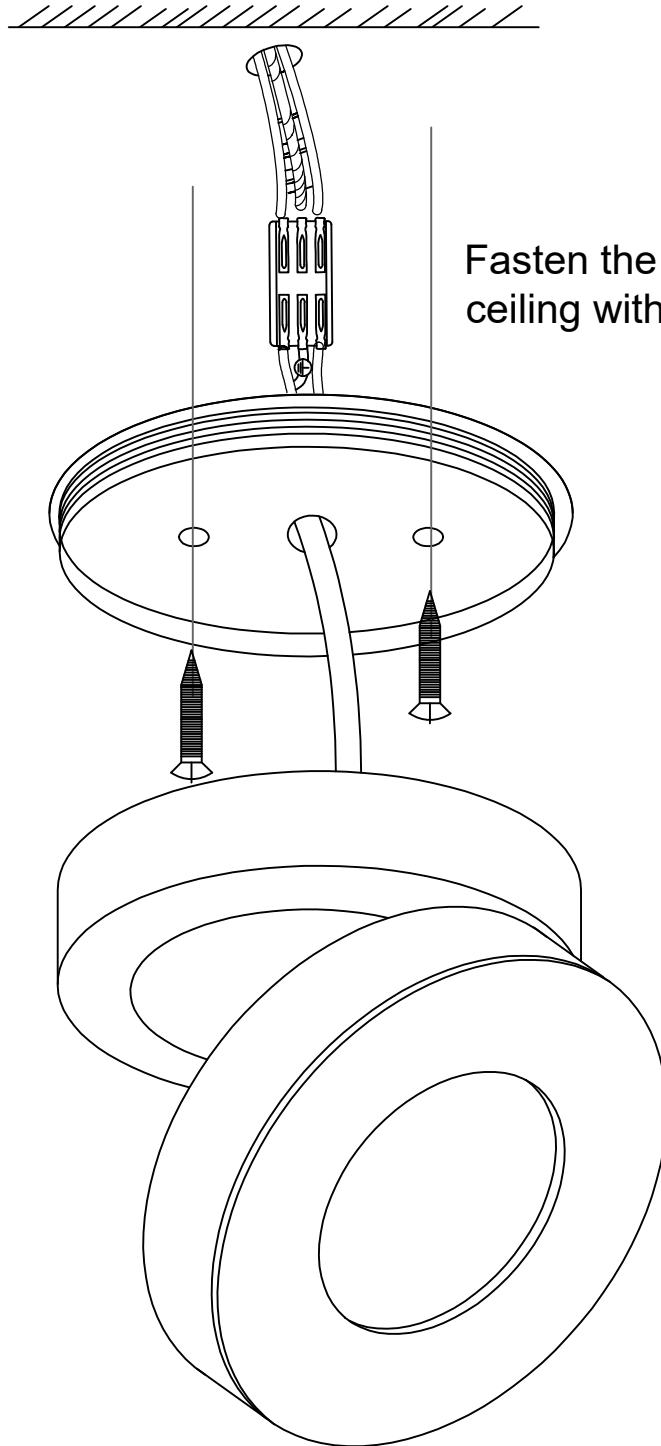


1



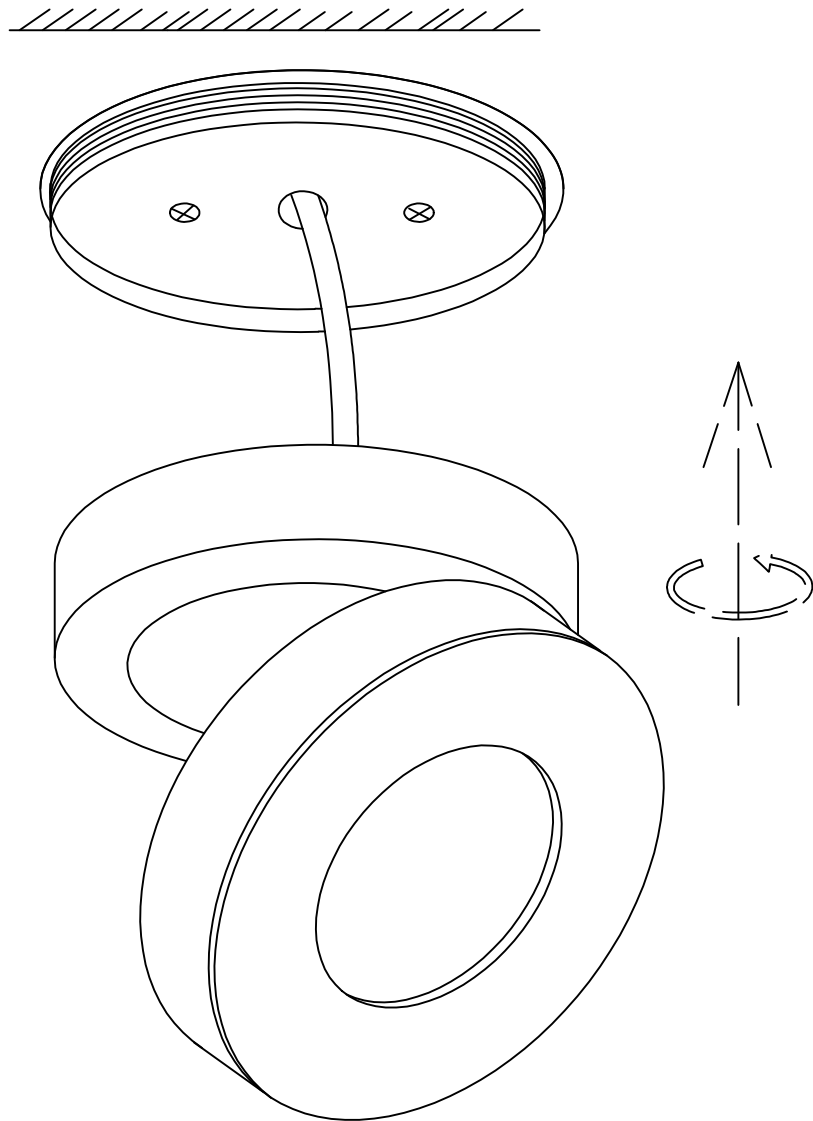
The wires in the home are connected to the wires in the lamps through the wire terminals

2



Fasten the hanging board to the ceiling with screws

3



Twist into the lamp body