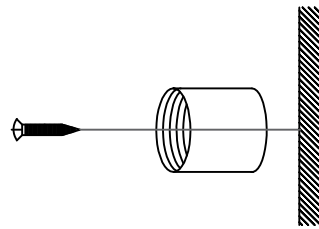
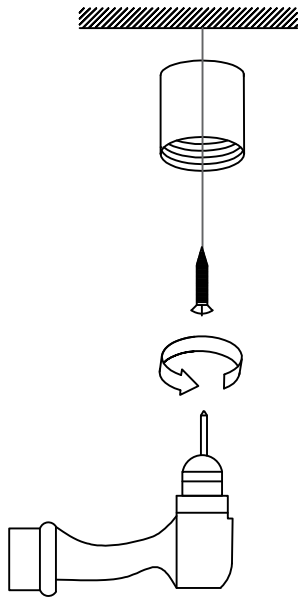
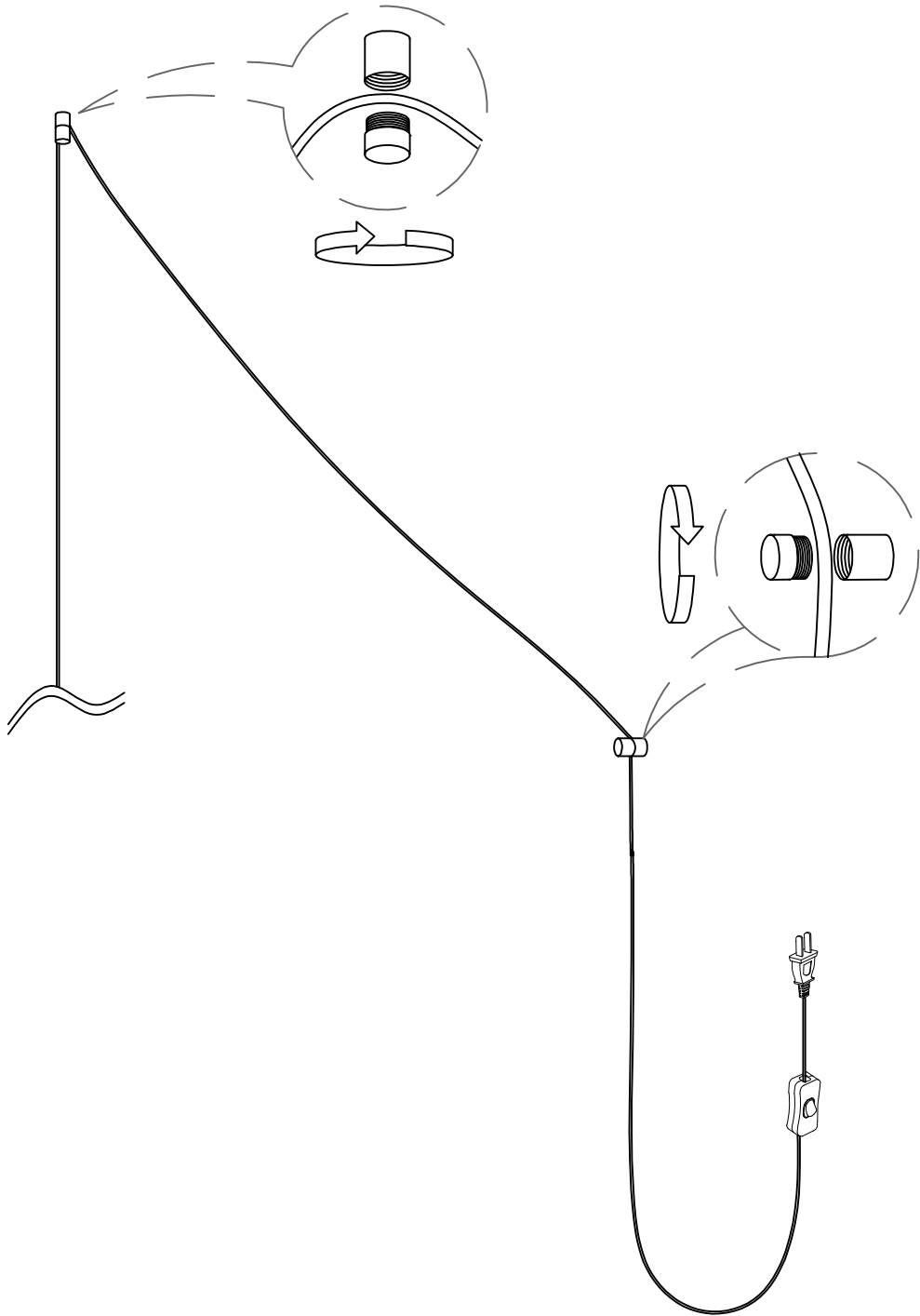


1



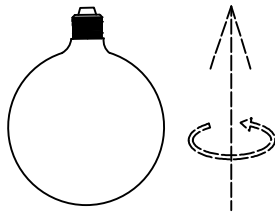
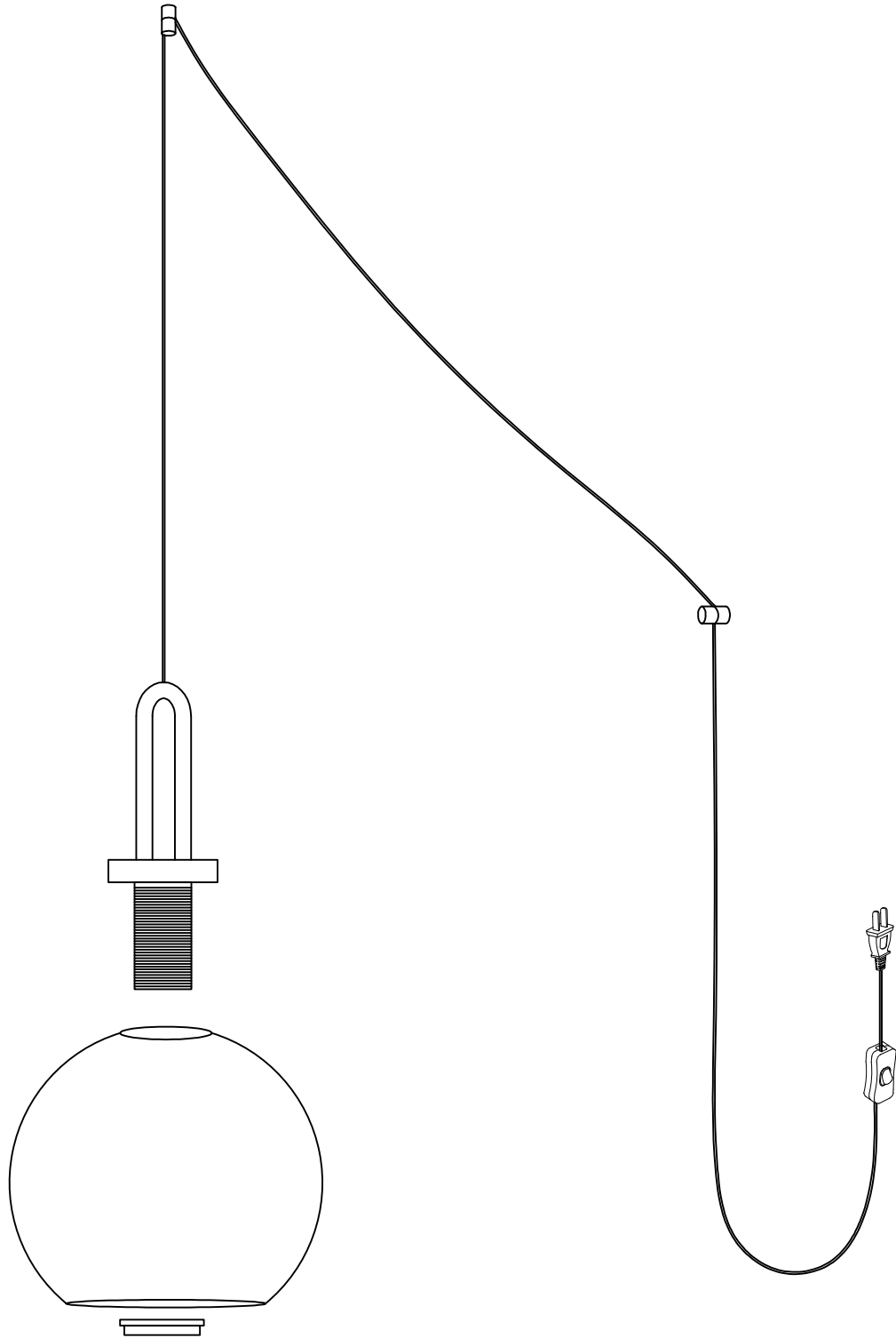
Use screws to fix the upper part of the small ceiling cover to the ceiling and wall

2



Insert the wire and twist it into the lower part of the small ceiling cover to fix it

3



Installing light source and lampshade