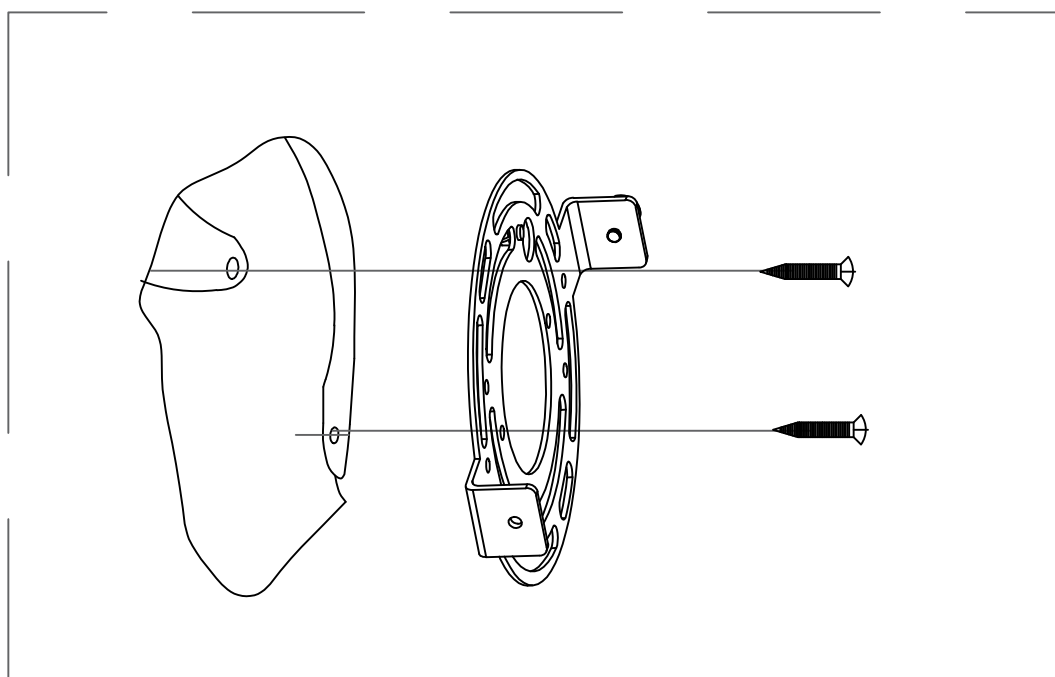


1



Screw the hanging plate to the wall

# 2

The side screws fix the lamp body to the ceiling plate

