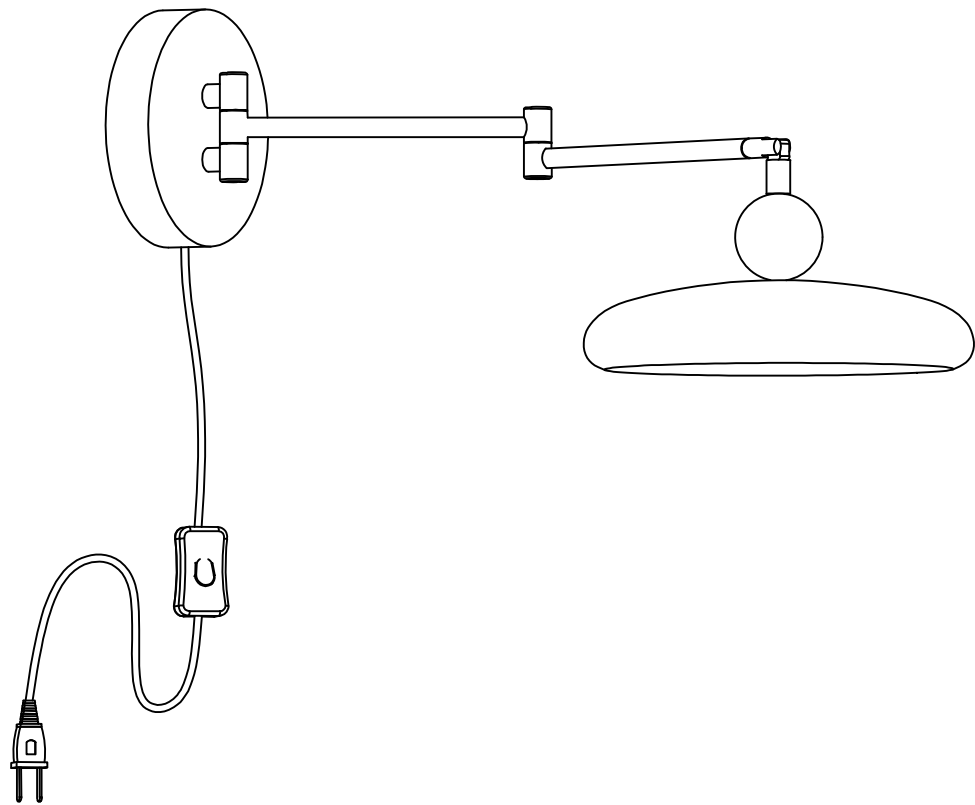
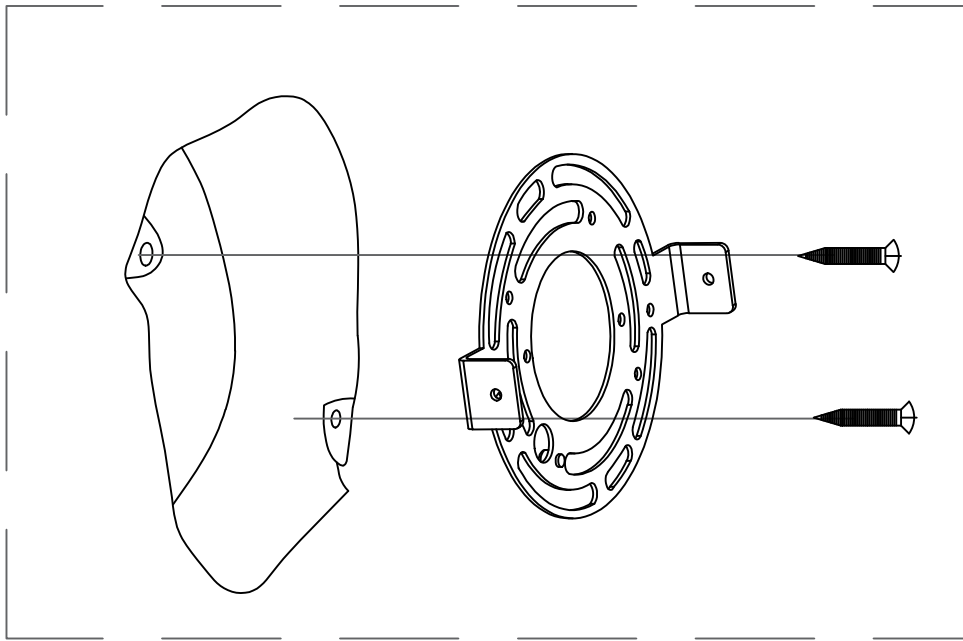


Lola Plug-in Wall Lamp

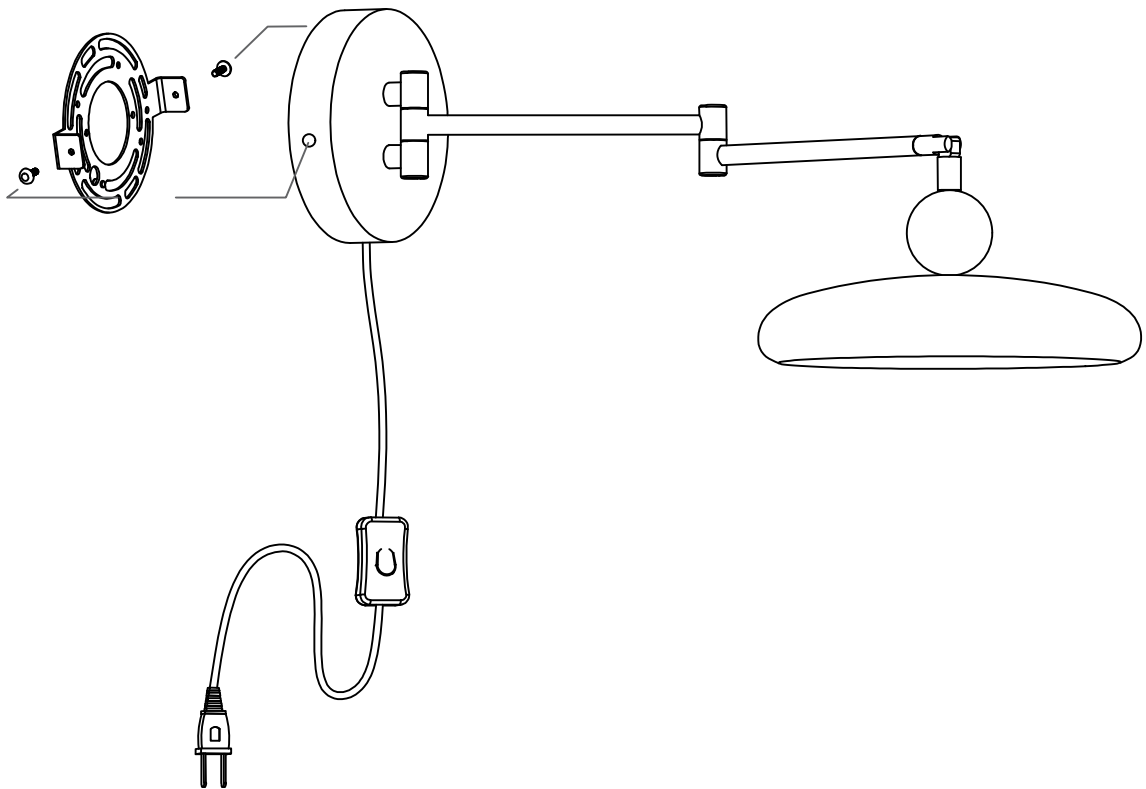


1



Fix the hanging plate to the wall with screws

2



The side screws fix the lamp body to the hanging plate