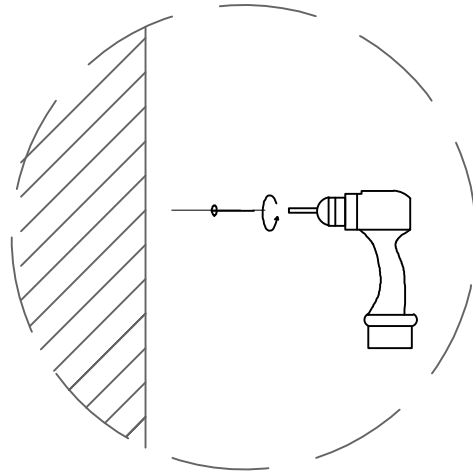
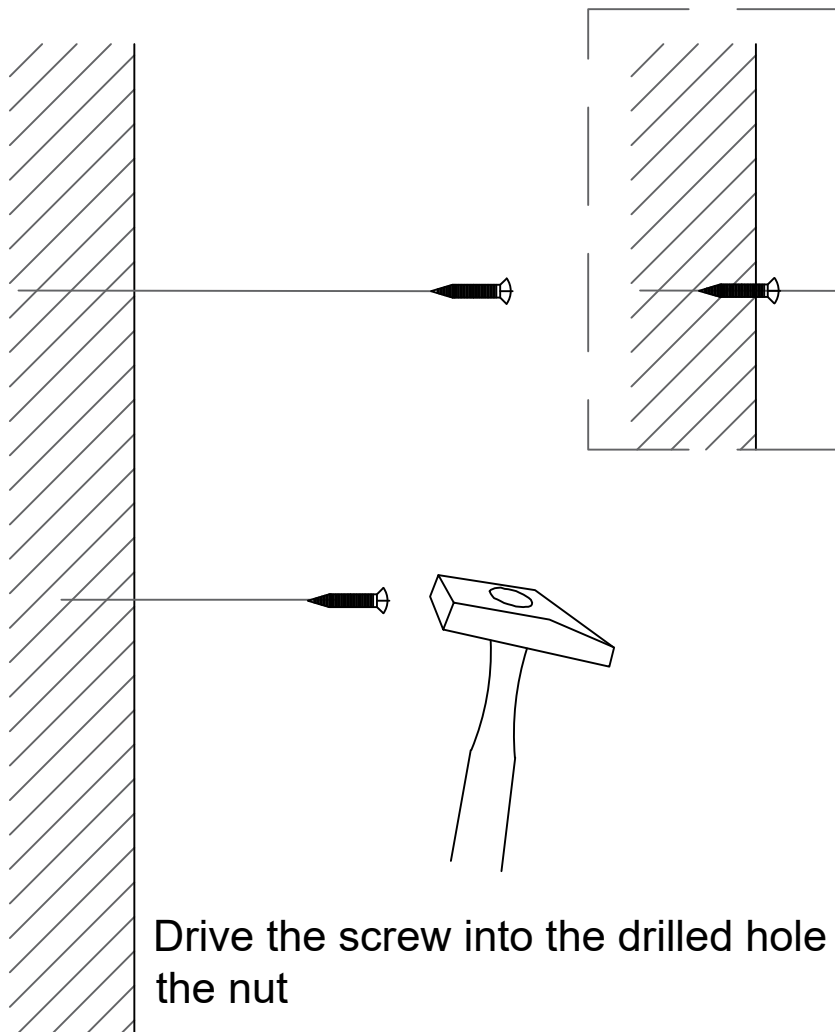


1

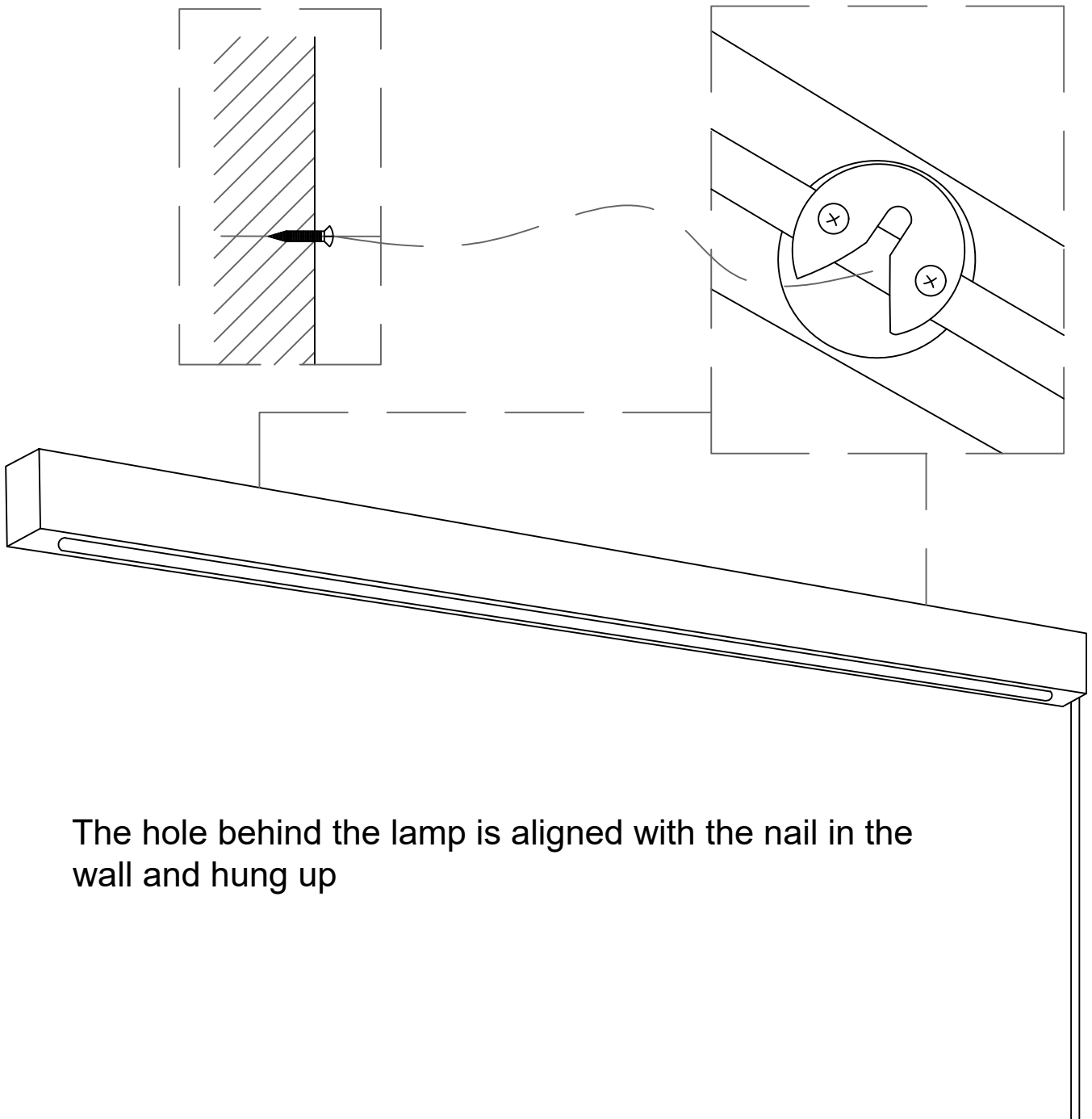


Set the distance according to the hole position and drill holes in the wall



Drive the screw into the drilled hole and leak the nut

2



The hole behind the lamp is aligned with the nail in the wall and hung up