

INSTALLATION INSTRUCTIONS

CAUTION

Turn off the power to the main circuit panel before starting.

CAUTION

The light source for this product is a non-replaceable LED. Do not disassemble the product, as the LED may damage your eyes.

Do not immerse in water.



WARNINGS

Any changes or modifications not expressly approved by the party responsible for compliance may invalidate the user's right to operate the device.

IMPORTANT SAFETY

This product uses a polarized plug (one prong is wider than the other) to reduce the risk of electric shock. This plug can only be inserted into a polarized socket in one orientation. If the plug cannot be fully inserted into the socket, reverse the plug. If it still cannot be inserted, contact a qualified electrician. Never use an extension cord unless the plug can be fully inserted. Do not attempt to disable the safety features of the polarized plug. Do not modify the plug.

CAUTION

To prevent electric shock, align the wide prongs of the plug with the wide slot of the socket and insert it fully.



WARNINGS

Failure to follow assembly instructions may result in a fire or electric shock hazard.



WARNINGS

Different materials require different fittings. Always select screws and plugs specifically matched to the material.



WARNINGS

Failure to follow assembly instructions may result in a fire or electric shock hazard.



WARNINGS

Choking hazard. Keep the power cord at least 3 feet away from cribs, bassinets, and toddler beds.



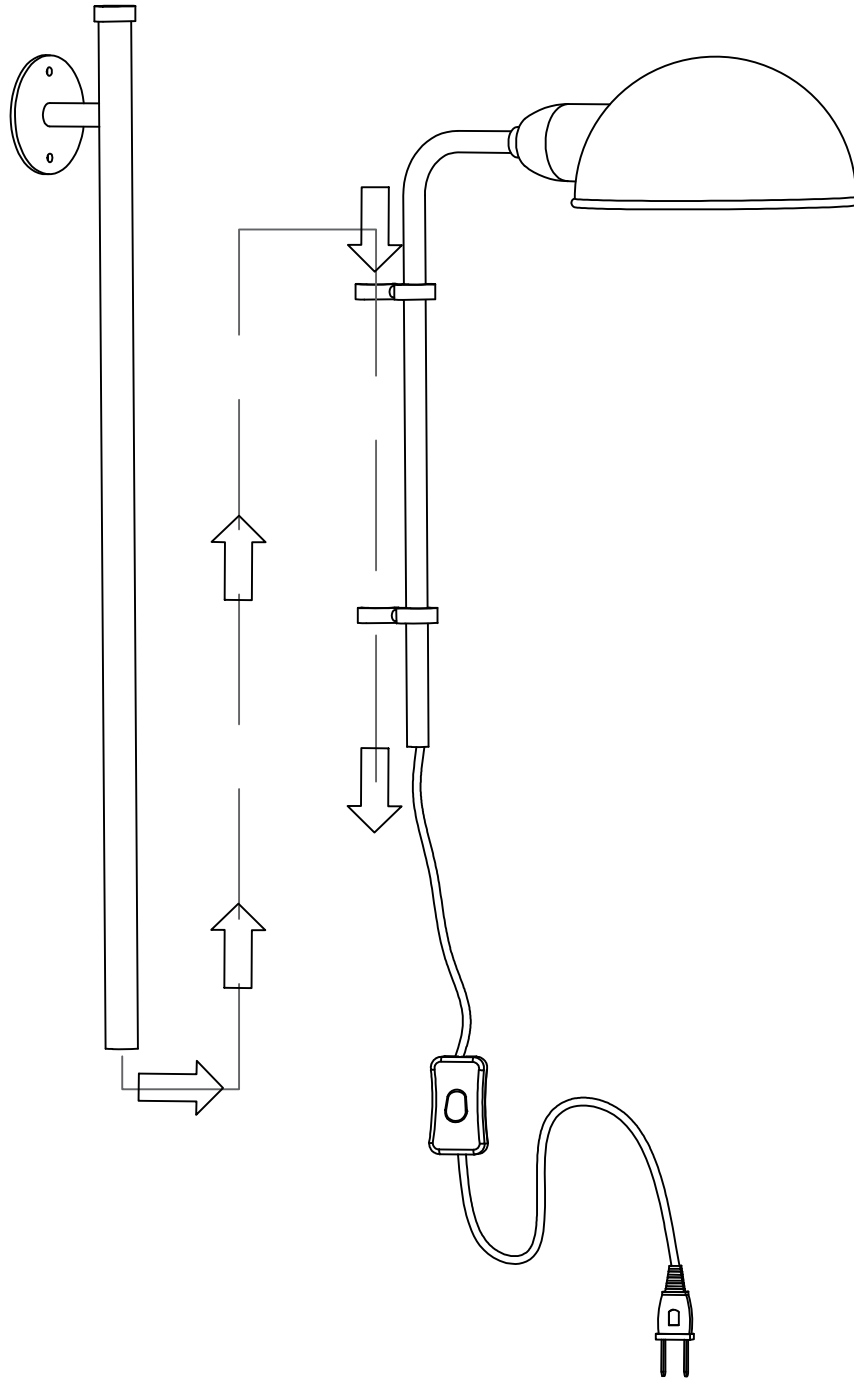
CARE AND MAINTENANCE

Handle with Care: Please exercise caution during assembly and cleaning to avoid scratches or breakage.

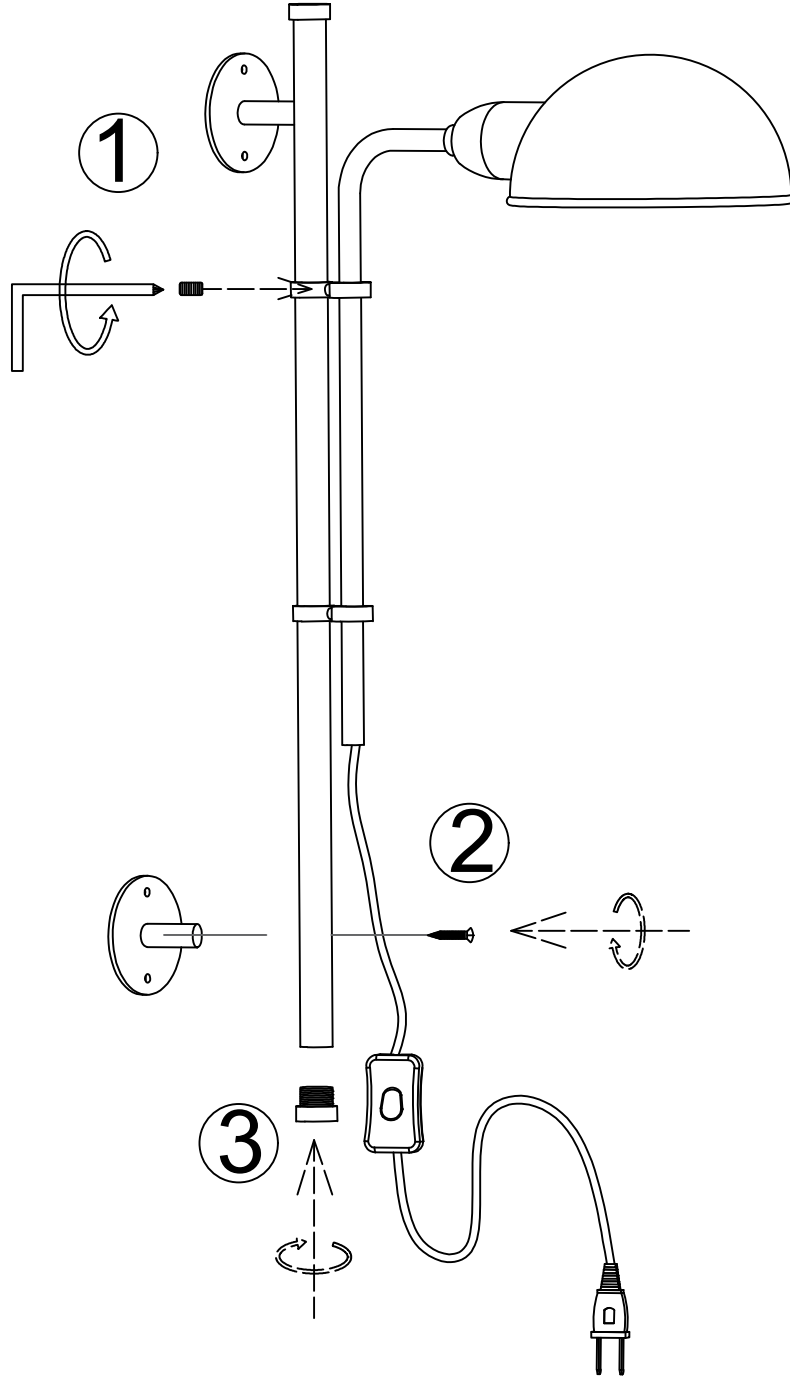
Cleaning Instructions: Do not use any chemical solvents or abrasive cleaners on the lampshade, as they may damage the finish. Use only a soft, dry cloth to remove dust.

THIS PRODUCT IS NOT A TOY AND HAS NO PLAY VALUE.

1



2



3

