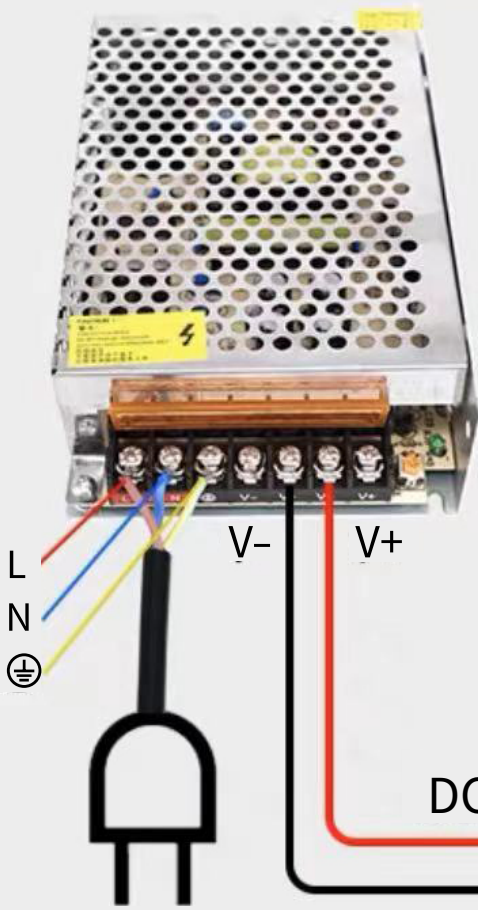


If you are using a wall knob dimmer, refer to this electrical wiring diagram.

Power management driver

1



Knob Dimmer

2



LED

3



DC 12V-24V

IN 110-240V

V- V+