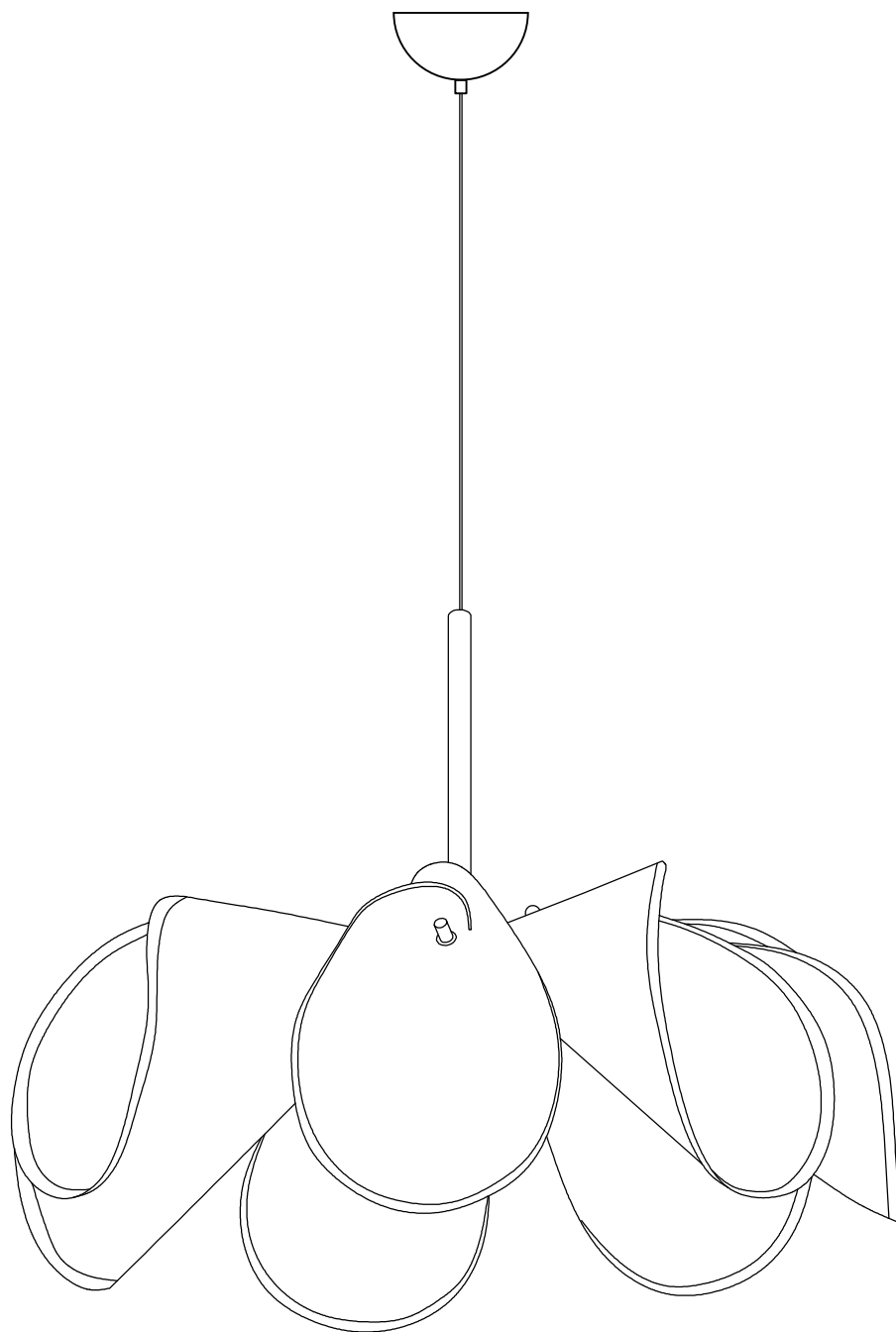
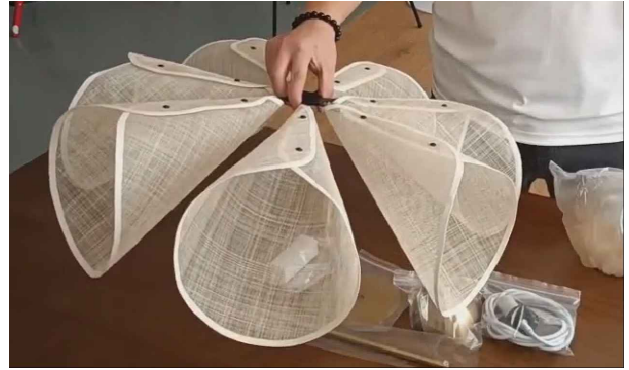


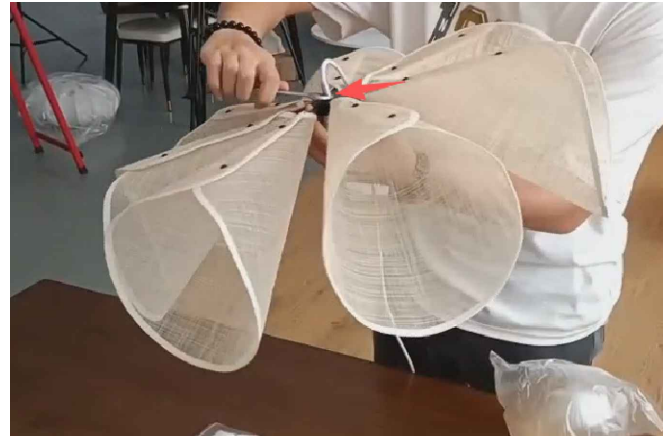
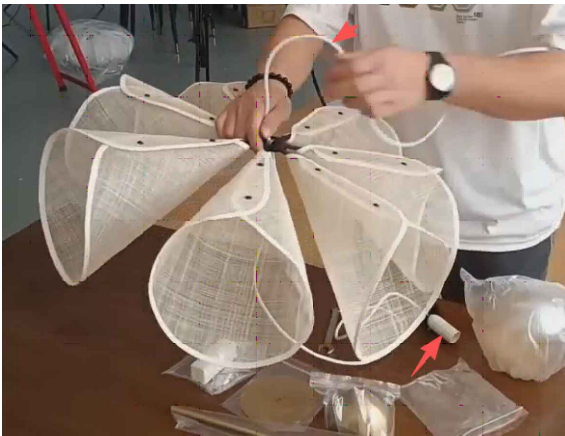
Seraphina Loom Pendant Lamp



1



The lampshade is locked on the lamp arm



The lamp head wire is passed through the lamp body and then twisted with a nut



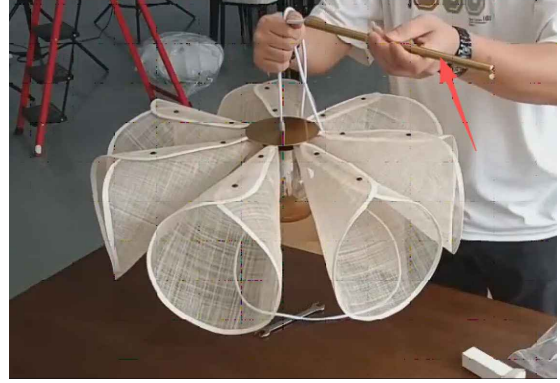
Install the light source

Twist into the lampshade

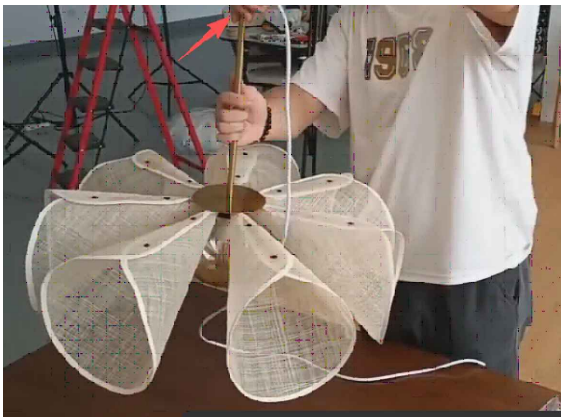
2



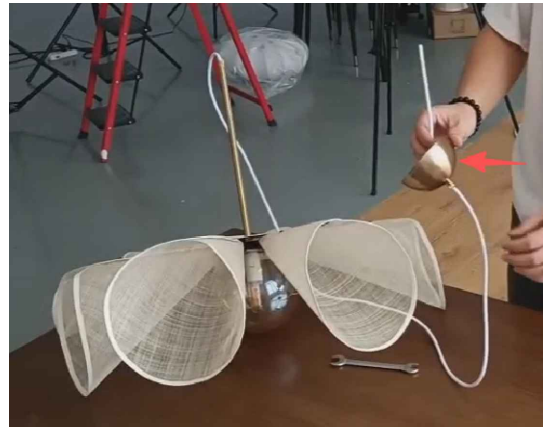
Put on the disc



Slip into the straight pipe

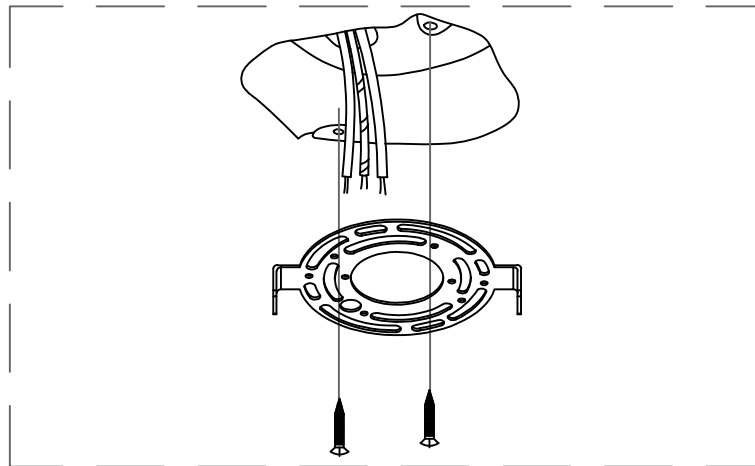


Tighten the straight pipe

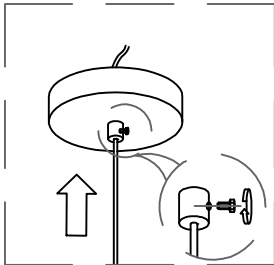


The wire runs through the ceiling disc

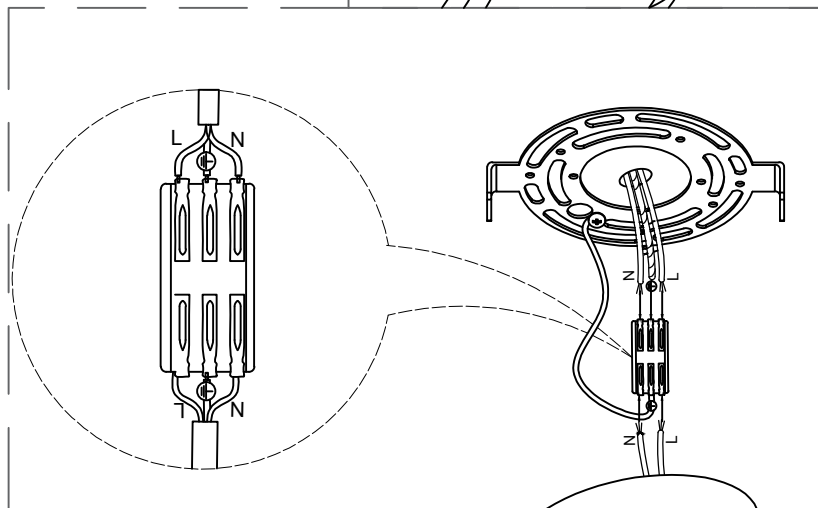
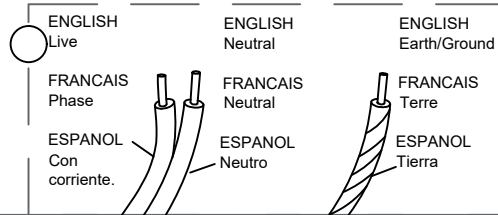
3



Fasten the hanging board to the ceiling with screws

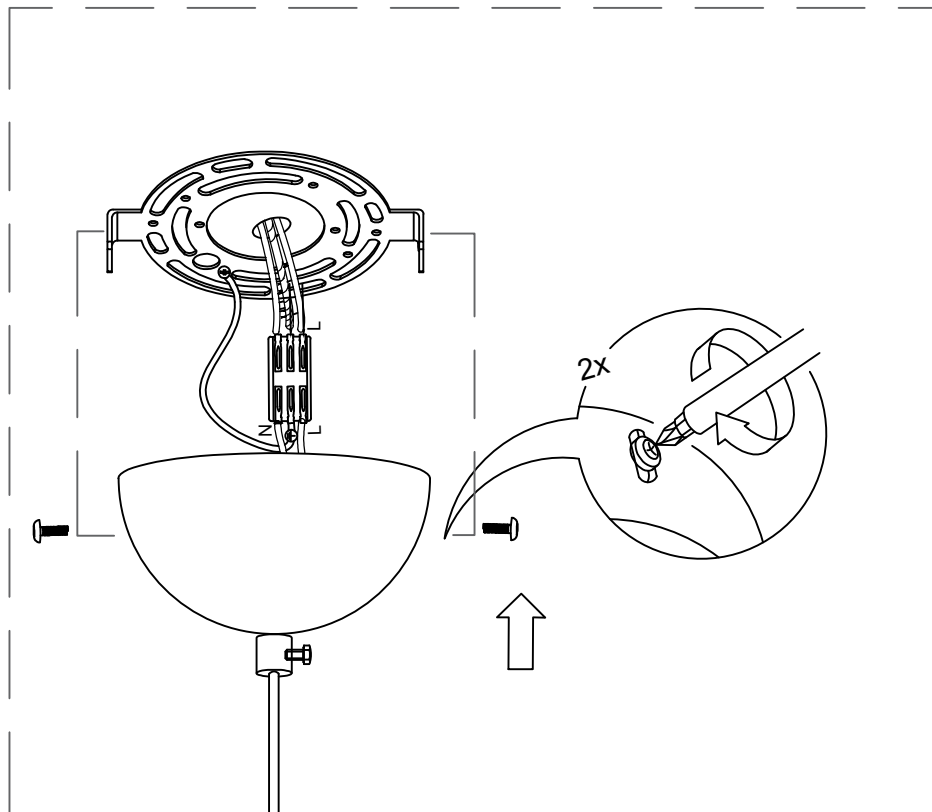


After adjusting the line length, fix it with screws.



The wires in the home are connected to the wires in the lamps through the wire terminals

4



The side screws fix the lamp body to the ceiling plate