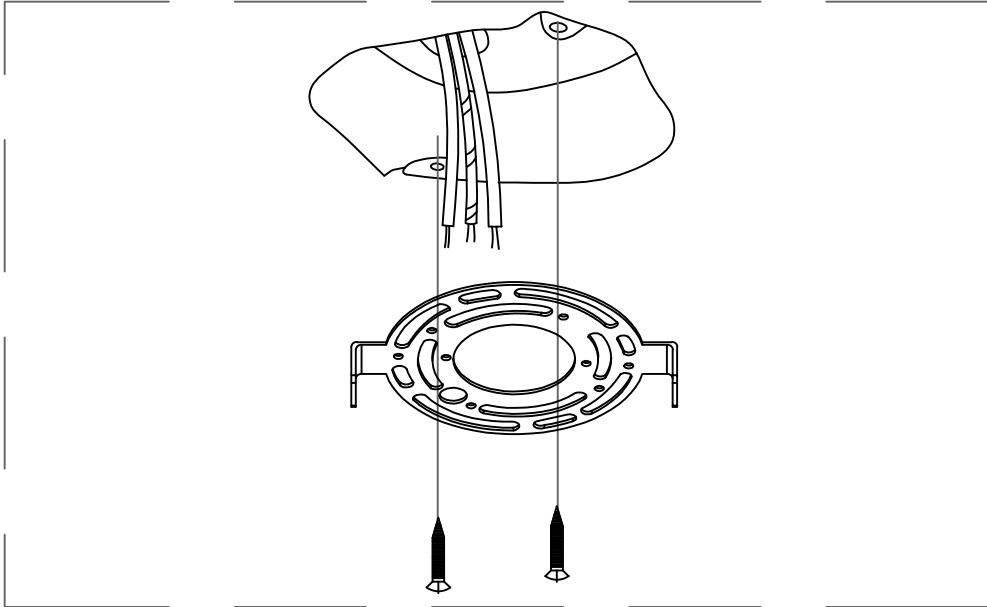
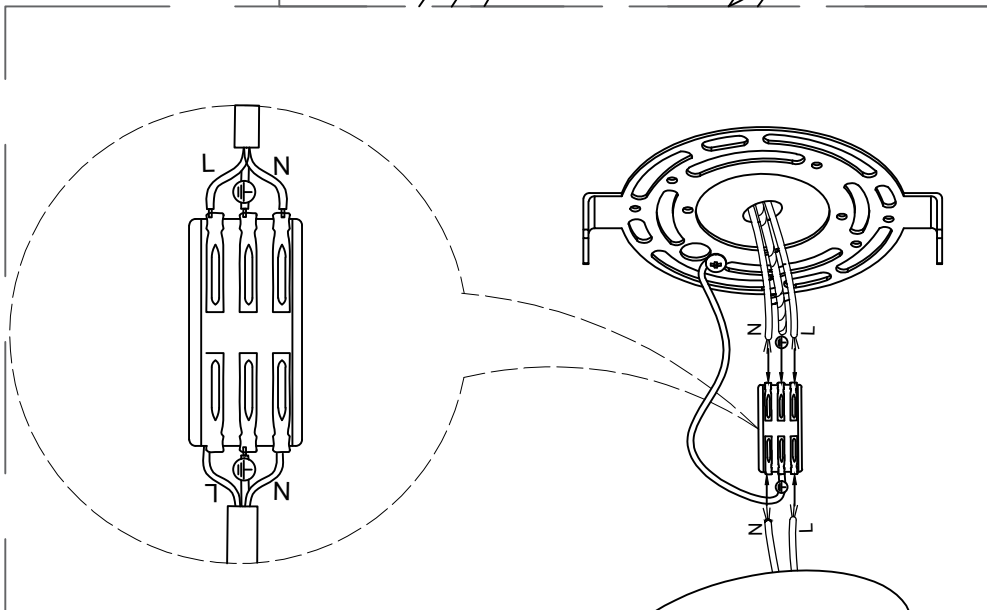
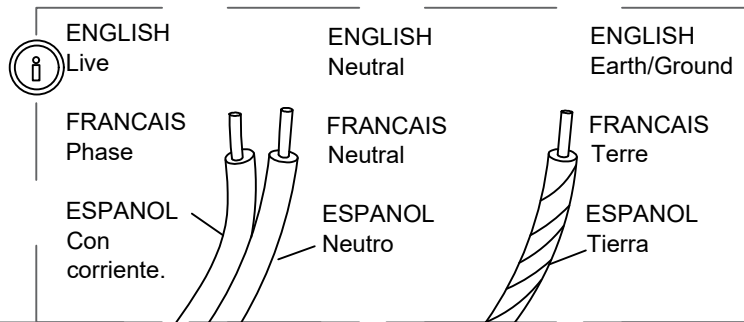


1

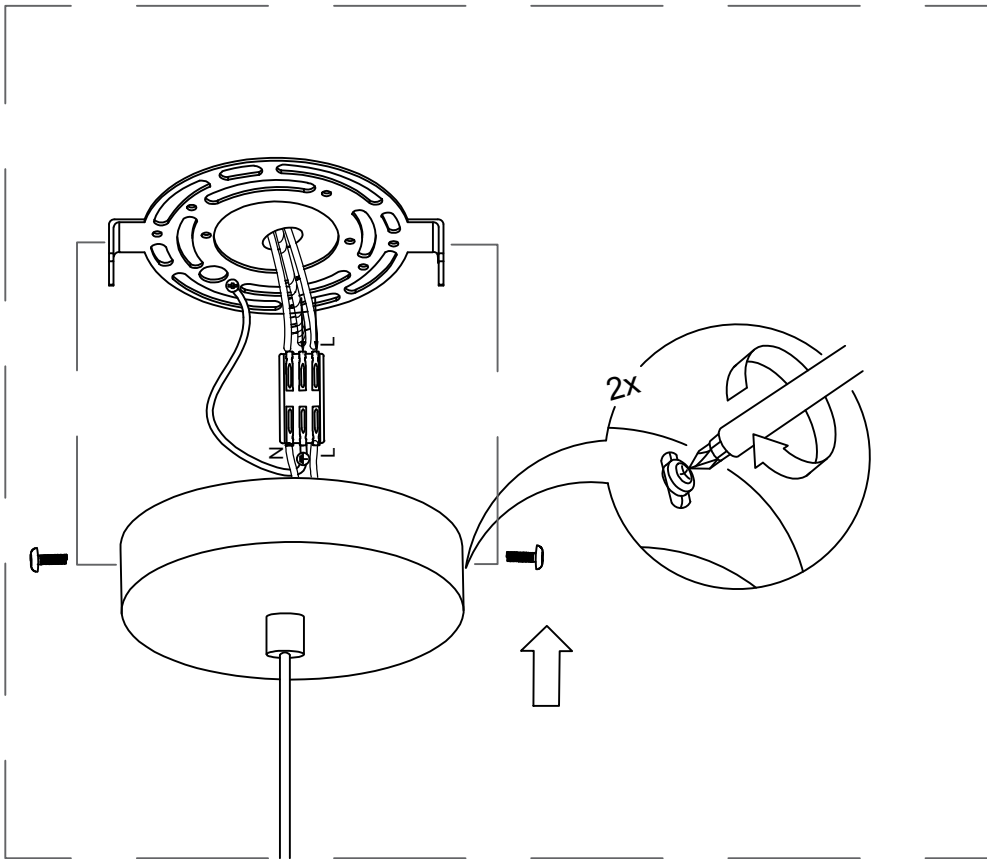


Fasten the hanging board to the ceiling with screws



The wires in the home are connected to the wire terminals

2



The side screws fix the lamp body to the ceiling plate